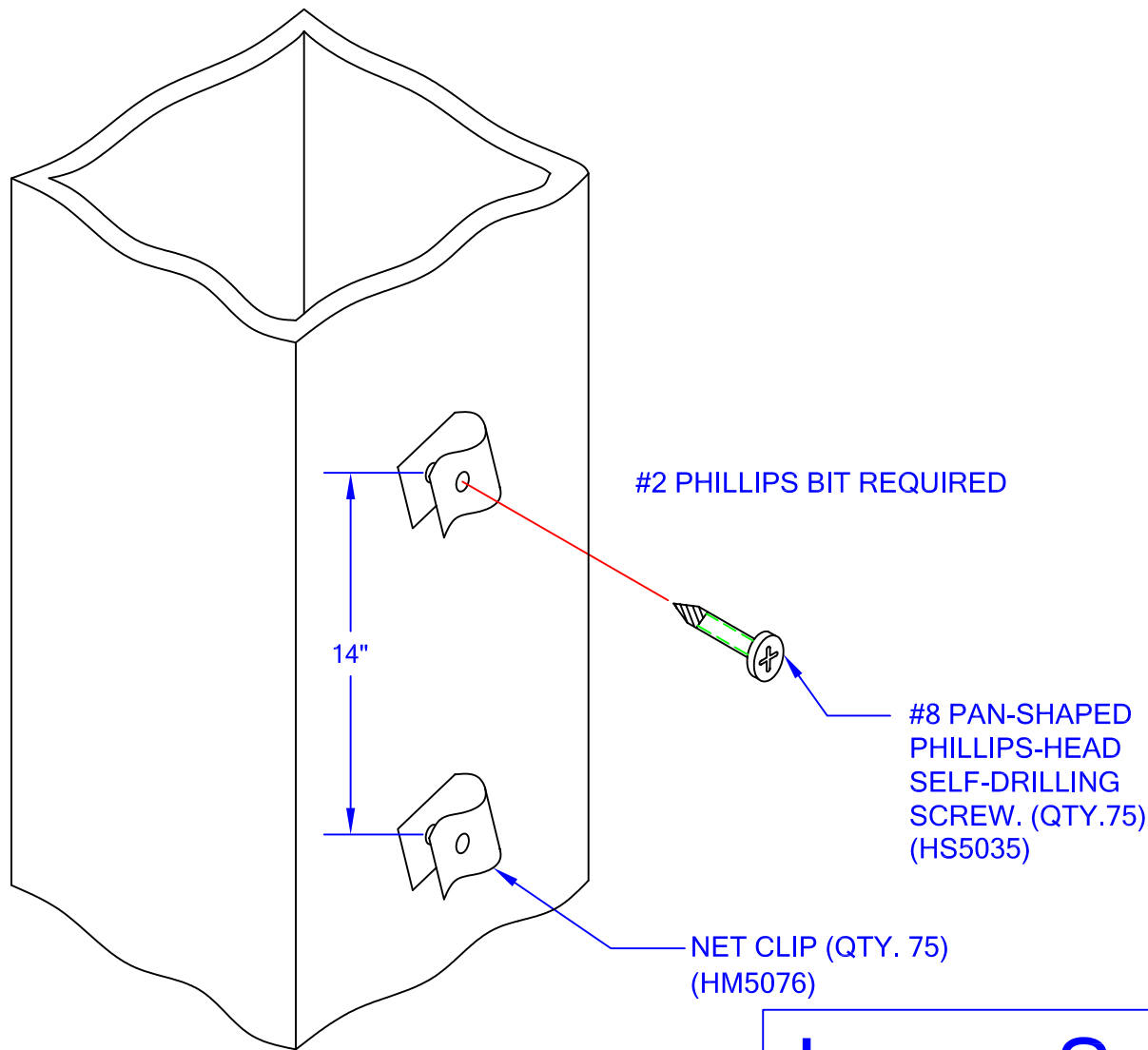


## ASSEMBLY TYPICAL FOR UPRIGHTS AND CROSSBARS



## ASSEMBLY INSTRUCTIONS

1) FOR BEST RESULTS, USE AN ELECTRIC POWERED HAND-HELD SCREWDRIVER WITH A #2 PHILLIPS BIT. ROUGHLY LAY OUT THE PLACEMENT OF EACH NET CLIP 14" ON CENTER OF THE REAR SIDE OF EACH UPRIGHT AND CROSSBAR.

2) PLACE A SELF-DRILLING SCREW ONTO THE #2 PHILLIPS BIT AND THROUGH THE MOUNTING HOLE OF THE NET CLIP. POSITION THE TIP OF THE SCREW IN THE PROPER LOCATION AND DRIVE IT FULLY INTO THE MATERIAL. REPEAT THE PROCESS FOR ALL REMAINING NET

EACH UPRIGHT- SEVEN CLIPS

EACH CROSSBAR-TWENTY CLIPS

# Jaypro Sports

976 Hartford Turnpike  
Waterford, CT 06385 USA  
(800)243-0533  
(800)988-3363 Fax  
www.jaypro.com

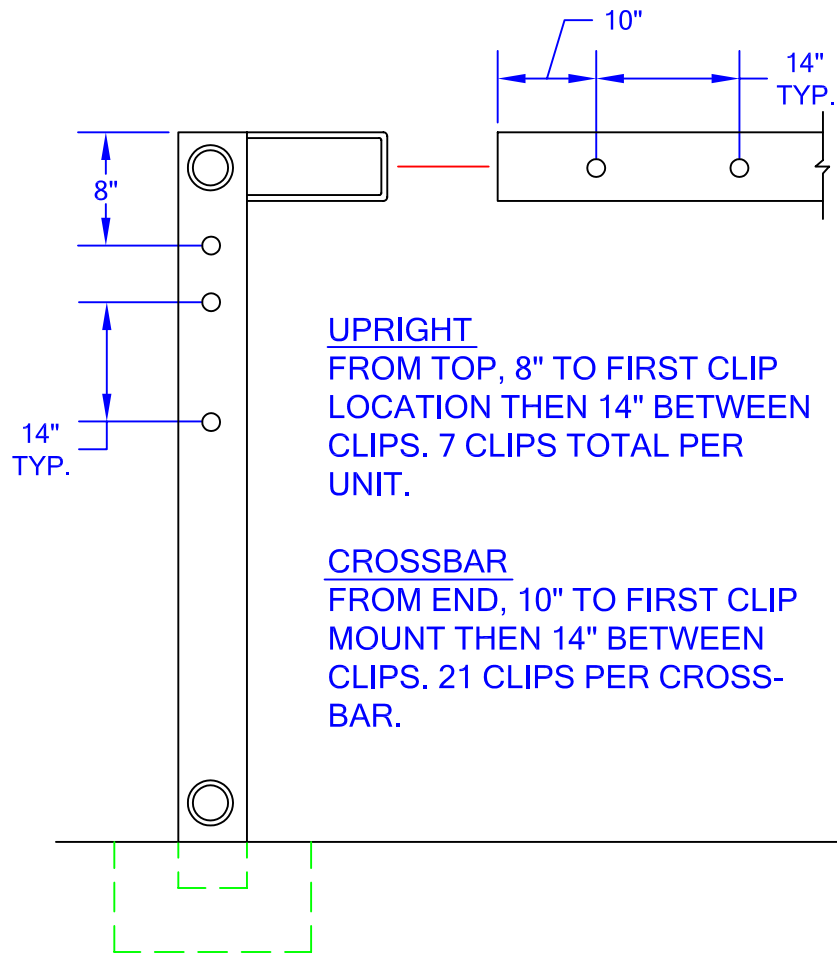
MODEL NO.:  
**SNT-200**

PRODUCT NAME:  
**SOCCER NET TIES**

DRAWN BY: JAC

EFFECTIVE DATE:  
6-2-03

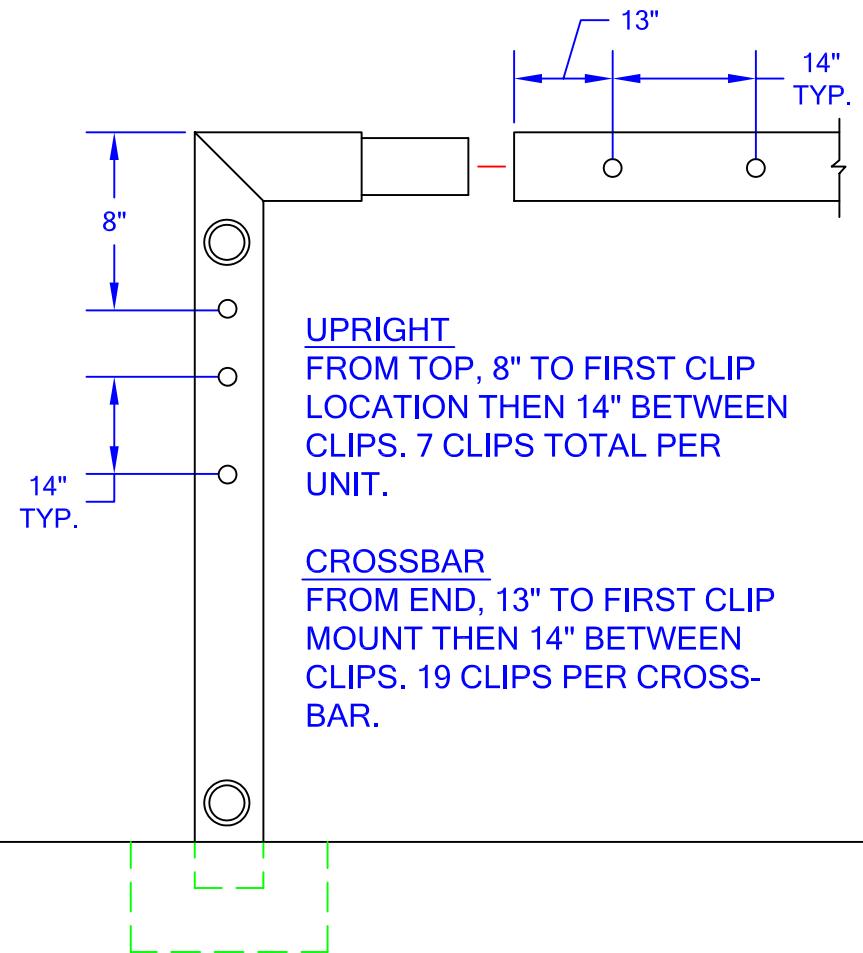
NET CLIP MOUNTING LAY-OUT DIAGRAM FOR THE FOLLOWING MODELS: SGP-760, SGP-728, SGP-730, SGP-730EB, SGP-100, FBSC-200, SGP-3000



UPRIGHT  
FROM TOP, 8" TO FIRST CLIP LOCATION THEN 14" BETWEEN CLIPS. 7 CLIPS TOTAL PER UNIT.

CROSSBAR  
FROM END, 10" TO FIRST CLIP MOUNT THEN 14" BETWEEN CLIPS. 21 CLIPS PER CROSSBAR.

NET CLIP MOUNTING LAY-OUT DIAGRAM FOR THE FOLLOWING MODELS: SGP-400, SGP-550, SGP-3500



UPRIGHT  
FROM TOP, 8" TO FIRST CLIP LOCATION THEN 14" BETWEEN CLIPS. 7 CLIPS TOTAL PER UNIT.

CROSSBAR  
FROM END, 13" TO FIRST CLIP MOUNT THEN 14" BETWEEN CLIPS. 19 CLIPS PER CROSSBAR.

# Jaypro Sports

976 Hartford Turnpike  
Waterford, CT 06385 USA  
(800)243-0533  
(800)988-3363 Fax  
www.jaypro.com

MODEL NO.:  
**SNT-200**

PRODUCT NAME:  
NET CLIP INSTALLATION  
DIAGRAM

DRAWN BY: JAC

EFFECTIVE DATE:  
11-20-03