

Heavy Duty Storage Cabinets – 8000 Series Assembly Instructions

Thank you for selecting Salsbury's heavy duty storage cabinets. We are confident that the quality and construction of the cabinets will prove to be a good investment. Individual job conditions will dictate whether the storage cabinets must be anchored to the wall, the floor, or both and the type of fasteners to use.

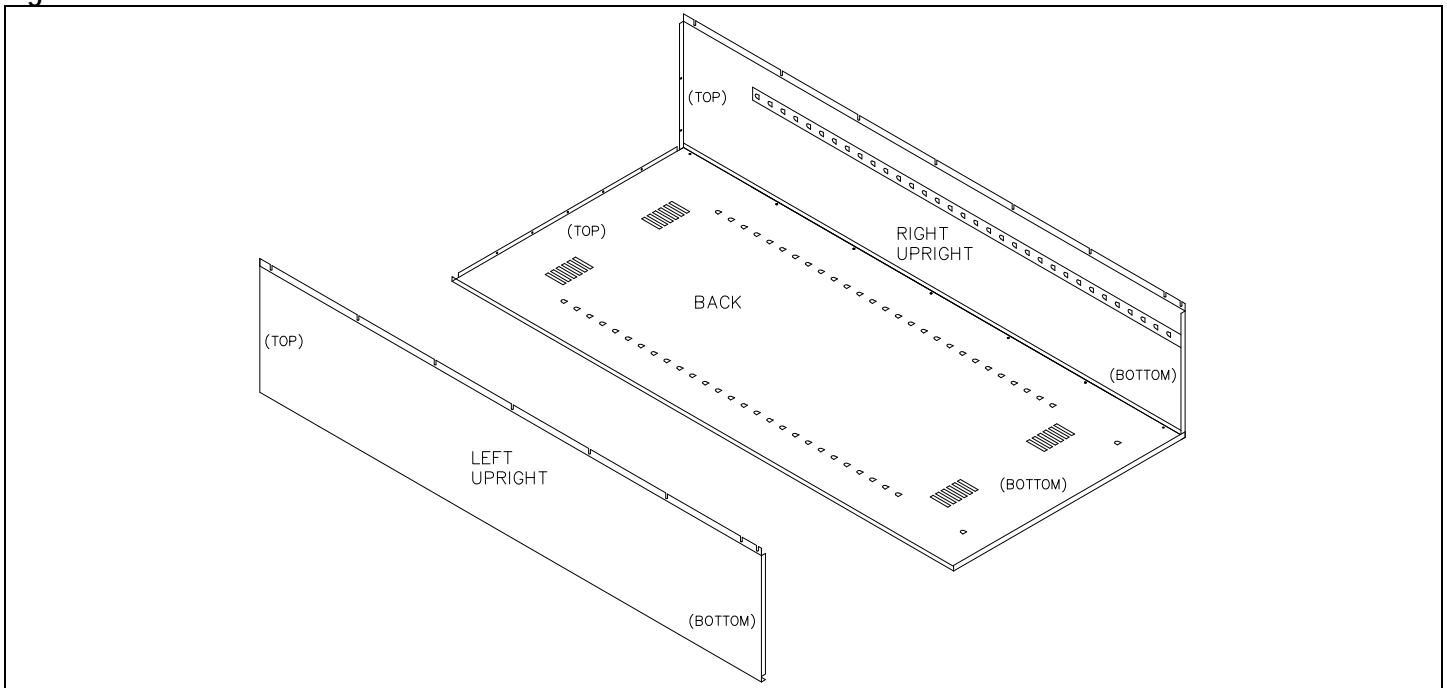
General Notes

1. This document provides instructions and illustrations for the heavy duty standard storage cabinets. For the wardrobe, combination and counter height storage cabinets, use these instructions as a guide.
2. All the screwed connections should initially be only finger tight. Square the cabinet assembly before tightening all the screwed connections.

Typical Assembly – Heavy Duty Standard Storage Cabinet

1. Lay the back panel down on a flat surface with the flanges up. The end with holes is the top end. The end with no holes is the bottom end. See Figure 1.

Figure 1

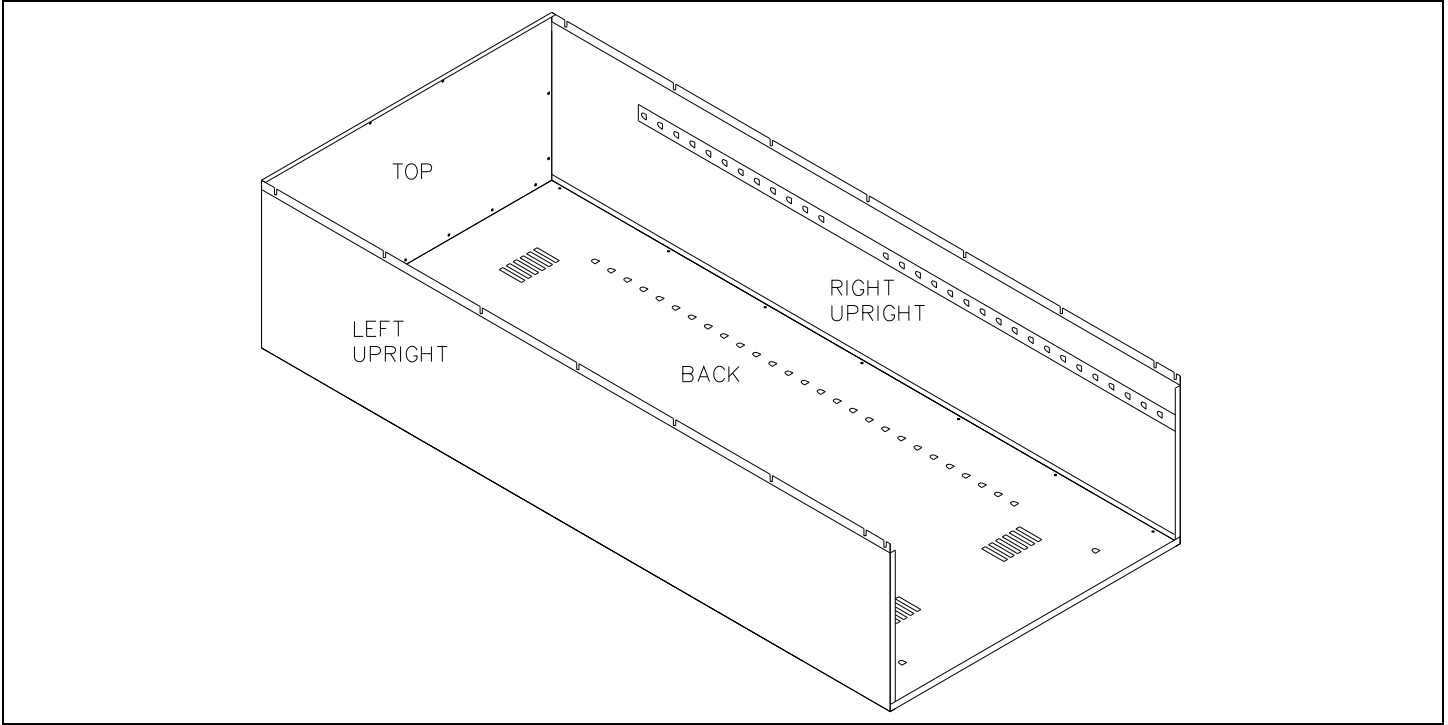


2. Place the right upright along the right side of the back panel then slide the back panel into the flange of the right upright. See Figure 1. The lanced shelf supports should be towards the front. Align holes then install screws from the rear of the back panel. Thread nuts onto the screws.
3. Repeat with the left upright.
4. Insert the top underneath the top flanges of the back panel, right upright, and left upright making sure the number of holes on the rear or the top match the number of holes on the top of the back panel. Attach the top to the back panel, right upright and left upright by aligning holes then install screws from the outside of the cabinet. Thread nuts onto the screws. See Figure 2.

SALSBURY INDUSTRIES

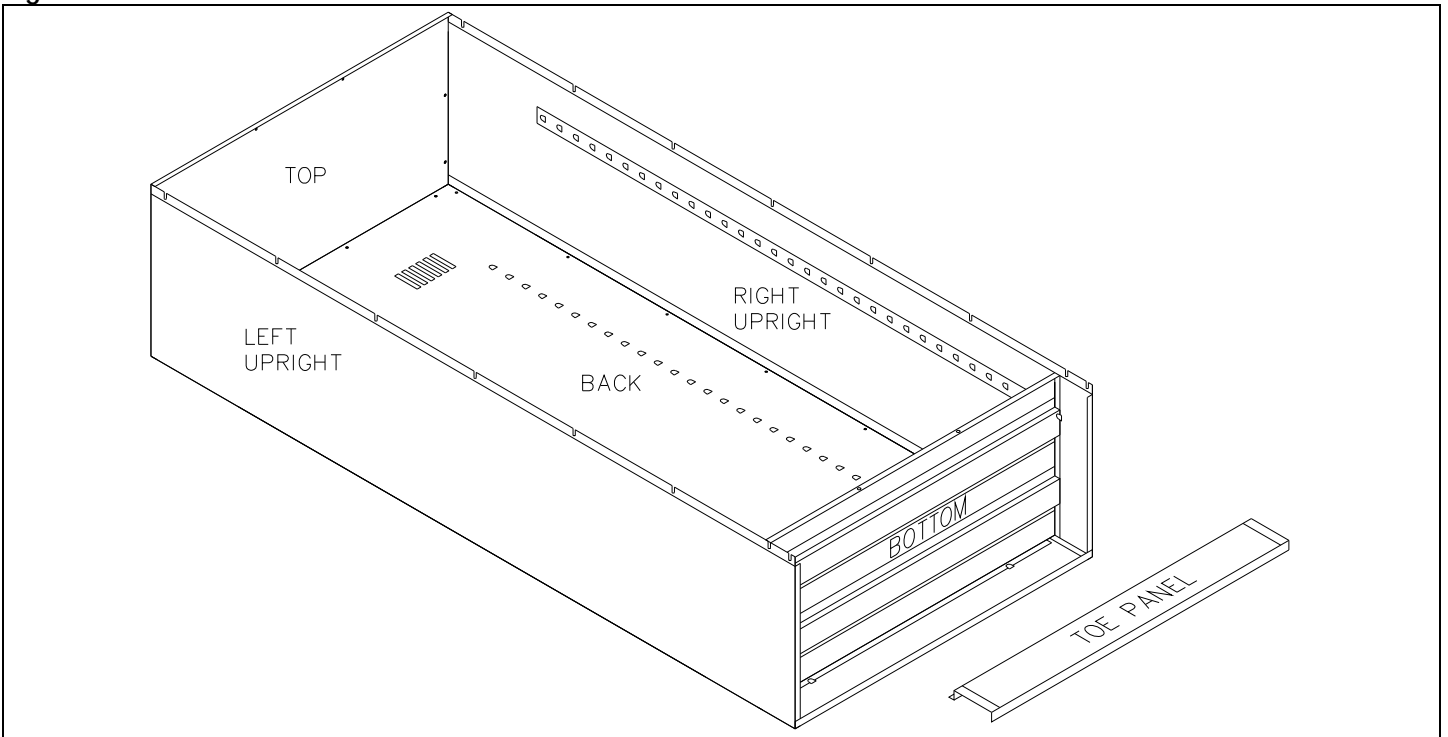
1010 East 62nd Street, Los Angeles, CA 90001-1598
Phone: 1-800-562-5377 Int'l Phone: 323-846-6700
Fax: 1-800-562-5399 Int'l Fax: 323-846-6800
www.lockers.com engineering@lockers.com

Figure 2



5. Place the bottom between the uprights and install into the lowermost set of lanced shelf supports. See Figure 3.

Figure 3

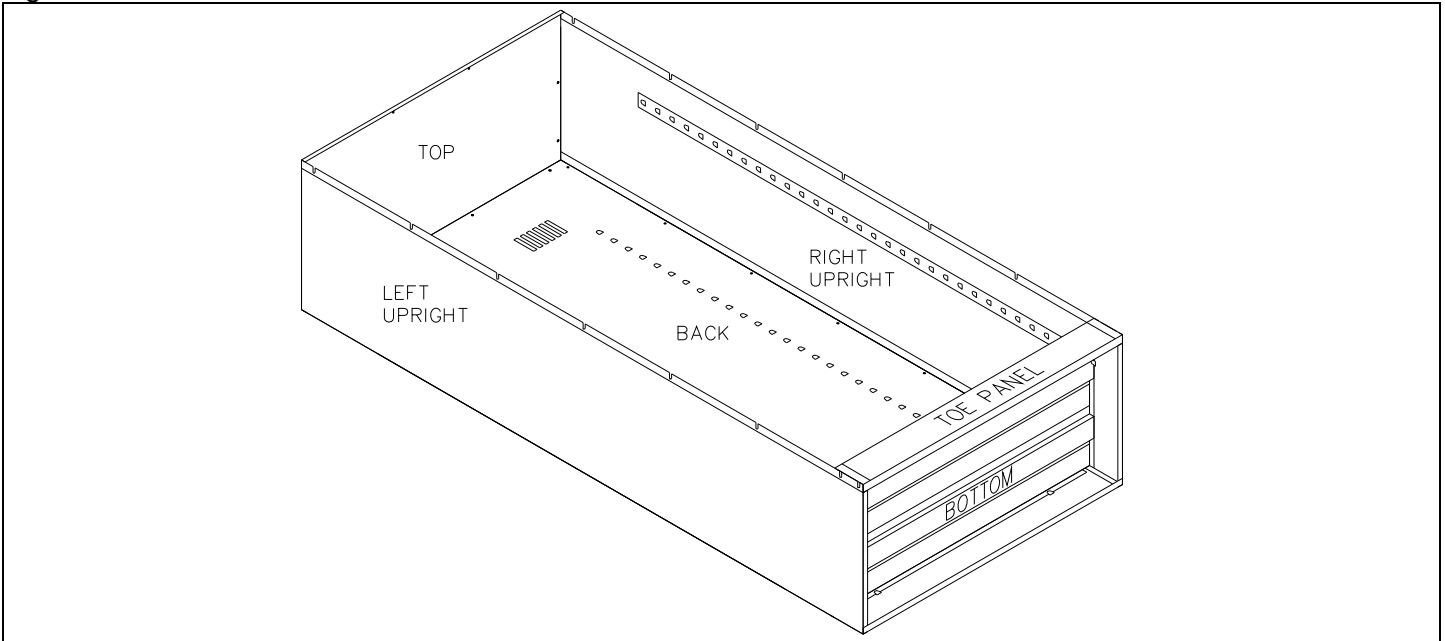


SALSBURY INDUSTRIES

1010 East 62nd Street, Los Angeles, CA 90001-1598
Phone: 1-800-562-5377 Int'l Phone: 323-846-6700
Fax: 1-800-562-5399 Int'l Fax: 323-846-6800
www.lockers.com engineering@lockers.com

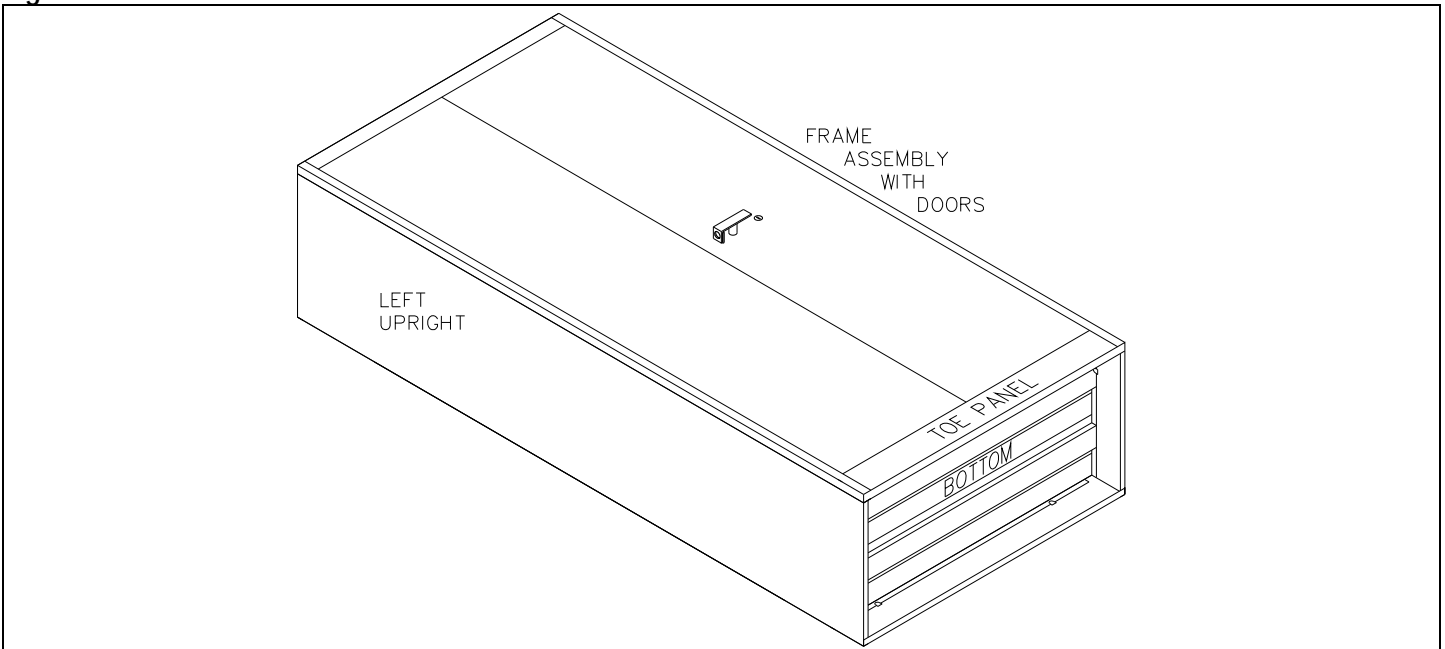
6. Place the toe panel between the lower front corners of the uprights. Attach to the uprights by installing screws from the outside of the uprights. Attach to the bottom by installing screws from inside the cabinet. Thread nuts onto the screws. See Figures 3 and 4.

Figure 4



7. Place the frame assembly with doors over, and outside, the edges of the uprights and the top. Fasten the frame assembly to the uprights using washers and nuts on each hidden stud. Fasten the frame assembly to the top by installing screws from outside the cabinet. Thread nuts onto the screws. See Figures 4 and 5.

Figure 5

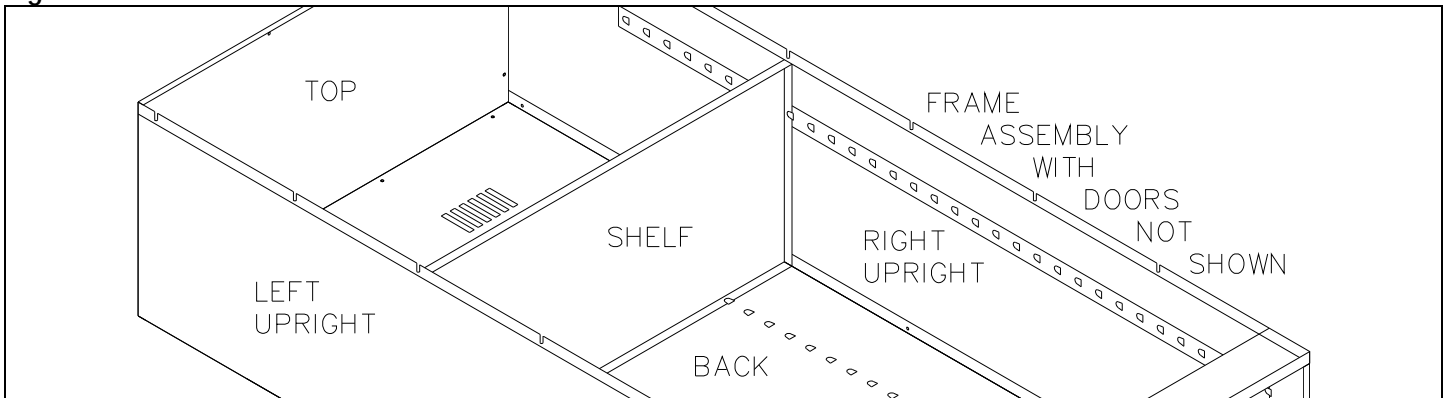


SALSBURY INDUSTRIES

1010 East 62nd Street, Los Angeles, CA 90001-1598
Phone: 1-800-562-5377 Int'l Phone: 323-846-6700
Fax: 1-800-562-5399 Int'l Fax: 323-846-6800
www.lockers.com engineering@lockers.com

8. Open the Doors. Install shelves into the lanced shelf supports on the side and back walls of the cabinet. See Figure 6. Set the cabinet in its upright position. The assembly is complete.

Figure 6



SALSBURY INDUSTRIES

1010 East 62nd Street, Los Angeles, CA 90001-1598
Phone: 1-800-562-5377 Int'l Phone: 323-846-6700
Fax: 1-800-562-5399 Int'l Fax: 323-846-6800
www.lockers.com engineering@lockers.com