

Heavy Duty Plastic Lockers – 40000 Series

Locker Installation Instructions

Thank you for selecting 40000 Series Heavy Duty Plastic Lockers. We are confident that the quality and construction of the lockers will prove to be a good investment. These instructions are intended to assist you in the assembly, placement, and anchoring of your lockers. Individual job conditions will dictate whether the lockers must be anchored to the wall, the floor, or both.

Separate parts from packaging and make sure all parts are accounted for before discarding any packaging material. If any parts are missing, do not begin installation until you obtain the missing parts.

Lockers should be installed in a climate-controlled environment and shielded from direct sunlight. All lockers must be either secured against a wall or installed back-to-back (for island configuration).

Make sure all floors and walls are clean and smooth. Remove loose impediments, such as protruding nails, and other debris which could affect installation. The lockers must be square and level and floor supported or they will not operate properly. A locker that is square may not be level, so be sure to check both.

Review your locker layout drawings and verify the number of lockers and components before beginning installation.

Carefully lift lockers at the base when moving and positioning. Do not drag the lockers.

LOCKER BASES MUST BE SQUARE AND LEVEL, AND ANCHORED TO THE FLOOR BEFORE THE LOCKERS ARE INSTALLED. THE LOCKERS WILL NOT OPERATE PROPERLY IF THE BASE IS NOT SQUARE AND LEVEL AND NOT FLOOR-SUPPORTED. A LOCKER BASE THAT IS SQUARE MAY NOT BE LEVEL, SO BE SURE TO CHECK BOTH.

FAILURE TO COMPLY WITH THESE INSTRUCTIONS MAY RESULT IN PERSONAL INJURY AND/OR PROPERTY DAMAGE AND WILL VOID THE LOCKER WARRANTY.

Tools required: Tape measure --- 9/32" drill bit --- hammer drill for drilling into concrete --- 6' level and shims --- power drill --- Phillips driver bit --- clamps --- 3/16" masonry drill bit (6" long minimum) --- circular saw --- right-angle power drill --- chalk and string.

Hardware included: Angle brackets --- 1/4 x 1-3/4" tapcon screws --- #10 1/2" sheet metal screws.
Tapcon screws are for concrete installations only. Use appropriate fastening hardware when installing lockers to surfaces other than concrete.

The following tips may be helpful: A string line along the top and bottom of the lockers may be used to help in alignment. If shims are required after locker installation is complete, remove obstructive screws, apply the shims, then replace the screws. Avoid twisting the locker frames when applying shims.

SALSBURY INDUSTRIES

1010 East 62nd Street, Los Angeles, CA 90001-1598

Phone: 1-800-562-5377

Int'l Phone: 323-846-6700

Fax: 1-800-562-5399

Int'l Fax: 323-846-6800

www.lockers.com

engineering@lockers.com

Heavy Duty Plastic Lockers – 40000 Series

Locker Base Installation Instructions

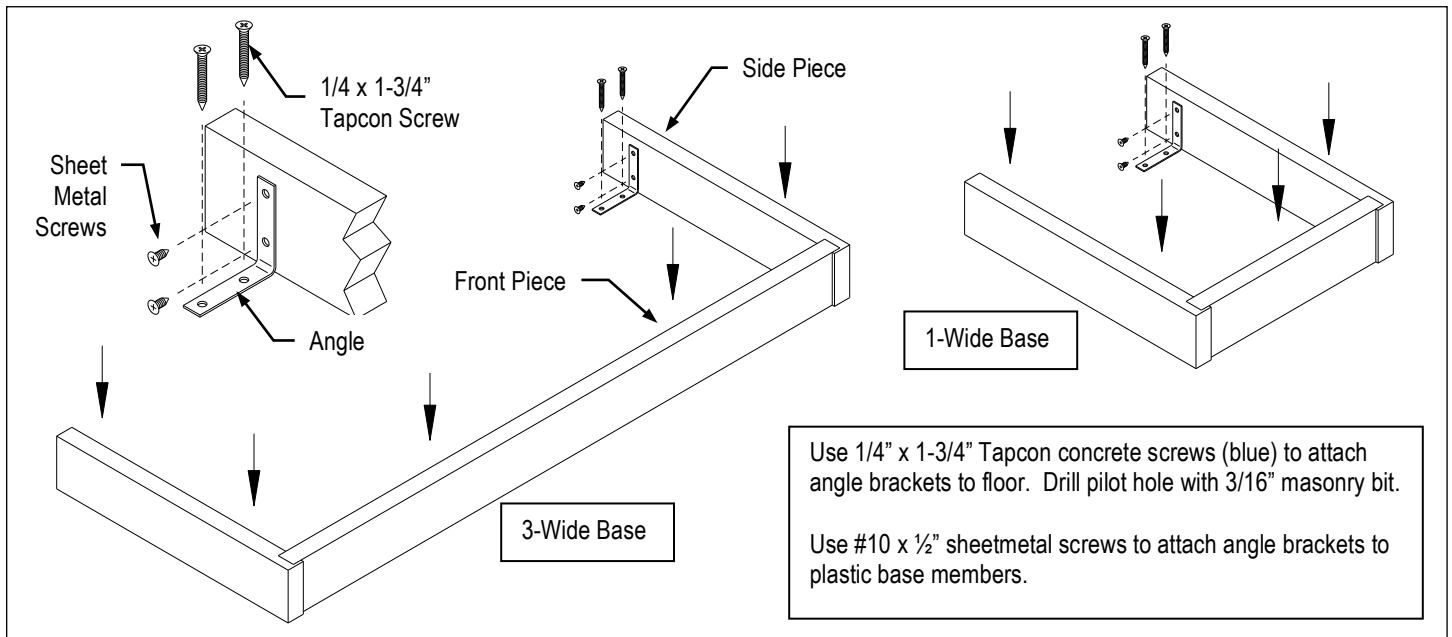
IMPORTANT: Make sure the base is square and level before anchoring to the floor. The base may be square but not level, so be sure to check both. Shim under the base if necessary. This will ensure proper locker operation.

NOTE: The base front pieces are precut to length for 1-wide (12") or 3-wide (36") lockers, and come with slotted base side pieces. The length of the base front pieces may be trimmed during installation by cutting to the desired length. **DO NOT** cut the base side pieces. The side pieces are the correct length for 18" deep lockers.

Each set of base pieces includes a package of angle brackets to attach the base pieces to the floor, 1/4" x 1-3/4" Tapcon screws to fasten the angle bracket to the floor, and #10 x 1/2" sheet metal screws to attach the brackets to the base front and side pieces.

1. Plan the locker layout. Measure and mark placement lines on the floor for the locker bases. One or two lockers will require one or two 1-wide bases. Three or more lockers in a row will require 3-wide bases and perhaps one or two 1-wide bases. As supplied, the bases are 1" wider than the basic 12" wide locker to accommodate two (2) 1/2" thick side panels. As additional lockers and bases are arranged in a row with a side panel at one end or both ends, some of the base front piece(s) must be trimmed by 1" or 1/2" to maintain a flush surface alignment between the end panel and the base side piece. If side panels are not being used, further trimming of the front base pieces may be necessary.
2. Position the base side and front pieces per the floor layout. The ends of the base front pieces fit into the slots in the base side pieces. See the illustration below. Square and level the base front pieces and side pieces using shims as required. If shims are used, place them under the mounting brackets perpendicular to the bracket.
3. Using the applicable mounting hardware supplied, anchor the base pieces to the floor. Use a 3/16" masonry drill bit for the 1/4" x 1-3/4" Tapcon screws. Use at least two (2) angle brackets for each front piece or side piece.

Base Installation



SALSBURY INDUSTRIES

1010 East 62nd Street, Los Angeles, CA 90001-1598

Phone: 1-800-562-5377

Int'l Phone: 323-846-6700

Fax: 1-800-562-5399

Int'l Fax: 323-846-6800

www.lockers.com

engineering@lockers.com

Installation instructions are provided as general guidelines. It is advised that a professional installer be consulted. Salsbury Industries assumes no product assembly or installation liability.

Copyright © 2016 Salsbury Industries. All rights reserved. (Rev. 07, 02/26/2016) Page 2 of 10

Heavy Duty Plastic Lockers – 40000 Series

Locker Installation Instructions

Note: Refer to your layouts for proper locker position. The first locker is usually installed at a corner or at the end of a run.

IMPORTANT NOTE: Make sure each locker is square and level before securing into place. The lockers may be square, but not level, so be sure to check both. Use shims as needed.

1. Position the first locker according to your layouts. Square and level the locker using shims as required. Secure the locker to the wall in two places with the two 1/4" x 1-3/4" Tapcon screws. With the screws centered across the width of the locker, place one near the top and one near the bottom as shown in the illustration below.

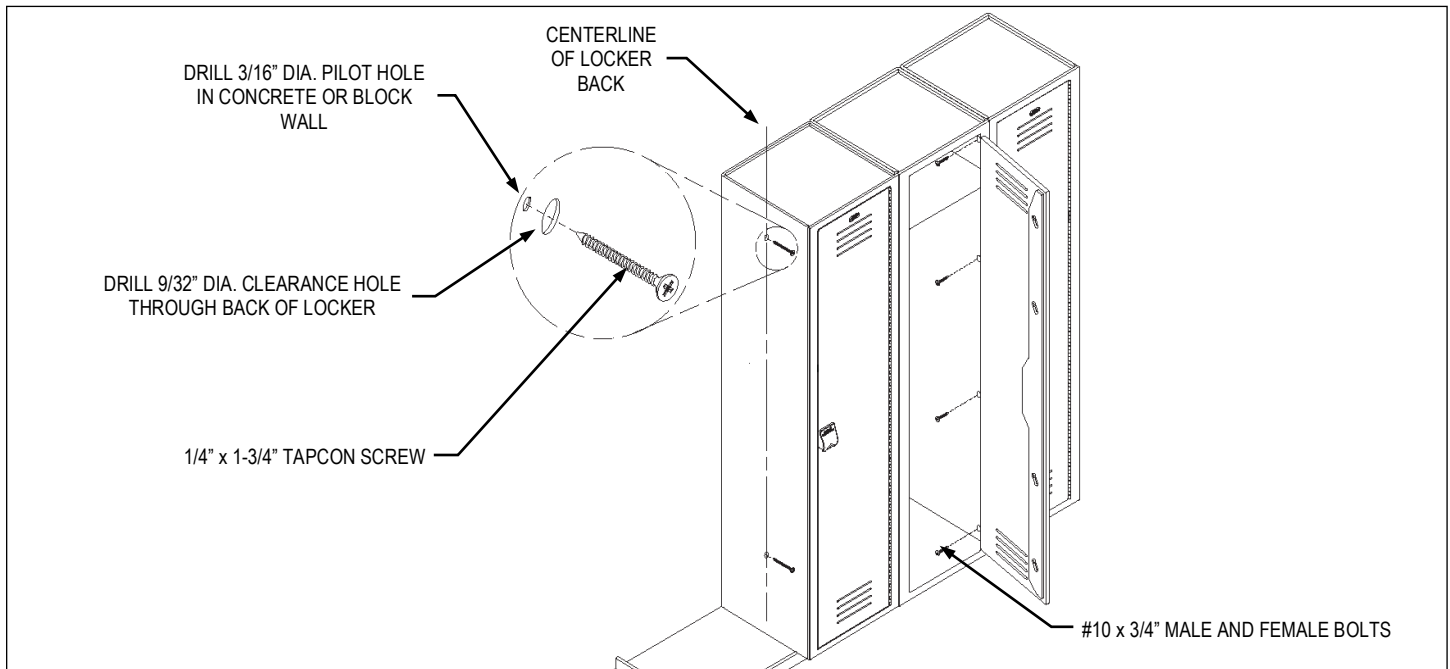
2. Position the second locker next to the first locker. Square and level the lockers using shims as required to align the tops and fronts.

IMPORTANT: Lockers must be installed flush with adjacent lockers.

3. Temporarily clamp the lockers together at the top and bottom. Drill four (4) 9/32" clearance holes through one locker as shown in the illustration below. The holes should be located 1-1/2" from the front of the locker and evenly spaced, top to bottom. Fasten the lockers to each other using the #10 x 3/4" security torx screws provided.

4. Position additional lockers according to your layouts. Square and level each locker using shims as required. Fasten lockers to each other using the #10 x 3/4" security torx screws provided.

5. Secure each locker to the wall in two places with the appropriate wall installation hardware provided. Use two 1/4" x 1-3/4" Tapcon screws, placing one near the top and one near the bottom of the locker as shown below.



SALSBURY INDUSTRIES

1010 East 62nd Street, Los Angeles, CA 90001-1598

Phone: 1-800-562-5377

Int'l Phone: 323-846-6700

Fax: 1-800-562-5399

Int'l Fax: 323-846-6800

www.lockers.com

engineering@lockers.com

Installation instructions are provided as general guidelines. It is advised that a professional installer be consulted. Salsbury Industries assumes no product assembly or installation liability.

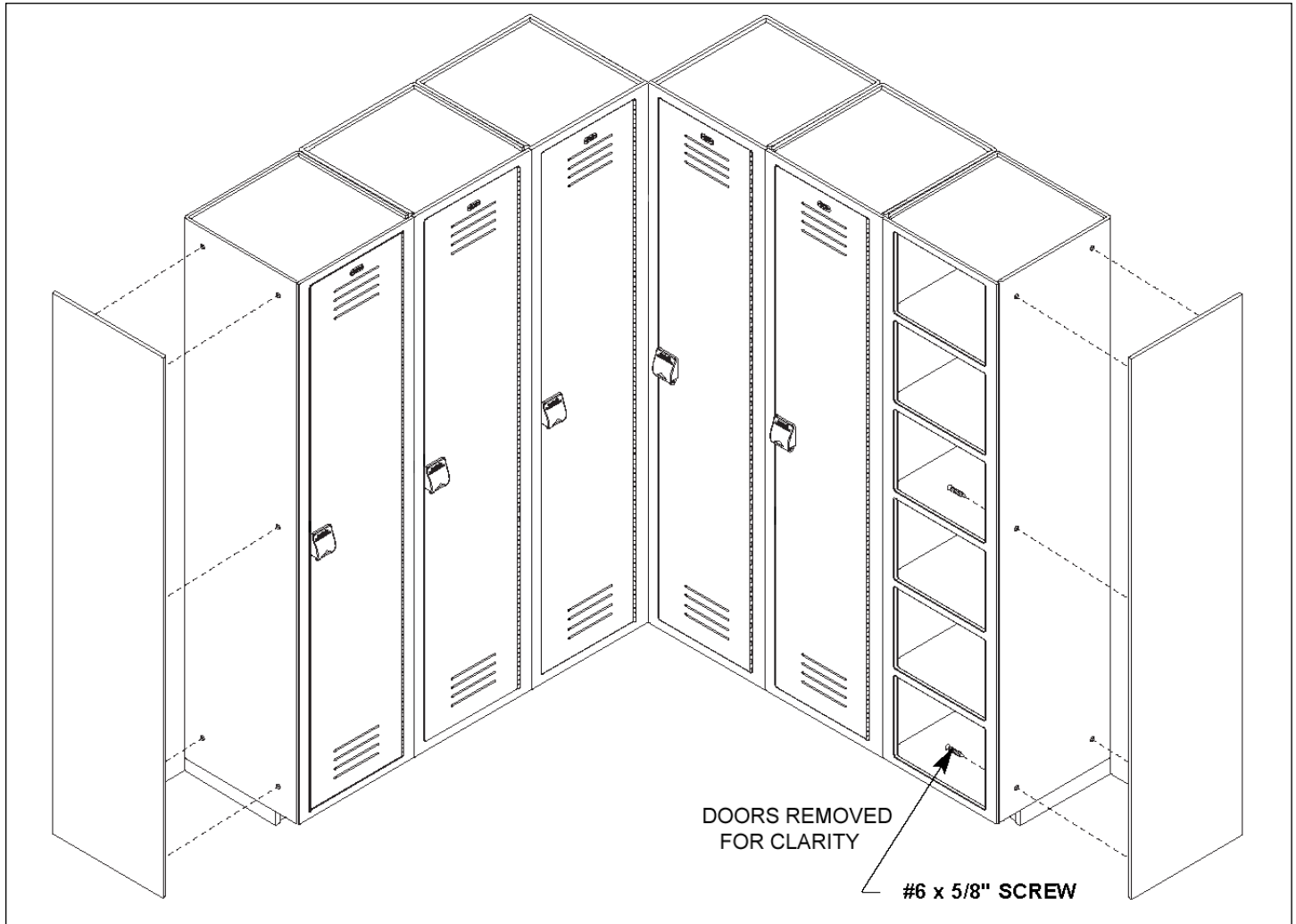
Copyright © 2016 Salsbury Industries. All rights reserved. (Rev. 07, 02/26/2016) Page 3 of 10

Heavy Duty Plastic Lockers – 40000 Series

Side Panel Installation Instructions

1. Drill five (5) 3/16" diameter holes through each of the exposed locker sides where the side panel is to be attached at the locations shown in the illustration below. **Do not drill holes into the side panel.**
2. Fasten each side panel to its corresponding locker side using the # 6 x 5/8" screws provided. The screws must be inserted through the inside of the locker and screwed into the side panel. The screws should not protrude through the side panel.

INSTALLATION OF SIDE PANELS



SALSBURY INDUSTRIES

1010 East 62nd Street, Los Angeles, CA 90001-1598

Phone: 1-800-562-5377

Int'l Phone: 323-846-6700

Fax: 1-800-562-5399

Int'l Fax: 323-846-6800

www.lockers.com

engineering@lockers.com

Installation instructions are provided as general guidelines. It is advised that a professional installer be consulted. Salsbury Industries assumes no product assembly or installation liability.

Copyright © 2016 Salsbury Industries. All rights reserved. (Rev. 07, 02/26/2016) Page 4 of 10

Heavy Duty Plastic Lockers – 40000 Series

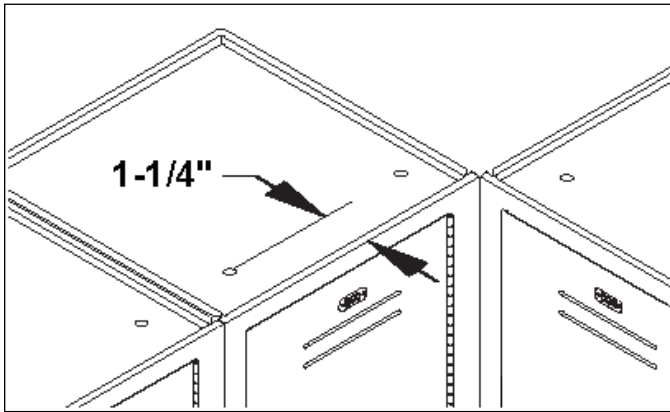
Sloping Hood & Sloping Hood In-Line Filler

Installation Instructions

The sloping hoods are shipped in two (2) standard lengths of 1-wide (12") and 3-wide (36") to fit the lockers without any cutting or trimming. Wall strips will be either 12" or 36" in length. The color of the wall strips may vary, but they are not visible after installation.

1. Drill two (2) 3/16" diameter clearance holes through the top of each of the installed lockers as shown in the illustration below, making sure that the holes are located 1-1/4" from the front edge of the locker. This dimension is critical to ensure proper installation.

HOLE LOCATIONS



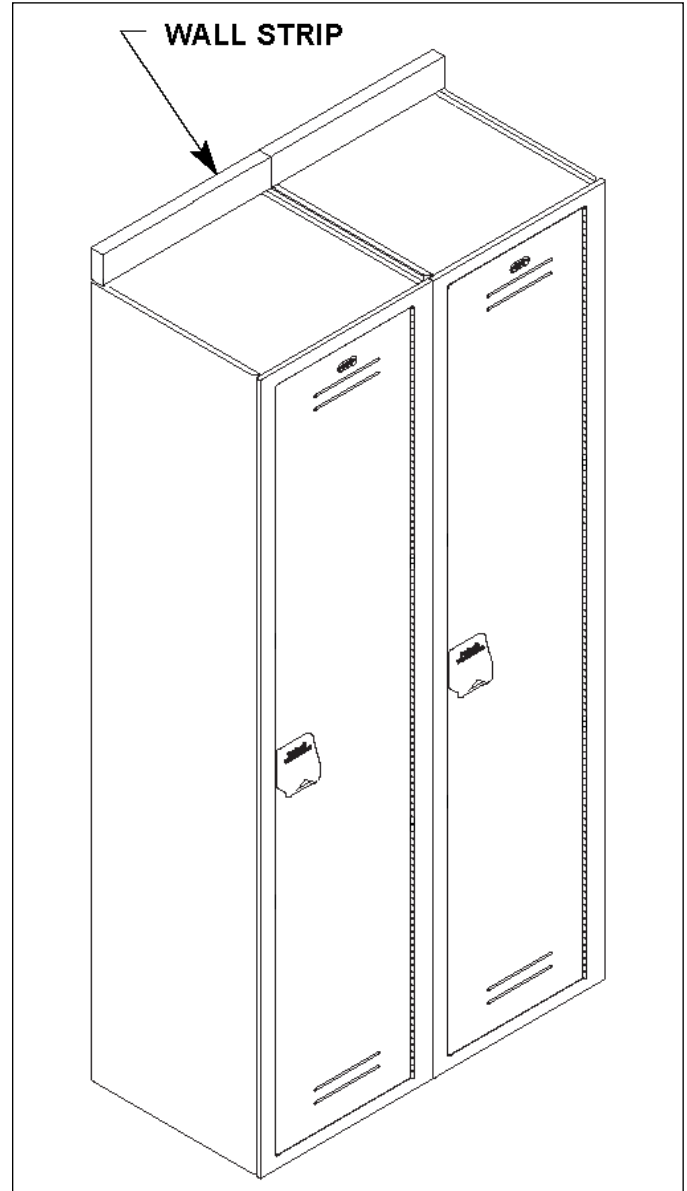
2. Position the wall strip (or strips) on top of the lockers flush against the wall as shown in the illustration to the right. Measure, scribe and drill 1/4" mounting holes into the wall strip as follows:

CONCRETE or BLOCK WALLS: Put two (2) holes 1" in from each end of each 15" wall strip. Do the same for each 45" wall strip and put a third hole in the center. The holes must be located at least 1-1/4" from the bottom edge of the wall strip. Use a 3/16" diameter masonry drill bit and 1/4" x 2-1/4" long Tapcon screws to fasten the wall strip to the wall.

STUD WALLS: Drill the mounting holes at every stud location covered by the wall strip. The holes must be located at least 1-1/4" from the bottom edge of the wall strip. Anchor the wall strip to the wall with 1/4" x 1-3/4" long pan head screws.

NOTE: The 12" wide wall strips are too short to span two (2) studs in a conventionally framed wall.

LOCATION OF WALL STRIPS



SALSBURY INDUSTRIES

1010 East 62nd Street, Los Angeles, CA 90001-1598

Phone: 1-800-562-5377

Fax: 1-800-562-5399

www.lockers.com

Int'l Phone: 323-846-6700

Int'l Fax: 323-846-6800

engineering@lockers.com

Installation instructions are provided as general guidelines. It is advised that a professional installer be consulted. Salsbury Industries assumes no product assembly or installation liability.

Copyright © 2016 Salsbury Industries. All rights reserved. (Rev. 07, 02/26/2016) Page 5 of 10

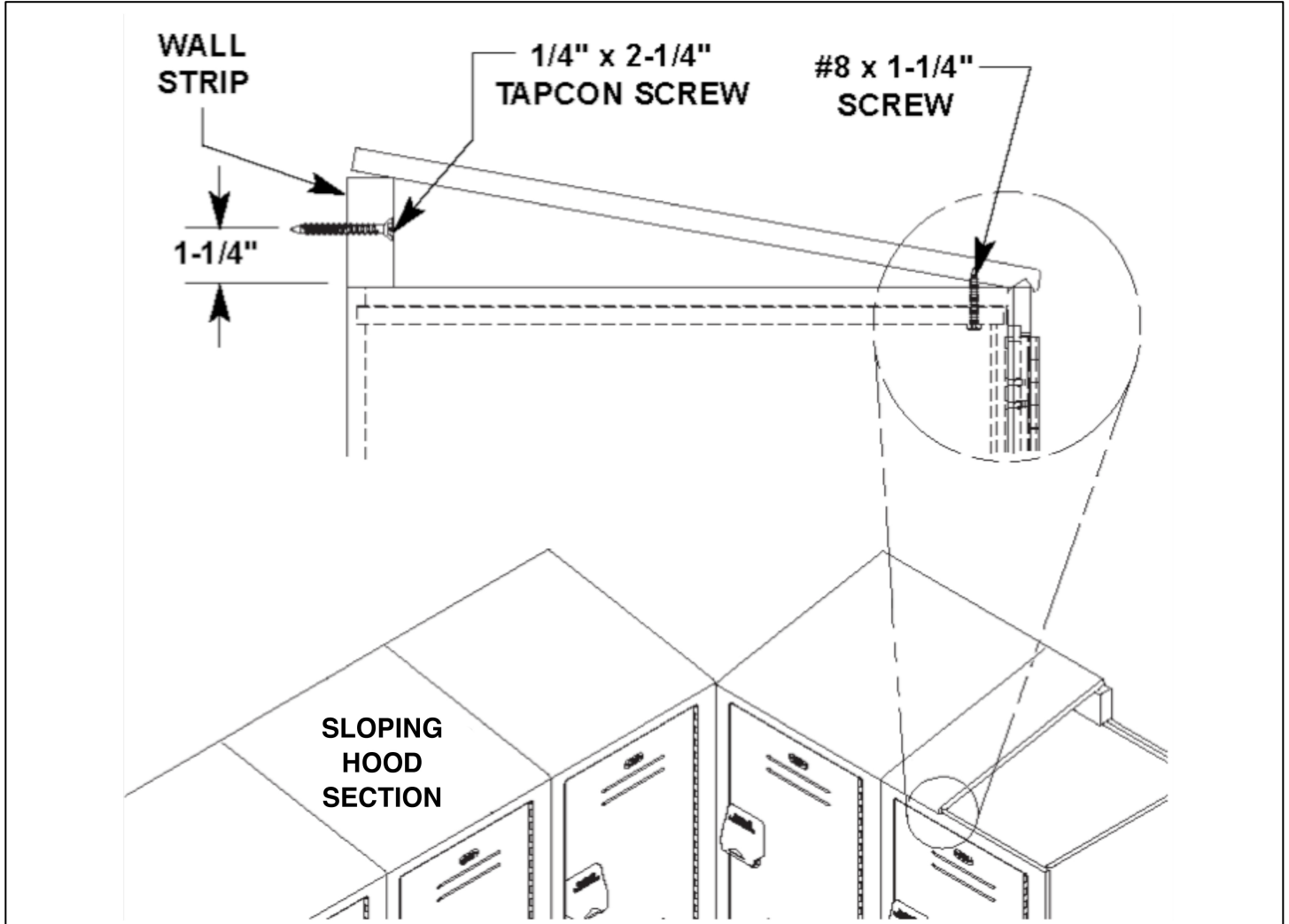
Heavy Duty Plastic Lockers – 40000 Series

Sloping Hood & Sloping Hood In-Line Filler

Installation Instructions

(CONTINUED)

LOCATION OF HOLES IN WALL STRIPS



1. Fit the groove of the first sloping hood over the front edge of the locker. Rest the back edge of the sloped top onto the wall strip. The 12" wide and the 36" wide sloped tops are the same except for width and are installed in the same manner.
2. Fit the groove of the next sloping hood section over the front edge of the locker and rest its back edge onto the wall strip.
3. Secure the sloping hood to the lockers with the #8 x 1-1/4" long screws provided. **Do not overtighten screws.**
4. Install the remaining sloping hoods.

NOTE: If desired, caulk the gap in the back edge of the sloping hood where it meets the wall strip.

SALSBURY INDUSTRIES

1010 East 62nd Street, Los Angeles, CA 90001-1598

Phone: 1-800-562-5377

Int'l Phone: 323-846-6700

Fax: 1-800-562-5399

Int'l Fax: 323-846-6800

www.lockers.com

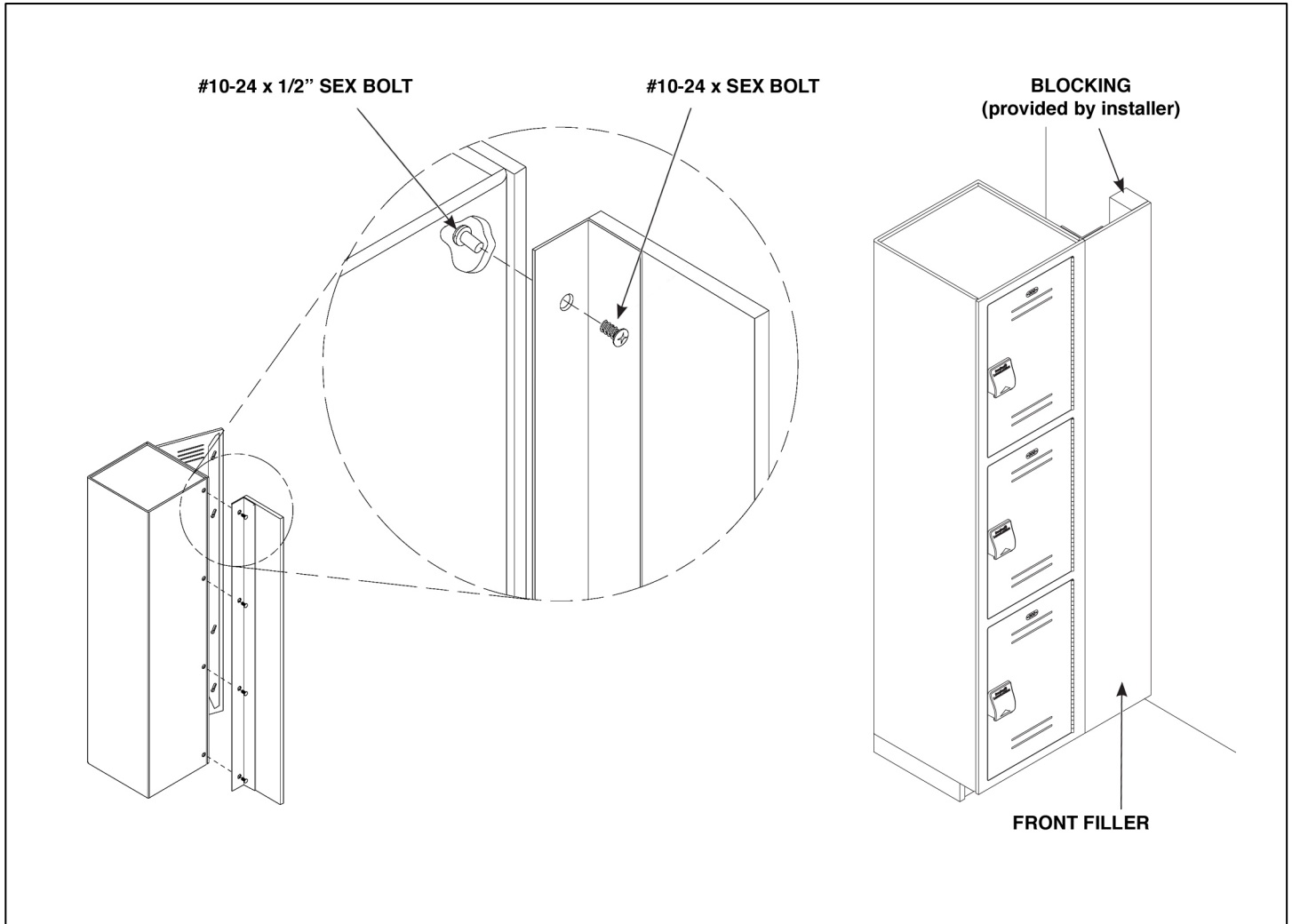
engineering@lockers.com

Installation instructions are provided as general guidelines. It is advised that a professional installer be consulted. Salsbury Industries assumes no product assembly or installation liability.

Copyright © 2016 Salsbury Industries. All rights reserved. (Rev. 07, 02/26/2016) Page 6 of 10

Heavy Duty Plastic Lockers – 40000 Series

Front Filler Installation Instructions



1. Cut the front locker filler to size.
2. Align the filler to the locker top and front and temporarily clamp in place.
3. Using the holes in the filler as a template, drill four 9/32" diameter holes through the locker.
4. Secure one side of the filler to the locker with the #10-24 male and #10-24 x 1/2" female sex bolts provided.
5. Secure the other side of the filler to the blocking (fasteners provided by installer).

NOTE: Fillers are designed to fill gaps between locker runs. They are cut to size by the installer and attached with 3-4 suitable fasteners supplied by the installer. The fillers are attached to either an adjoining locker or blocking (the blocking provides support at the end of a locker run). If fillers are being attached to a wall, attach the blocking to the wall first, then secure with suitable fasteners (blocking and fasteners are supplied by installer). Make sure the blocking is positioned so that the filler will be flush with the face of the locker.

SALSBURY INDUSTRIES

1010 East 62nd Street, Los Angeles, CA 90001-1598

Phone: 1-800-562-5377

Fax: 1-800-562-5399

www.lockers.com

Int'l Phone: 323-846-6700

Int'l Fax: 323-846-6800

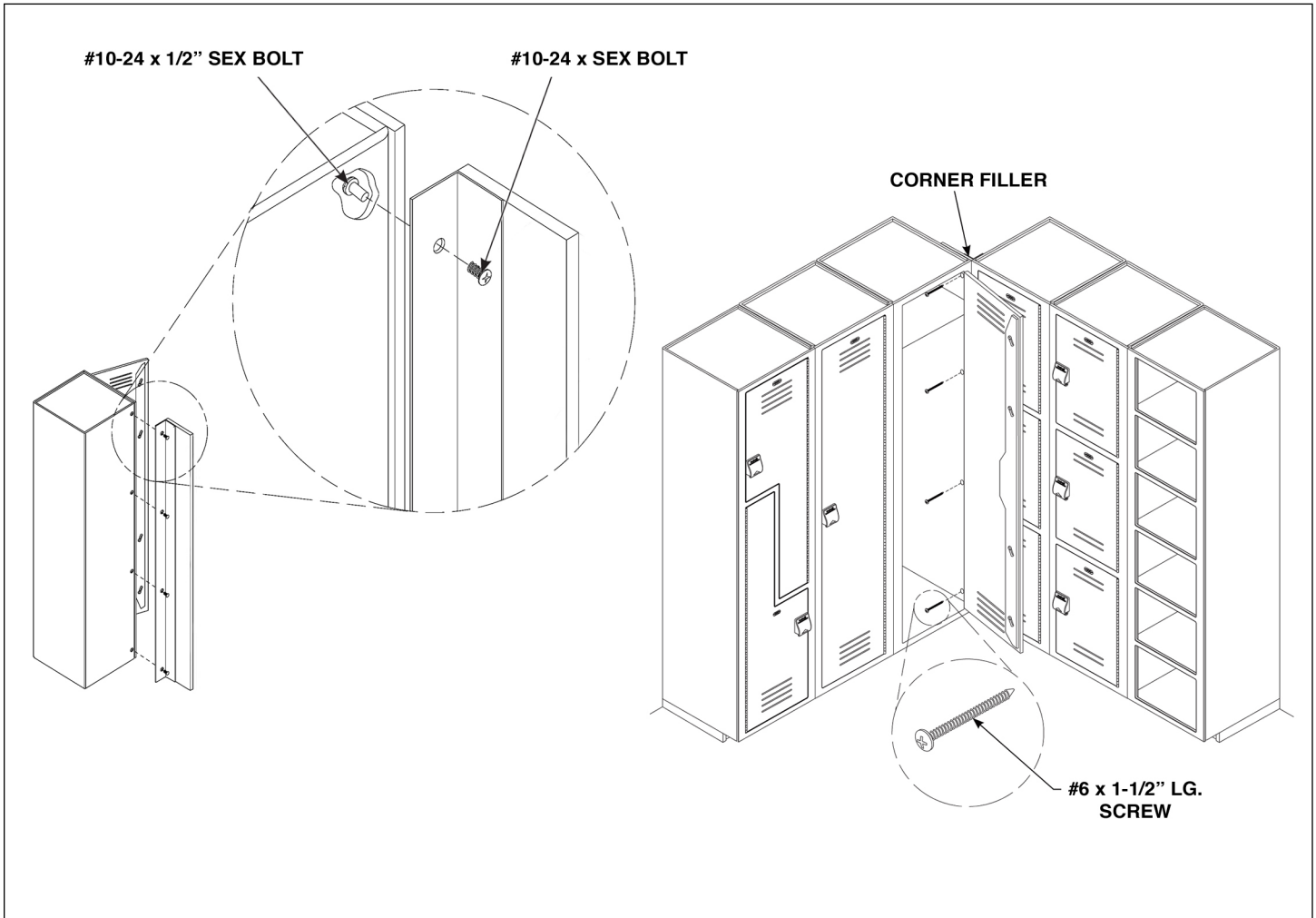
engineering@lockers.com

Installation instructions are provided as general guidelines. It is advised that a professional installer be consulted. Salsbury Industries assumes no product assembly or installation liability.

Copyright © 2016 Salsbury Industries. All rights reserved. (Rev. 07, 02/26/2016) Page 7 of 10

Heavy Duty Plastic Lockers – 40000 Series

Corner Filler Installation Instructions



INSTALLING CORNER FILLER TO LOCKER

1. Align the filler to the locker top and front and temporarily clamp in place.
2. Using the holes in the filler as a template, drill four 9/32" diameter holes through the locker.
3. Secure the corner filler to the locker with the #10-24 male and #10-24 x 1/2" female sex bolts provided.

INSTALLING LOCKER WITH CORNER FILLER TO NEXT LOCKER

1. Drill four 3/16" diameter clearance holes 1-1/2" from the locker face through the locker box only. Fasten the locker to the corner filler with the #6 x 1-1/2" screws provided.
2. Secure each locker to the wall in two places with two 1/4" x 1-3/4" large Tapcon screws, placing one near the top and bottom of the locker.
3. Position the additional lockers accordingly. Square and plumb each locker using shims as required. Fasten the lockers to each other using the #10 x 3/4" T-25 security screws provided.
4. Secure each locker to the wall in two places with two 1/4" x 1-3/4" large Tapcon screws, placing one near the top and bottom of locker.

SALSBURY INDUSTRIES

1010 East 62nd Street, Los Angeles, CA 90001-1598

Phone: 1-800-562-5377

Fax: 1-800-562-5399

www.lockers.com

Int'l Phone: 323-846-6700

Int'l Fax: 323-846-6800

engineering@lockers.com

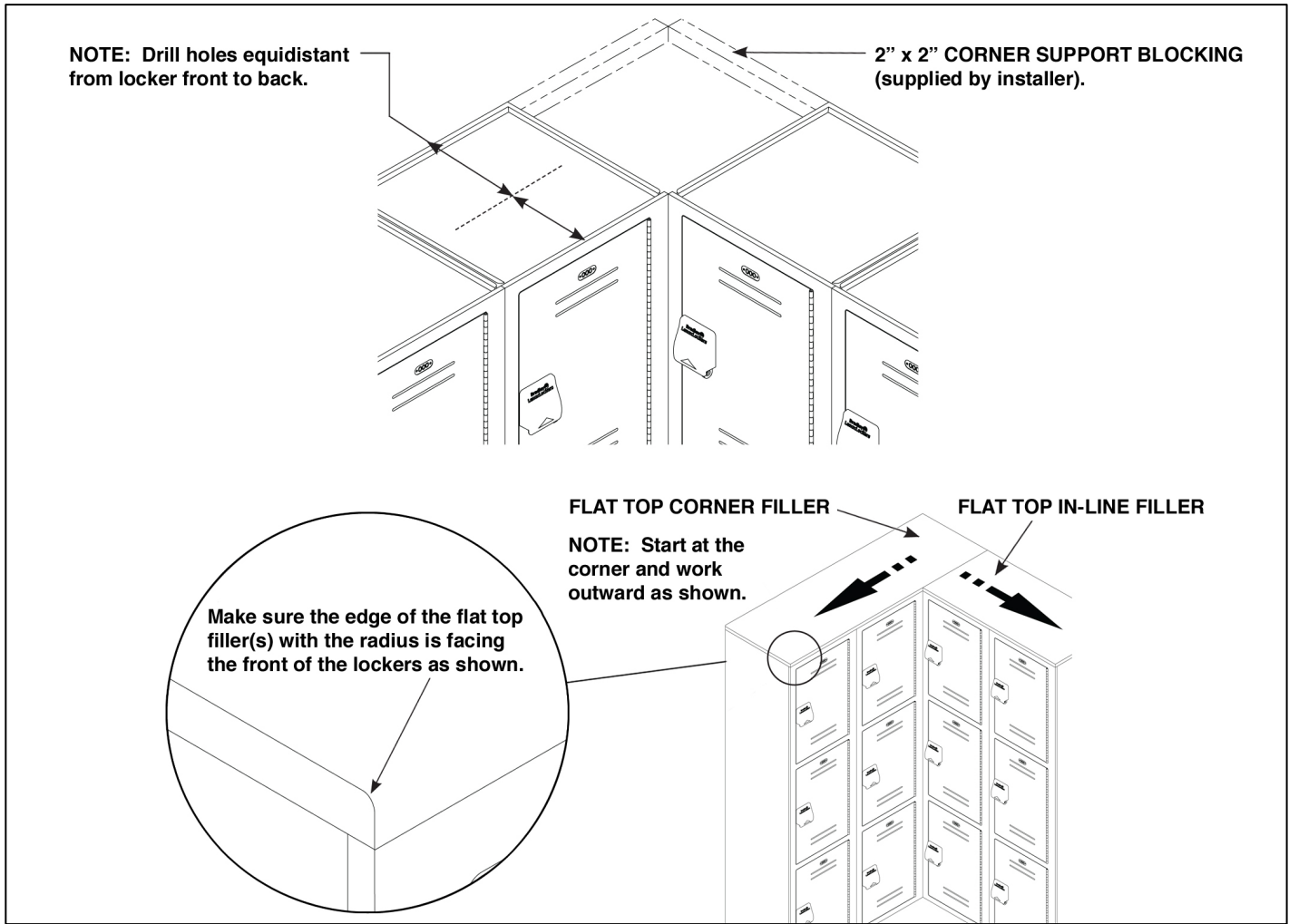
Installation instructions are provided as general guidelines. It is advised that a professional installer be consulted. Salsbury Industries assumes no product assembly or installation liability.

Copyright © 2016 Salsbury Industries. All rights reserved. (Rev. 07, 02/26/2016) Page 8 of 10

Heavy Duty Plastic Lockers – 40000 Series

Flat Top In-Line Filler & Flat-Top Corner Filler

Installation Instructions



1. Drill the appropriate number of 3/16" diameter clearance holes through the top of the installed lockers equidistant from locker front to back.
 - Locker screw hole requirements: flat tops less than 18" long, two holes; 18"-35" long, three holes; 36"-45" long, four holes; 72" long, six holes.
2. Starting at the corner and working outward, secure the flat top corner filler to the locker with the #8 x 1-1/8" large screws (provided by installer). **Do not overtighten screws.**
3. Measure, modify and install any remaining flat top in-line fillers for a custom fit.

IMPORTANT: To prevent injury, make sure the radius edge of the flat top filler is facing the front of the lockers, and the sharp edge is facing the back.

NOTE: If desired, caulk the gap in the back edge of the flat top filler where it meets the wall strip.

SALSBURY INDUSTRIES

1010 East 62nd Street, Los Angeles, CA 90001-1598

Phone: 1-800-562-5377

Int'l Phone: 323-846-6700

Fax: 1-800-562-5399

Int'l Fax: 323-846-6800

www.lockers.com

engineering@lockers.com

Installation instructions are provided as general guidelines. It is advised that a professional installer be consulted. Salsbury Industries assumes no product assembly or installation liability.

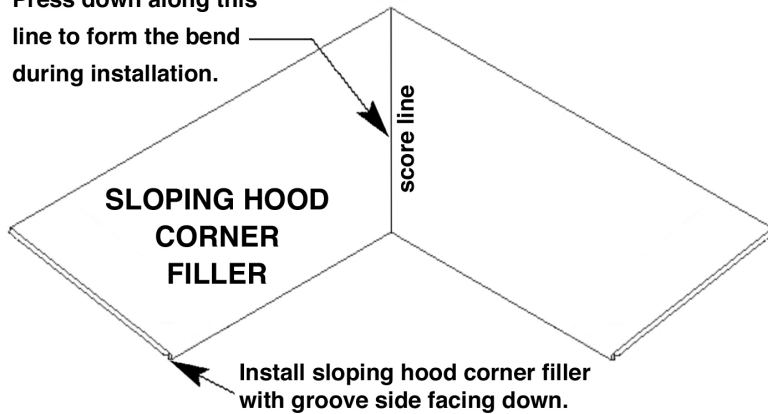
Copyright © 2016 Salsbury Industries. All rights reserved. (Rev. 07, 02/26/2016) Page 9 of 10

Heavy Duty Plastic Lockers – 40000 Series

Sloping Hood Corner Filler Installation Instructions

Figure 1

Press down along this line to form the bend during installation.



NOTE:
The sloping hood corner filler is shipped flat with a score at the bend. To form the bend, press down at the score line during installation. **DO NOT OVERBEND.**

1. If a sloping hood corner filler is being installed, position that sloping filler first. On one side of the filler, fit the groove of the sloping hood corner filler over the front edge of the locker, while at the same time pressing down on the score line of the sloping hood corner filler (as shown in figure 1). Rest the back edge of the sloping hood corner filler onto the wall strip. Fit the groove of the next sloping hood section over the front edge of the locker and rest its back edge onto the wall strip.

2. Fit the groove of the next sloping hood section over the front edge of the locker and rest its back edge onto the wall strip.

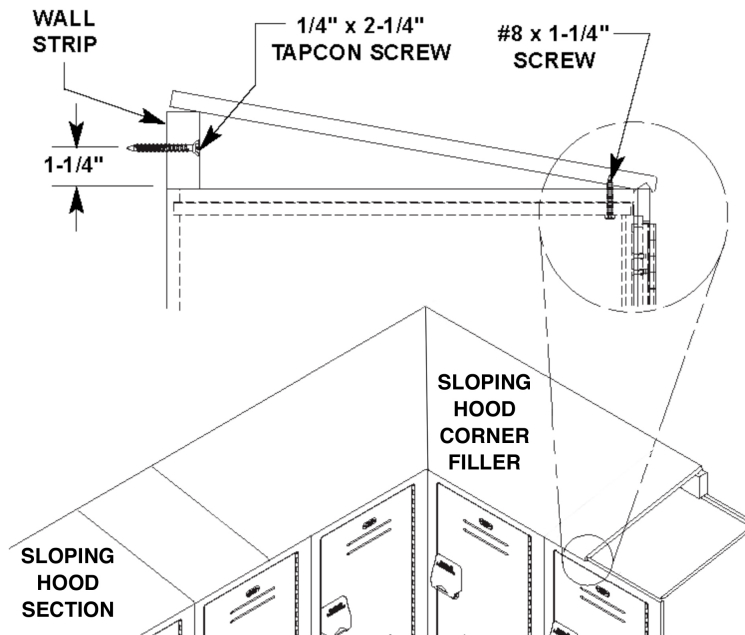
3. Secure the sloping hoods to the lockers with the #8 x 1-1/4" long screws provided (as shown in figure 2). **Do not overtighten screws.**

4. Install the remaining sloping hoods.

NOTE: If desired, caulk the gap in the back edge of the sloping hood where it meets the wall strip.

LOCATION OF HOLES IN WALL STRIPS

Figure 2



SALSBURY INDUSTRIES

1010 East 62nd Street, Los Angeles, CA 90001-1598

Phone: 1-800-562-5377

Int'l Phone: 323-846-6700

Fax: 1-800-562-5399

Int'l Fax: 323-846-6800

www.lockers.com

engineering@lockers.com

Installation instructions are provided as general guidelines. It is advised that a professional installer be consulted. Salsbury Industries assumes no product assembly or installation liability.

Copyright © 2016 Salsbury Industries. All rights reserved. (Rev. 07, 02/26/2016) Page 10 of 10