



FILE BELT SANDER INSTRUCTION MANUAL

1/8-3/4 in. x 18-24 in. (3-19 mm x 457-610 mm)

22,000 RPM, 4990 SFPM (1521 smm)

Important Safety Information

Please read, understand and follow all safety information contained in these instructions prior to the use of this tool. Retain these instructions for future reference.

Intended Use

This pneumatic tool is intended for use in industrial locations, and used only by skilled, trained professionals in accordance with the instructions in this manual. This pneumatic tool is designed to be used with a contact arm and appropriate abrasive belts for sanding metals, wood, stone, plastics and other materials. It should only be used for such sanding applications and within marked capacity and ratings. Only accessories specifically recommended by 3M should be used with this tool. Use in any other manner or with other accessories could lead to unsafe operating conditions.

Do not operate tool in water or in an excessively wet application.

Explanation of Signal Word Consequences

	WARNING:	Indicates a potentially hazardous situation which, if not avoided, may result in death or serious injury and/or property damage.
	CAUTION:	Indicates a potentially hazardous situation which, if not avoided, may result in minor or moderate injury and/or property damage.

Read the Material Safety Data Sheets (MSDS) before using any materials.

Contact the suppliers of the workpiece materials and abrasive materials for copies of the MSDS if one is not readily available.

WARNING

Exposure to **DUST** generated from workpiece and/or abrasive materials can result in lung damage and/or other physical injury.

Use dust capture or local exhaust as stated in the MSDS. Wear government-approved respiratory protection and eye and skin protection.

Failure to follow this warning can result in serious lung damage and/or physical injury.



WARNING

To reduce the risks associated with impact from abrasive product, or tool breakup, sharp edges, hazardous pressure, rupture, vibration and noise:

- Read, understand and follow the safety information contained in these instructions prior to the use of this tool. Retain these instructions for future reference.
- Only personnel who are properly trained should be allowed to service this tool.
- Practice safety requirements. Work alert, have proper attire, and do not operate tools under the influence of alcohol or drugs.
- Operators and other personnel must always wear protection for eyes, ears, and respiratory protection when in the work area or while operating this product. Follow your employer's safety policy for PPE's and/or ANSI Z87.1 or local/national standards for eyewear and other personal protective equipment requirements.
- Wear protective apparel, taking into consideration the type of work being done.
- Never exceed marked maximum input pressure (90psi / .62Mpa / 6.2Bars).
- Proper eye protection must be worn at all times.
- Tool shall not be operated in the presence of bystanders.
- If you notice any abnormal noise or vibration when operating the tool, immediately discontinue its use and inspect for worn or damaged components. Correct or replace the suspect component. If abnormal noise or vibration still exists, return the tool to 3M for repair or replacement. Refer to warranty instructions.
- Never operate this tool without all safety features in place and in proper working order.
- Never over-ride or disable the safety features of the start-stop control such that it is in the on position.
- Make sure the tool is disconnected from its air source before servicing, inspecting, maintaining, cleaning, and before changing abrasive product.
- Prior to use, inspect abrasive product and accessories for possible damage. If damaged, replace with new abrasive product and accessories available from 3M.
- Only use accessories supplied or recommended by 3M.
- Never allow this tool to be used by children or other untrained people.
- Do not leave an unattended tool connected to air source.
- Use only with mounting hardware recommended by 3M; check with 3M for mounting hardware requirements.
- Prior to use, ensure guard is oriented to protect the operator from flying fragments and is properly secured.
- If the tool is jammed, shut off the tool, disconnect the air hose and ease it free. Ensure the abrasive product is correctly secured.
- Never operate this tool without all guards and safety features in place and in proper working order.

⚠ WARNING

To reduce the risks associated with vibration:

- If any physical hand/wrist discomfort is experienced, work should be stopped promptly to seek medical attention. Hand, wrist and arm injury may result from repetitive work, motion and overexposure to vibration.

To reduce the risks associated with loud noise:

- Always wear hearing protection while operating this tool. Follow your employer's safety policy or local/national standards for personal protective equipment requirements.

To reduce the risks associated with fire or explosion:

- Do not operate the tool in explosive atmospheres, such as in the presence of flammable liquids, gases, or dust. The abrasives are able to create sparks when working material, resulting in the ignition of the flammable dust or fumes.

- Refer to MSDS of material being worked as to potential for creating fire or explosion hazard.

To reduce the risks associated with hazardous dust ingestion or eye/skin exposure:

- Use appropriate respiratory and skin protection, or local exhaust as stated in the MSDS of the material being worked on.

To reduce the risks associated with hazardous voltage:

- Do not allow this tool to come into contact with electrical power sources as the tool is not insulated against electrical shock.

⚠ CAUTION!

To reduce the risks associated with skin abrasion, burns, cuts, or entrapment:

- Keep hands, hair, and clothing away from the rotating part of the tool.

- Wear suitable protective gloves while operating tool.

- Do not touch the rotating parts during operation for any reason.

- Do not force tool or use excessive force when using tool.

To reduce the risks associated with whipping or hazardous pressure-rupture:

- Ensure supply hose is oil resistant and is properly rated for required working pressure.

- Do not use tools with loose or damaged air hoses or fittings.

- Be aware that incorrectly installed hoses and fittings might unexpectedly come loose at any time and create a whipping/impact hazard.

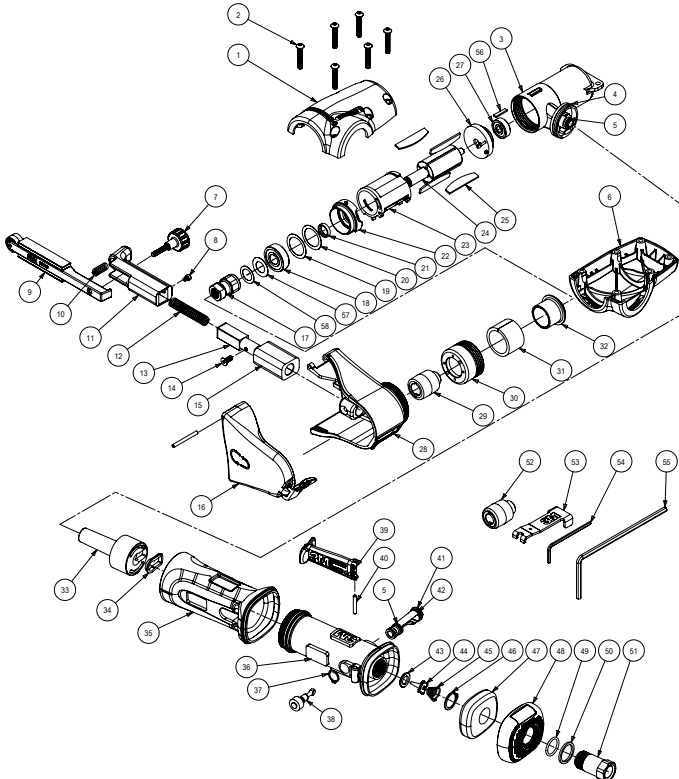
To reduce the risks associated with fly off of abrasive product or parts:

- Use care in attaching abrasive product and mounting hardware; following the instructions to ensure that they are securely attached to the tool before use.

- Never point this product in the direction of yourself or another person, or start tool unintentionally.

- Never over-tighten accessory fasteners.

Parts Page



Parts List

ITEM	3M P/N	DESCRIPTION	QTY
1	30611	HOUSING - LEFT	1
2	30612	SOCKET BUTTON HEAD CAP SCREW - M4 x 25 mm	6
3	30613	MOTOR CASE	1
4	30614	O-RING - 31 mm ID x 1.5 mm WIDTH	1
5	30615	O-RING - 8 mm ID x 1 mm WIDTH	2
6	30616	HOUSING - RIGHT	1
7	30617	TRACKING / CONTROL KNOB	1
8	30618	SOCKET HEAD CAP SCREW - M3 x 4, STEEL	1
9	28368	*FILE BELT ARM STANDARD STYLE	1
10	30619	SPRING, TRACKING BIAS	1
11	30620	TRACKING ARM MOUNT	1
12	30621	SPRING - BELT TENSION	1
13	30622	TRACKING ARM POST	1
14	30623	HEX SOCKET COUNTERSUNK HEAD MACHINE SCREW - M4 x 10	1
15	30624	DUST COVER	1
16	30625	BELT COVER AND LATCH ASSEMBLY	1
17	28798	DRIVE STUD ADAPTOR	1
18	30627	BEARING - 2 SHIELDS 10 mm x 26 mm x 8 mm	1
19	30628	SHIM - 25.4 mm OD x 19 mm ID x 0.02 mm THK	1
20	30629	SHIM - 25.4 mm OD x 19 mm ID x 0.05 mm THK	1
21	30630	SPACER - 13.4 mm OD x 10.01 mm ID x 3.2 THK	1
22	30631	ENDPLATE ASSEMBLY - FRONT	1
23	30632	CYLINDER	1
24	30633	ROTOR	1
25	30634	ROTOR VANE	4
26	30635	ENDPLATE ASSEMBLY - REAR	1
27	30636	BEARING - 2 SHIELDS 6 mm x 19 mm x 6 mm	1
28	30637	BELT HOUSING	1
29	30638	DRIVE PULLEY	1
30	30639	FRONT EXHAUST MANIFOLD	1
31	30640	DIFFUSER	1
32	28799	MOTOR SPACER	1
33	30642	AIR GUIDE	1
34	30643	GASKET, AIR GUIDE	1
35	30644	HANDLE GRIP	1
36	30645	HANDLE	1
37	30646	RETAINING RING - $7/16$ in. DIAMETER	1
38	30647	VALVE STEM ASSEMBLY	1
39	30649	SAFETY LEVER ASSEMBLY SET	1
40	30650	SPRING PIN	1
41	30651	SPEED CONTROL	1
42	30652	O-RING - 9 mm x 1.5 mm	1
43	30653	VALVE SEAT	1
44	30654	VALVE	1
45	30655	VALVE SPRING	1
46	30656	RETAINING RING - $5/8$ in. DIAMETER	1
47	30657	DIFFUSER	1
48	30658	EXHAUST CAP WITH LABELS	1
49	30659	O-RING - 15.6 mm ID x 1.78 mm WIDTH	1
50	30660	WASHER, AIR INLET	1
51	30661	INLET ADAPTOR	1
52	30671	DRIVE PULLEY - RUBBER	1
53	30672	WRENCH - DRIVE WHEEL	1
54	30674	WRENCH - 2.5 mm L-KEY	1
55	30673	WRENCH - 4.0 mm L-KEY	1
56	28800	SEAL	1
57	55186	FRONT BEARING DUST SHIELD	1
58	A0016	SPACER - 18.0 mm OD x 12.1 mm ID x .02 THK	1

* See File Belt Contact Arm chart for additional arms

Product Configuration/Specifications: 22,000 RPM File Belt Sander

Model Number	Belt Size in. (mm)	Motor Speed (RPM)	Belt Speed SFPM (s/mm)	Product Net Wt lb (kg)	Height in. (mm)	Length in. (mm)	Width in. (mm)	*Noise Level dBA Pressure (Power)	**Vibration Level m/s ² (ft/s ²)	**Uncertainty K m/s ²
28366	¹ / ₈ - ³ / ₄ x 18-24 (3-19 x 457-610)	22,000	4990 (1521)	2.8 (1.3)	2.93 (74.5)	14.57 (370)	5.95 (151.2)	81 (90)	<2.5 (<8.2)	N/A

*Declared noise levels; measurements carried out in accordance with standard EN ISO 15744:2008.

** Declared vibration levels in accordance with EN12096; measurements carried out in accordance with standard EN ISO 28662-1:1992; EN 60745-1:2006 and EN 60745-2-4:2007, except that feed force was reduced to 10N +/- 5N due to the impracticality of operating this small tool at 30N +/- 5N as stated in the standard.

IMPORTANT NOTE: The noise and vibration values stated in the table are from laboratory testing in conformity with stated codes and standards and are not sufficient risk evaluation for all exposure scenarios. The actual exposure values and amount of risk or harm experienced to an individual is unique to each situation and depends upon the surrounding environment, the way in which the individual works, the particular material being worked, work station design, as well as upon the exposure time and the physical condition of the user. 3M™ cannot be held responsible for the consequences of using declared values instead of actual exposure values for any individual risk assessment.

Operating / Maintenance instructions

PRIOR TO THE OPERATION

The tool is intended to be operated as a hand held tool. It is always recommended that while using the tool, operators stand on a solid floor, in a secure position with a firm grip and footing. Be aware that the sander can develop a torque reaction. See the section "SAFETY PRECAUTIONS".

Use a clean lubricated air supply that will give a measured air pressure at the tool of 6.2 bar (90 psig) when the tool is running with the lever fully depressed. It is recommended to use an approved 10 mm (³/₈ in) x 8 m (25 ft) maximum length airline. Connect the tool to the air supply as shown in Figure 1. Do not connect the tool to the airline system without an easily accessible air shut off valve. It is strongly recommended that an air filter, regulator and lubricator (FRL) be used as shown in Figure 1 as this will supply clean, lubricated air at the correct pressure to the tool. In any case appropriate air pressure regulators shall be used at all times while operating this tool where the supply pressure exceeds the marked maximum of the tool. Details of such equipment can be obtained for your tool distributor. If such equipment is not used, the tool should be manually lubricated. To manually lubricate the tool, disconnect the airline and put 2 to 3 drops of suitable pneumatic motor lubricating oil such as 3M™ Air Tool Lubricant PN 20451, Fuji Kosan FK-20, Mobil ALMO 525 into the hose end (inlet) of the tool. Reconnect tool to the air supply and run tool slowly for a few seconds to allow air to circulate the oil. If the tool is used frequently, lubricate it on a daily basis or lubricate it if the tool starts to slow or lose power. It is recommended that the air pressure at the tool be 6.2 bar (90 psig) while the tool is running so the maximum RPM is not exceeded. The tool can be run at lower pressures but should never be run higher than 6.2 bar (90 psig). If run at lower pressure the performance of the tool is reduced.

Recommended Airline Size - Minimum		Recommended Maximum Hose Length		Air Pressure	
10 mm	³ / ₈ in	8 meters	25 feet	Maximum Working Pressure 6.2 bar 90 psig	
				Recommended Minimum	NA NA

Safety Precautions

1. Read all instructions before using this tool. All operators must be fully trained in its use and aware of these safety rules.
2. The tool RPM should be checked on a regular basis to ensure proper operating speed.
3. Make sure the tool is disconnected from the air supply.
4. Always wear required safety equipment when using this tool.
5. Always remove the air supply to the tool before fitting, adjusting or removing the abrasive.
6. Always adopt a firm footing and grip and be aware of torque reaction developed by the tool.
7. Use only 3M approved spare parts.
8. Always ensure the material being worked is firmly fixed to avoid movement.
9. Check hose and fittings regularly for wear. Do not carry the tool by its hose; always be careful to prevent the tool from being started when carrying the tool with the air supply connected.
10. Dust can be highly combustible.
11. If tool is serviced or rebuilt, check to ensure that the maximum tool RPM is not exceeded and that there is no excessive tool vibration.
12. Do not exceed maximum recommended air pressure. Use safety equipment as recommended.
13. The tool is not electrically insulated. Do not use where there is a possibility of contact with live electricity, gas pipes, and/or water pipes.
14. This tool is not protected against hazards inherent in grinding and cutting operations and no such accessories should ever be attached.
15. Take care to avoid entanglement with the moving parts of the tool with clothing, ties, hair, cleaning rags or loose hanging objects. If entangled, stop air supply immediately to avoid contact with moving tool parts.
16. If the tool appears to malfunction, remove from use immediately and arrange for service and repair.
17. Immediately release the start handle in the event of any disruption of pressure; do not attempt to re-start until the disruption has been corrected.
18. When tool is not in use, store in a clean dry environment free of debris.
19. Recycle or dispose of tool according to Local, State, and Federal Regulations.

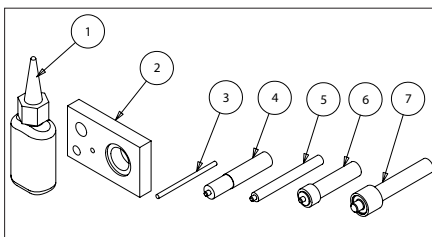
3M™ File Belt Contact Arms

3M Contact Arms are perfectly mated for use on the 3M File Belt Sander. Constructed from premium, industrial-quality materials, their durability and precise construction are the ideal complement to the performance of the 3M File Belt Sander. The following chart is a sample of products offered.

See 3M ASD Accessory catalog 61-5002-8098-9 for additional Accessories.

Service Tool Kit

Description	Part Number
Service Tool Kit	30670



ITEM	DESCRIPTION	QTY.
1	RETAINING COMPOUND	1
2	WHEEL POSITION BLOCK	1
3	SHAFT REMOVAL TOOL	1
4	BEARING REMOVAL TOOL $\frac{3}{8}$ in. ID	1
5	BEARING REMOVAL TOOL $\frac{1}{4}$ in. ID	1
6	BEARING MOUNT TOOL	1
7	BEARING TOOL $\frac{5}{8}$ in. ID	1

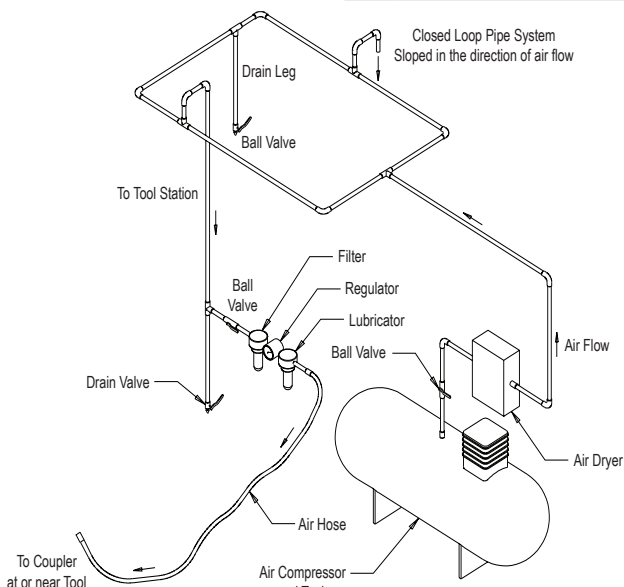
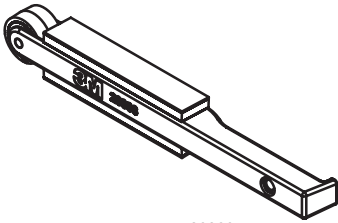
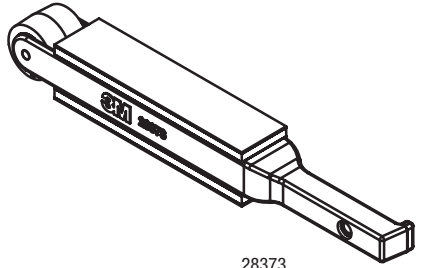


Figure 1

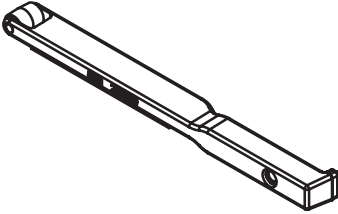
File Belt Contact Arms



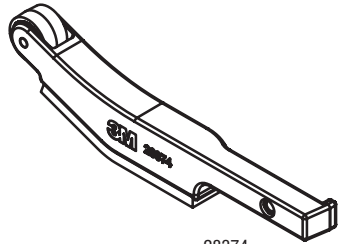
28368



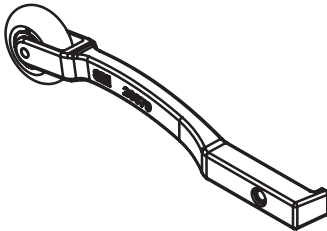
28373



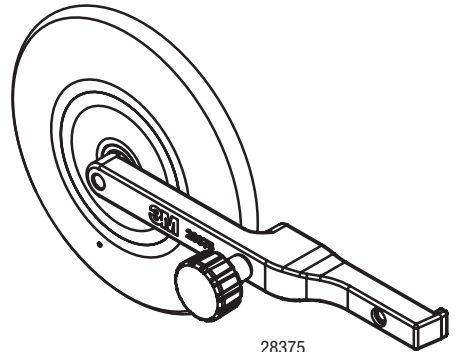
28369



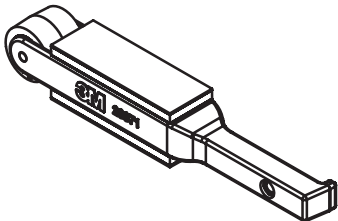
28374



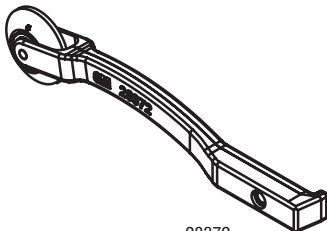
28370



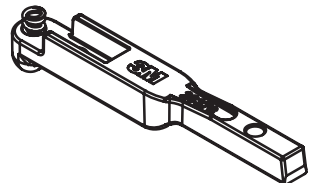
28375



28371



28372



28376

File Belt Contact Arms

File Belt Arm Description	Arm P/N	Repair Kit P/N	Description	Qty
Thick Standard Style	28371	30664	Pad, Neoprene Platen $\frac{3}{4}$ in. Wide	2
			Wheel, Contact $\frac{3}{4}$ in. Dia x $\frac{5}{8}$ in. Wide	1
			Bearing, $\frac{3}{8}$ in. OD x $\frac{1}{8}$ in. ID x $\frac{5}{32}$ in. Wide	2
			Shaft, $\frac{1}{8}$ in. Dia x $\frac{3}{4}$ in. Lg, Bearing Contact Wheel	1
20 $\frac{1}{2}$ in. Arm	28373	30665	Pad, Cork Platen $\frac{3}{4}$ in. Wide	2
			Wheel, Contact $\frac{3}{4}$ in. Dia x $\frac{5}{8}$ in. Wide	1
			Bearing, $\frac{3}{8}$ in. OD x $\frac{1}{8}$ in. ID x $\frac{5}{32}$ in. Wide	2
			Shaft, $\frac{1}{8}$ in. Dia x $\frac{3}{4}$ in. Lg, Bearing Contact Wheel	1
Standard Style	28368	30663	Pad, Neoprene Platen $\frac{1}{2}$ in. Wide	2
			Wheel, Contact $\frac{5}{8}$ in. Dia x $\frac{3}{8}$ in. Wide	1
			Shaft $\frac{1}{8}$ in. Dia x $\frac{1}{2}$ in. Lg, Bearing Contact Wheel	1
			Bearing, $\frac{3}{8}$ in. OD x $\frac{1}{8}$ in. ID x $\frac{5}{32}$ in. Wide	2
Thin Style	28369	30667	Pad, Platen Cork $\frac{1}{2}$ in. Wide	1
			Bearing, $\frac{1}{4}$ in. OD x $\frac{1}{8}$ in. ID x $\frac{7}{64}$ in. Wide	2
			Wheel, Contact $\frac{5}{16}$ in. Dia x $\frac{3}{8}$ in. Wide	1
			Shaft $\frac{1}{8}$ in. Dia x $\frac{1}{2}$ in. Lg, Bearing Contact Wheel	1
Corners Style	28370	30668	Bearing, $\frac{3}{8}$ in. OD x $\frac{1}{8}$ in. ID x $\frac{5}{32}$ in. Wide	2
			Shaft $\frac{1}{8}$ in. Dia x $\frac{1}{2}$ in. Lg, Bearing Contact Wheel	1
			Wheel, Contact 1 in. Dia x $\frac{3}{8}$ in. Wide	1
Corners Style	28372	30666	Wheel, Contact 1 in. Dia x $\frac{3}{8}$ in. Wide	1
			Bearing, $\frac{3}{8}$ in. OD x $\frac{1}{8}$ in. ID x $\frac{5}{32}$ in. Wide	2
			Shaft $\frac{1}{8}$ in. Dia x $\frac{1}{2}$ in. Lg, Bearing Contact Wheel	1
Curved Arm	28374	30662	Pad, Platen Cork $\frac{1}{2}$ in. Wide	1
			Wheel, Contact $\frac{5}{8}$ in. Dia x $\frac{3}{8}$ in. Wide	1
			Bearing, $\frac{3}{8}$ in. OD x $\frac{1}{8}$ in. ID x $\frac{5}{32}$ in. Wide	2
			Shaft $\frac{1}{8}$ in. Dia x $\frac{1}{2}$ in. Lg, Bearing Contact Wheel	1
Vessel Arm	28375	30669	Washer	1
			Bearing, $\frac{5}{8}$ in. x $\frac{1}{4}$ in. x .196 in. wide	2
			Contact Wheel - 4 in.	1
			Screw, Soc Hd $\frac{1}{4}$ -28 x $\frac{3}{4}$ in.	1
Extension	28376	N/A	Spring, Tracking Bias	1
			Screw	1

Mounting and Removing Abrasive Belt

To Install/Remove Belt:

1. Disconnect the air line.
2. Flip the Belt Cover Latch up to release the Belt Cover.
3. Rotate the Belt Cover upward, exposing the Drive Pulley.
4. Pull back the Tracking Arm Mount to gain and hold slack in the belt.
5. Remove and replace the belt, then release the Tracking Arm Mount to regain tension in the belt.
6. Rotate the Belt Cover downward, and flip the Belt Cover Latch down, securing the Belt Cover.
7. Connect the air line.
8. Adjust belt tracking by turning the knob to the left or right as needed, while the machine is running.

Adjusting Belt Tracking

To Adjust Belt Tracking:

1. While the tool is running, turn the Tracking Knob to the left or right, so the abrasive belt runs centered over contact arm wheel. (See Fig. 2.)
2. Always apply the returning side of the belt to the workpiece to maintain proper tracking.

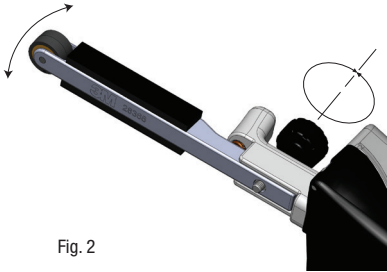


Fig. 2

Mounting and Removing Contact Arms

To Install/Change Contact Arm:

1. Disconnect the air line.
2. Flip the Belt Cover Latch up to release the Belt Cover.
3. Rotate the Belt Cover upward, exposing the Drive Pulley.
4. Pull back the Tracking Arm Mount to gain and hold slack in the belt.
5. Remove the belt.
6. Remove the Tracking Knob.
7. Remove the Contact Arm and replace with the desired arm. Make sure the tab on the end of the arm is in the channel of the Tracking Arm Mount. (See Fig. 3.)
8. Replace the Tracking Knob and tighten it into the threaded hole on the Contact Arm so the Contact Arm is as straight as possible.
9. Install the abrasive belt and secure the Belt Cover.
10. Connect the air line and adjust belt tracking by turning the Tracking Knob as needed while the machine is running.

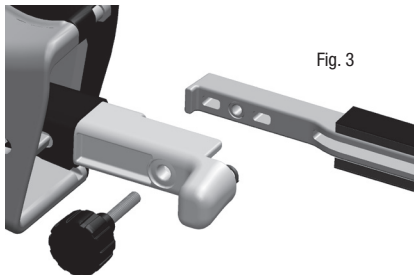


Fig. 3

Adjusting Belt Housing and Handle Position

To Adjust Belt Housing Position:

1. Disconnect the air line.
2. Loosen M4 cap screws "A" and "B": (See Fig. 4.)
3. Rotate the Belt Housing to the desired position. Detents indicate the positions within a 360 degree range.
4. Tighten M4 cap screws "A" and "B":

To Adjust Handle/Lever Position:

1. Disconnect the air line.
2. Loosen M4 cap screws "B" and "C": (See Fig. 4.)
3. Rotate the Handle/Lever to the desired position. Detents indicate the positions within a 360 degree range.
4. Tighten M4 cap screws "B" and "C":

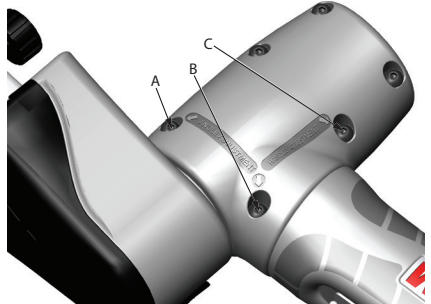


Fig. 4

Product Use: All statements, technical information and recommendations contained in this document are based upon tests or experience that 3M believes are reliable. However, many factors beyond 3M's control can affect the use and performance of a 3M product in a particular application, including the conditions under which the 3M product is used and the time and environmental conditions in which the product is expected to perform. Since these factors are uniquely within the user's knowledge and control, it is essential that the user evaluate the 3M product to determine whether it is fit for a particular purpose and suitable for the user's method of application.

Warranty and Limited Remedy: 3M warrants this tool against defects in workmanship and materials under normal operating conditions for one (1) year from the date of purchase. 3M MAKES NO OTHER WARRANTIES, EXPRESS OR IMPLIED, INCLUDING, BUT NOT LIMITED TO, ANY IMPLIED WARRANTY OF MERCHANTABILITY OR FITNESS FOR A PARTICULAR PURPOSE OR ANY IMPLIED WARRANTY ARISING OUT OF A COURSE OF DEALING, CUSTOM OR USAGE OF TRADE. User is responsible for determining whether the 3M tool is fit for a particular purpose and suitable for user's application. User must operate the tool in accordance with all applicable operating instructions, safety precautions, and other procedures stated in the operating manual to be entitled to warranty coverage. 3M shall have no obligation to repair or replace any tool or part that fails due to normal wear, inadequate or improper maintenance, inadequate cleaning, nonlubrication, improper operating environment, improper utilities, operator error or misuse, alteration or modification, mishandling, lack of reasonable care, or due to any accidental cause. If a

tool or any part thereof is defective within this warranty period, your exclusive remedy and 3M's sole obligation will be, at 3M's option, to repair or replace the tool or refund the purchase price.

Limitation of Liability: Except where prohibited by law, 3M and seller will not be liable for any loss or damage arising from the 3M product, whether direct, indirect, special, incidental or consequential, regardless of the legal theory asserted, including warranty, contract, negligence or strict liability.

Submitting a Warranty Claim: Contact your dealer when submitting a warranty claim in accordance with the restrictions listed above. Please note that all warranty claims are subject to manufacturer's approval. Be sure to keep your sales receipt in a safe place. This must be submitted when filing a warranty claim, within 1 year from the date of purchase. For additional assistance call 1-800-362-3550.

Product Repair after Warranty Has Expired: Repair of 3M Abrasive Power tools that are not under warranty is available through 3M or a 3M Authorized Tool Repair Representative. Contact your 3M Abrasive Power Tool Distributor for details, or call 1-800-362-3550.

EC Declaration of Conformity



Manufacturers Name: 3M, Abrasive Systems Division
Manufacturers Address: 3M Center, Building 223-6N-02
 St Paul, MN USA 55144

Does hereby declare that the machinery described below complies with those applicable essential health and safety requirements of the Machinery Directive 2006/42/EC; together with all amendments to date.

Description: 3M™ File Belt Sander, 1/8-3/4 in x 18-24 in (3-19 mm x 457-610 mm), 22,000 RPM, 4990 SFPM (1521 smm); Packaged as tool alone or in "kit" form with accessories

Model Number: 28366 (tool alone), 28367 (kit)

The following standards have either been referred to, or complied with, in full or in part as relevant:

EN ISO 12100-1:2003 A1:2009	Safety of machinery. Basic concepts, general principles for design – Basic terminology and Technical principals
EN ISO 12100-2:2003 A1:2009	Hand-held non-electric power tools – Safety Requirements – Part 8: Sanders and Polishers
EN 792-8:2001 A1:2008	Safety of machinery. Safety requirements for fluid power systems and components - Pneumatics
EN 983:1996 A1:2008	Safety of machinery. Risk assessment principles
EN ISO 14121-1:2007	Hand-held portable power tools – Measurement of vibrations at the handle – Part 1: General
EN ISO 28662-1:1992	Hand-held motor-operated electric tools. Safety. General requirements
IEC EN 60745-1:2006*	Hand-held motor-operated electric tools. Safety. Particular requirements for sanders and polishers other than disk type
IEC EN 60745-2-4:2003 A1:2007*	Hand-held non-electric power tools. Noise measurement code. Engineering method (grade 2)
EN ISO 15744:2008	

*applied for vibration measurements only; reduced feed force – refer to product specifications.

Full Name of responsible person:

Stefan A. Babirad

Position: Technical Director

Signature: 

Date: 
 St Paul, Minnesota, USA

3M
 Abrasive Systems Division
 3M Center
 St. Paul, MN 55144-1000
 www.3M.com/abrasives

© 3M 2014.
 3M is a trademark of 3M Company.



MANUEL D'INSTRUCTIONS POUR PONGEUSE-LIME À COURROIE 1/8-3/4 po. x 18-24 po. (3-19 mm x 457-610 mm) 22.000 tr/min, 4990 SFPM (pieds extérieurs par minute) (1521 smm- smètres extérieurs par minute)

Directives de sécurité importantes

Lire, comprendre et observer toutes les consignes de sécurité de ce guide avant d'utiliser cet outil. Conserver ce guide pour référence ultérieure.

Utilisation prévue

Cet outil pneumatique est destiné au secteur industriel et son utilisation n'est réservée qu'aux professionnels compétents et qualifiés aptes à respecter les directives énoncées dans le présent manuel. Cet outil pneumatique est conçu pour être utilisé avec le tampon pour disques et les tampons à lustrer en mousse 3M appropriés, de même qu'avec les pâtes à lustrer ou à polir, ou avec les disques abrasifs destinés au ponçage ou au lustrage des surfaces en métal, en bois, en pierre, en plastique et autres matériaux. N'utiliser cet outil que pour des travaux de ponçage ou de lustrage et respecter la capacité et les valeurs nominales indiquées. Seuls les accessoires spécifiquement recommandés par 3M doivent être utilisés avec cet outil. Une utilisation ou des accessoires impropres pourraient créer des conditions dangereuses.

Ne pas utiliser l'outil dans l'eau ni dans des conditions excessivement humides.

Explication des mots-indicateurs



Mise en garde:

Indique une situation potentiellement dangereuse qui, si elle n'est pas évitée, peut causer la mort, des blessures graves et/ou des dommages matériels importants.



Avertissement:

Indique une situation potentiellement dangereuse qui, si elle n'est pas évitée, peut causer des blessures graves et/ou des dommages matériels mineurs ou modérés.

Veuillez lire les fiches signalétiques santé-sécurité (FSSS) avant d'utiliser ces matériaux.



Si vous n'avez pas accès aux FSSS, veuillez communiquer avec les matériaux de la pièce à travailler et des abrasifs pour obtenir des copies des FSSS.

MISE EN GARDE

L'exposition à la POUSSIERE produite par la pièce à travailler et/ou les matériaux abrasifs peut causer des dommages aux poumons et/ou d'autres blessures physiques. Utiliser un capteur de poussière ou fournir un dispositif à aspiration localisée, tel que stipulé dans la FSSS. Porter un dispositif de protection respiratoire homologué par le gouvernement et une protection pour la peau et les yeux. Le non-respect de cette mise en garde peut entraîner des dommages aux poumons et/ou des blessures physiques graves.



⚠ MISE EN GARDE

Mesures pour réduire les risques liés aux chocs causés par des produits abrasifs ou par un bris de l'outil, par des bords tranchants, par une pression dangereuse ou par une rupture, ou encore par les vibrations et le bruit :

- Lire, comprendre et observer toutes les consignes de sécurité de ce guide avant d'utiliser cet outil. Conserver ce guide pour référence ultérieure.
- L'entretien de cet outil est réservé à une personne ayant suivi une formation appropriée.
- Observer les conditions de sécurité. L'opérateur doit rester vigilant, porter des vêtements appropriés et ne pas manier l'outillage avec des facultés affaiblies par l'alcool, les médicaments ou la drogue.
- L'opérateur de l'outil et le personnel se trouvant dans l'espace de travail doivent porter des lunettes de sécurité, une protection contre le bruit et un masque anti-poussières. Observer la politique de sécurité de l'employeur en ce qui concerne les équipements de protection individuelle, ou la norme américaine ANSI Z87.1, ou encore les normes locales/nationales sur la protection des yeux et autres exigences de protection individuelle.
- Porter des vêtements protecteurs, adaptés au type de travail effectué.
- Ne jamais excéder la pression d'alimentation maximale indiquée (90 psi / 0,62 Mpa / 6,2 bars).
- Toujours porter une protection pour les yeux.
- L'outil ne doit pas être utilisé en présence de tiers.
- En cas de vibrations ou bruit inhabituels de l'outil en service, cesser immédiatement son utilisation et vérifier si des composantes sont usées ou endommagées. Corriger l'anomalie ou remplacer la composante défectueuse. Si l'outil produit toujours des vibrations ou du bruit inhabituel, le retourner à 3M pour une réparation ou un remplacement. Consulter à ce sujet les directives de garantie.
- Ne jamais utiliser l'outil sans que tous les dispositifs de protection ou de sécurité soient en place et en bon état de fonctionner.
- Ne jamais enlever ou désactiver le dispositif de sécurité du bouton de commande marche-arrêt de manière qu'il soit toujours en position de marche.
- Veiller à débrancher l'outil de sa source d'air comprimé avant une réparation, une inspection, une maintenance ou un nettoyage, et avant de changer le.
- Avant d'utiliser, vérifier l'état du produit abrasif et des accessoires à la recherche de traces de dommage. S'ils sont endommagés, les remplacer par un produit abrasif et des accessoires neufs disponibles auprès de 3M.
- N'utiliser que les accessoires fournis ou recommandés par 3M.
- Ne jamais laisser des enfants ou des personnes non qualifiées utiliser cet outil.
- Ne jamais laisser sans surveillance un outil raccordé à une source d'air comprimé.
- N'utiliser qu'avec les accessoires de montage recommandés par 3M; vérifier les exigences relatives aux accessoires de montage auprès de 3M.
- Avant l'utilisation, s'assurer que le dispositif de protection est orienté de façon à protéger l'utilisateur contre les projections et qu'il est convenablement fixé.
- Si l'outil est coincé, l'arrêter, débrancher le tuyau d'air et le décrocher. S'assurer que la courroie abrasive est bien fixée.
- Ne jamais utiliser l'outil sans que tous les dispositifs de protection ou de sécurité soient en place et en bon état de marche.

⚠ MISE EN GARDE

Pour réduire les risques associés aux vibrations :

- En cas de douleur ou de malaise au poignet ou à la main, arrêter sans délai le travail et consulter un médecin. Le travail et les gestes répétitifs, ainsi qu'une trop longue exposition aux vibrations peuvent causer des tendinites de la main ou du poignet.

Pour réduire les risques causés par les bruits intenses :

- Toujours porter un produit de protection de l'ouïe pendant l'utilisation de cet outil. Se conformer aux exigences relatives au matériel de protection individuelle qui figurent dans la politique de sécurité de son employeur ou dans les normes locales ou nationales.

Pour réduire les risques d'incendie ou d'explosion :

- Ne pas manier l'outil dans un milieu susceptible d'explosion, c.-à-d. là où il y a des liquides ou matières combustibles, des gaz ou de la poussière. Les abrasifs qui travaillent le métal produisent des étincelles, risquant d'enflammer la poussière ou les vapeurs inflammables.

- Consulter la FSSS qui porte sur le matériau de la pièce à travailler pour en connaître les risques potentiels de danger d'inflammabilité ou d'explosion.

Pour réduire les risques d'ingestion de poussière toxique, et l'exposition des yeux/de la peau :

- Porter une protection appropriée de la peau et des voies respiratoires, ou prévoir une ventilation conforme à la fiche technique santé-sécurité qui accompagne le produit sur lequel on travaille.

Pour réduire le risque de tension dangereuse:

- Cet outil n'est pas isolé contre les décharges; ne pas le mettre en contact avec des sources d'alimentation électrique.



AVERTISSEMENT

Pour réduire les risques d'éraflures, de coupures ou brûlures de la peau et éviter d'être happé:

- Garder les mains, les cheveux et les vêtements éloignés de la pièce en rotation de l'outil.

- Porter des gants de sécurité adéquats lorsque l'on manie l'outil.

- Lorsque l'outil est en service, ne toucher sous aucun prétexte les pièces en rotation.

- Ne pas forcer l'outil ni exercer une pression excessive sur la pièce usinée.

Pour réduire les risques de coup de fouet ou de rupture par pression:

- S'assurer que la conduite d'air est résistante à l'huile et que sa capacité nominale convient à la pression de service.

- Ne pas utiliser les outils dont les conduites d'air ou raccords sont desserrés ou endommagés.

- Ne pas oublier qu'une conduite ou raccord mal posé peut se décrocher soudainement sous la pression et provoquer un cinglage.

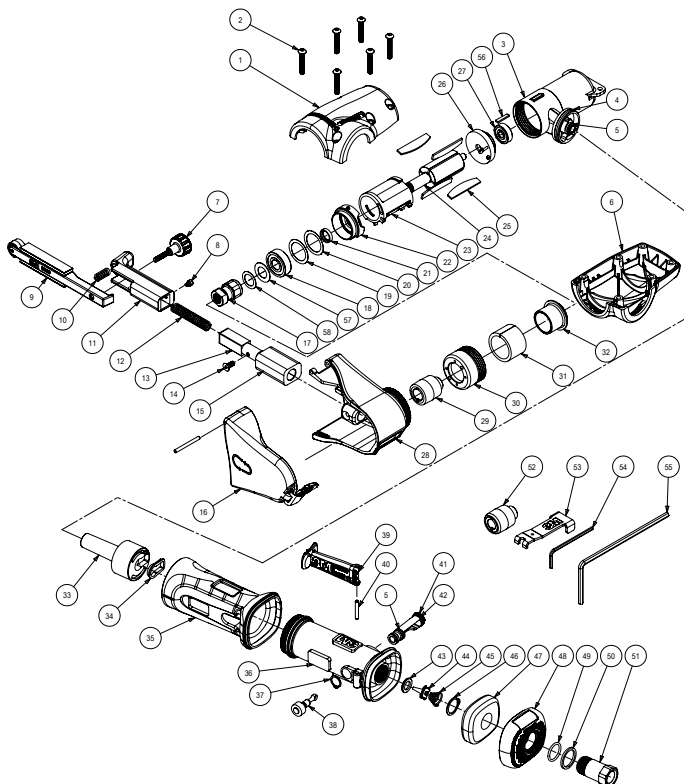
Pour éviter que les pièces ou produits abrasifs ne se décrochent:

- Fixer soigneusement le tampon à lustrer et le tampon pour disques; suivre les directives pour s'assurer que ces derniers sont fermement fixés à l'outil avant de l'utiliser.

- Ne jamais diriger l'outil vers soi ou vers autrui ni le mettre en marche par inadvertance.

- Ne jamais trop serrer les attaches des accessoires.

Page des pièces



Liste des pièces

Pièce	3M N° de produit	DESCRIPTION	Quantité
1	30611	LOGEMENT – GAUCHE	1
2	30612	M4 x 25 mm VIS D'ASSEMBLAGE À TÊTE HEXAGONALE	6
3	30613	BOÎTIER DU MOTEUR	1
4	30614	JOINT TORIQUE 31 mm ID x 1.5 mm LARGEUR	1
5	30615	JOINT TORIQUE 8 mm ID x 1 mm LARGEUR	2
6	30616	LOGEMENT – DROITE	1
7	30617	BOUTON DE RÉGLAGE DE L'ENTRAÎNEMENT / DE COMMANDE	1
8	30618	VIS D'ASSEMBLAGE À SIX PANS CREUX - M3 x 4, ACIER	1
9	28368	*BRAS POUR PONCEUSE-LIME À COURROIE STYLE STANDARD	1
10	30619	RESSORT DU GUIDE D'ENTRAÎNEMENT	1
11	30620	SUPPORT DU BRAS D'ENTRAÎNEMENT	1
12	30621	RESSORT – TENSION DE COURROIE	1
13	30622	MONTANT DU BRAS D'ENTRAÎNEMENT	1
14	30623	VIS D'ASSEMBLAGE MÉCANIQUE À TÊTE HEXAGONALE, M4 x 10	1
15	30624	CACHE-POUSSIÈRE	1
16	30625	ENSEMBLE PROTECTEUR DE COURROIE ET VERROU	1
17	28798	ADAPTATEUR POUR ERGOT D'ENTRAÎNEMENT	1
18	30627	10 mm x 26 mm x 8 mm SEARING – 2 BLINDAGES	1
19	30628	CALE – 25.4 mm OD x 19 mm OD x 0.02 mm ÉPAIS	1
20	30629	CALE – 25.4 mm OD x 19 mm OD x 0.02 mm ÉPAIS	1
21	30630	ESPACEUR 13.4 mm OD x 10.01mm ID x 3.2 mm ÉPAIS	1
22	30631	PLAQUE DE FOND – AVANT	1
23	30632	CYLINDRE	1
24	30633	ROTOR	1
25	30634	AILETTE DE ROTOR	4
26	30635	PLAQUE DE FOND – ARRIÈRE	1
27	30636	6 mm x 19 mm x 6 mm ROULEMENT À 2 BLINDAGES	1
28	30637	LOGEMENT DE LA COURROIE	1
29	30638	POULIE D'ENTRAÎNEMENT	1
30	30639	COLLECTEUR D'ÉCHAPPEMENT AVANT	1
31	30640	DIFFUSEUR	1
32	28799	ESPACEUR DE MOTEUR	1
33	30642	DÉFLECTEUR D'AIR	1
34	30643	JOINT D'ÉTANCHÉITÉ, DÉFLECTEUR D'AIR	1
35	30644	POIGNÉE	1
36	30645	POIGNÉE	1
37	30646	BAGUE DE RETENUE, 7/16 po.	1
38	30647	ENSEMBLE TIGE DE SOUPAPE	1
39	30649	ENSEMBLE DE LEVIER DE SÉCURITÉ	1
40	30650	TIGE À RESSORT	1
41	30651	RÉGULATEUR DE VITESSE	1
42	30652	JOINT TORIQUE 9 mm x 1.5 mm	1
43	30653	SIÈGE DE SOUPAPE	1
44	30654	SOUPAPE	1
45	30655	RESSORT DE SOUPAPE	1
46	30656	BAGUE DE RETENUE, 5/8 po.	1
47	30657	DIFFUSEUR	1
48	30658	COUVERCLE D'ÉCHAPPEMENT AVEC ÉTIQUETTES	1
49	30659	JOINT TORIQUE - 15.6 mm ID x 1.78 mm LARGEUR	1
50	30660	RONDELLE, ORIFICE D'ADMISSION D'AIR	1
51	30661	ADAPTATEUR D'ADMISSION D'AIR	1
52	30671	POULIE D'ENTRAÎNEMENT – CAOUTCHOUC	1
53	30672	CLÉ – ROUE D'ENTRAÎNEMENT	1
54	30674	CLÉ, 2.5 mm L-CLAVETTE	1
55	30673	CLÉ, 4.0 mm L-CLAVETTE	1
56	28800	JOINT D'ÉTANCHÉITÉ	1
57	55186	ÉCRAN ANTIPOUSSIÈRE DU PALIER AVANT	1
58	A0016	BAGUE D'ESPACEMENT - 18.0 mm OD x 12.1 mm ID x .02 THK	1

* Voir le dossier ceinturer le diagramme de bras de contact pour les bras additionnels

Configuration/Spécifications du produit : 22.000 tr/min Ponceuse-lime à courroie

Numéro de modèle	Taille du Courroies po. (mm)	Vitesse de moteur (tr/min)	Vitesse de la courroie SFPM (smm)	Poids net du produit lb (kg)	Grandeur po. (mm)	Longueur po. (mm)	Largeur po. (mm)	*Niveau de pression sonore en dBA (Puissance)	**Niveau de vibration m/s ² (ft/s ²)	**Incertitude K m/s ²
28366	¼-¾ x 18-24 (6-9 x 457-610)	22.000	4990 (1521)	2.8 (1.3)	2.93 (74.5)	14.57 (370)	5.95 (151.2)	81 (90)	<2.5 (<8.2)	N/A

* Niveaux de bruit déclarés; mesures effectuées conformément à la norme EN ISO 15744:2008.

** Niveaux de vibrations déclarés selon la norme EN12096; mesures effectuées conformément aux normes EN ISO 28662-1:1992; EN 60745-1:2006 et EN 60745-2-4:2007, sauf que la force d'avance a été réduite à 10N +/- 5N en raison du côté peu pratique de faire marcher ce petit outil à 30N +/- 5N conformément à la norme.

REMARQUE IMPORTANTE: Les niveaux de bruit et de vibration indiqués dans le tableau ont été établis à la suite d'essais effectués en laboratoire conformément aux codes et aux normes prescrits. Ils ne suffisent pas à l'évaluation des risques pour tous les types d'exposition. Les valeurs d'exposition réelles et le niveau de risque ou de danger pour une personne varient selon chaque situation : le milieu environnant, la méthode de travail de l'opérateur, la pièce qui est usinée, l'aménagement du poste de travail, la durée de l'exposition et la condition physique de l'opérateur. En conséquence, 3M™ décline toute responsabilité à la suite de l'utilisation, comme référence, des valeurs déclarées au lieu des valeurs réelles d'exposition pour évaluer le danger auquel une personne est exposée.

Directives d'utilisation

AVANT LA MISE EN SERVICE

Cette meule est destinée à être utilisée comme outil à main. Il est recommandé à l'opérateur de se tenir bien d'aplomb sur un sol ferme, le corps stable et l'outil bien en main. Il doit s'attendre à ce que la ponceuse produise un effet de torsion. Voir la section

« POUR VOTRE SÉCURITÉ ».

Utiliser une alimentation en air lubrifiée et propre; la pression d'air mesurée à l'outil (en service, le levier enfoncé à fond) doit être de 6,2 bars (90 psig). Il est conseillé d'utiliser une conduite d'air comprimé homologuée de 10 mm (3/8 po), d'une longueur maximale de 8 m (25 pi). Se référer à la figure 1 pour brancher l'outil à la source d'air. Ne pas brancher l'outil au circuit d'air comprimé en l'absence d'un robinet de sectionnement d'accès facile. Il est en outre fortement recommandé de poser un filtre à air, un régulateur et un lubrificateur (FRL) (Figure 1) pour alimenter l'outil en air propre, lubrifié et à la bonne pression. Toujours utiliser un régulateur de pression d'air pour l'outil en service lorsque la pression d'alimentation excède la pression nominale de l'outil. S'informer auprès de son marchand d'outillage sur les caractéristiques d'un tel équipement. Si ce genre d'équipement n'est pas utilisé, l'outil doit alors être lubrifié manuellement. À ces fins, débrancher la conduite d'air, puis verser 2 à 3 gouttes d'huile de graissage pour moteurs pneumatiques dans l'entrée de la conduite (côté arrivée d'air). Huiles appropriées : lubrifiant 3M™ pour outils pneumatiques, réf. 20451; Kosan FK-20 de Fuji; ALMO 525 de Mobil. Rebrancher l'outil à l'alimentation d'air, puis le faire tourner à bas régime quelques secondes pour favoriser une bonne lubrification. Lors d'un usage fréquent, lubrifier l'outil tous les jours ou en cas de baisse de régime ou perte de puissance. La pression d'air recommandée à l'outil en service est de 6,2 bars (90 psig), ce qui évite de dépasser la vitesse de rotation maximale. L'outil peut être utilisé à des pressions inférieures, mais ne doit jamais excéder 6,2 bars (90 psig). Le rendement de l'outil à une pression plus basse sera évidemment inférieur.

Diamètre minimal recommandé du tuyau d'air comprimé		Longueur maximale recommandée du tuyau d'air comprimé		Pression d'air	
10 mm	3/8 po	8 mètres	25 pi	Pression de service maximale	6,2 bars (90 lb/po ²)
				Pression minimum recommandé	S. O. S. O.

Mesures de sécurité

1. Lire toutes les directives avant de mettre l'outil en service. L'opérateur doit avoir suivi une formation complète sur son utilisation et avoir pris connaissance de ces consignes de sécurité.
2. Vérifier régulièrement le régime de l'outil afin de s'assurer qu'il tourne à la bonne vitesse de fonctionnement.
3. S'assurer que l'outil est débranché de l'alimentation d'air.
4. Toujours porter le matériel de protection requis quand on utilise cet outil.
5. Toujours débrancher le tuyau d'air comprimé de l'outil avant l'installer, l'ajuster ou l'enlever l'abrasif ou le disque tampon.
6. Toujours avoir une posture stable, une prise ferme et être conscient de l'effet de couple de la polisseuse.
7. Utiliser uniquement les pièces de rechange homologues 3M.
8. Toujours s'assurer que la pièce à poncer est bien fixée de manière à ne pas bouger.
9. Vérifier régulièrement l'usure du tuyau et des raccords. Ne pas transporter l'outil en le tenant par le tuyau; éviter de mettre en marche l'outil par inadvertance en le déplaçant lorsque le tuyau est raccordé.
10. La poussière peut être très inflammable.
11. Après l'entretien ou un nouvel accouplement de l'outil, vérifier que sa vitesse de rotation maximale n'est pas dépassée et qu'il ne vibre pas de façon excessive.
12. Ne jamais excéder la pression d'air maximale recommandée. Observer les recommandations à propos de l'équipement de sécurité.
13. L'outil n'est pas isolé électriquement. Ne pas l'utiliser en cas de contact possible avec un équipement sous tension, des conduites de gaz ou d'eau.
14. Comme cet outil n'est pas protégé contre les risques inhérents au meulage et au coupage, éviter l'y fixer des accessoires conçus pour ces tâches.
15. Prendre garde que les éléments rotatifs de l'outil ne s'entravent pas dans les vêtements, les attaches, les cheveux, les chiffons de nettoyage ou les objets lâches suspendus. Dans ces cas, couper immédiatement l'arrivée l'air pour éviter l'entrer en contact avec les éléments rotatifs.
16. Si l'outil semble mal fonctionner, cesser immédiatement de l'utiliser et le faire réparer.
17. Éviter de faire tourner l'outil librement sans protéger les personnes ou les objets contre les projections de ponçage ou de tampon.
18. Ranger l'outil après utilisation dans un lieu sec et propre, n'ayant aucun débris.
19. Recycler ou jeter l'outil en conformité avec les réglementations Locales.

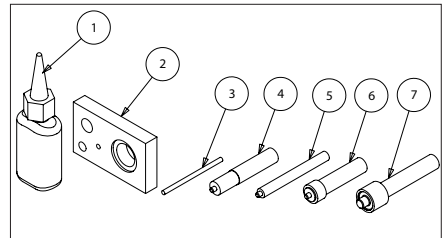
Bras de contact pour courroie 3M™

Les bras de contact 3M conviennent parfaitement à la ponceuse à courroie 3M. Fabriqués à partir de matériaux de qualité industrielle supérieure, leur durabilité, de même que leur fabrication précise, en font des compléments de premier choix pour la ponceuse à courroie 3M. Le tableau ci-dessous est un exemple des produits offerts.

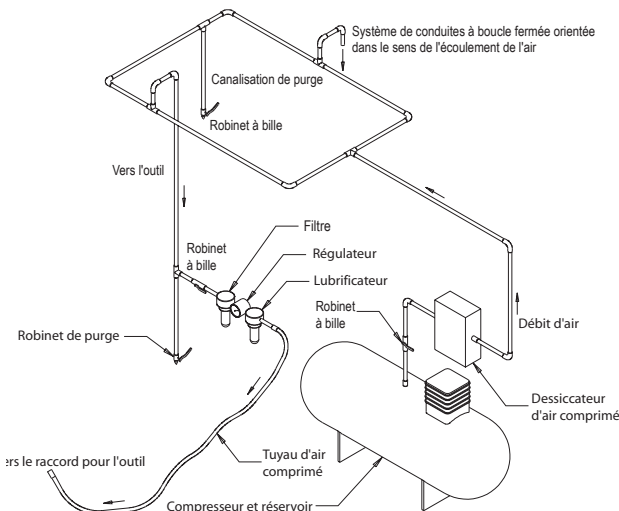
Consulter le catalogue d'accessoires 61-5002-8098-9 de la Division des systèmes abrasifs de 3M pour des accessoires additionnels.

Trousse d'entretien

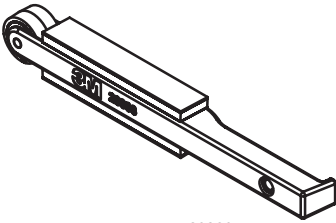
Description	N° de produit
Trousse d'entretien	30670



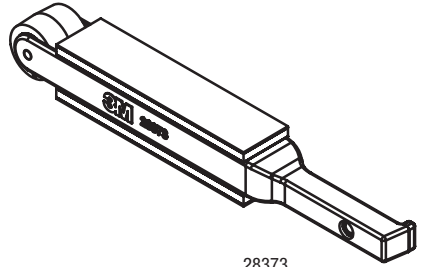
NUMÉRO DU COMPOSANT	Description	Quantité
1	COMPOSÉ DE BLOCAGE	1
2	SABOT DE ROUE	1
3	OUTIL POUR LE RETRAIT DE L'ARBRE	1
4	OUTIL POUR LE RETRAIT DU ROULEMENT, D.I. DE 3/8 po.	1
5	OUTIL POUR LE RETRAIT DU ROULEMENT, D.I. DE 1/4 po.	1
6	OUTIL POUR LE MONTAGE DU ROULEMENT	1
7	OUTIL POUR DE ROULEMENT, D.I. DE 5/8 po.	1



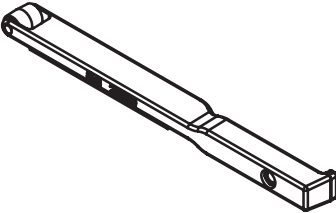
Bras de contact pour courroie



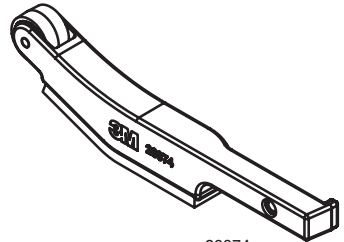
28368



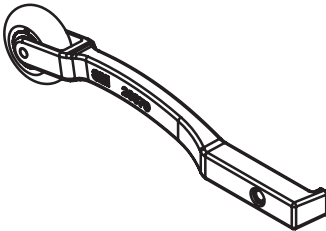
28373



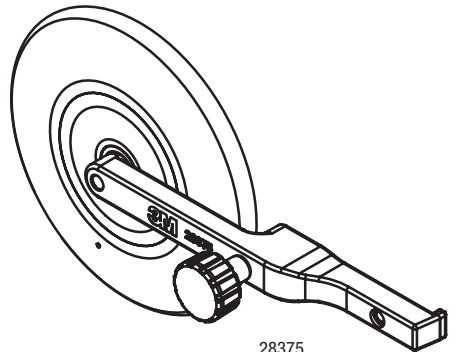
28369



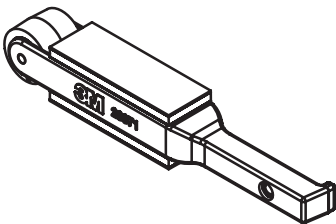
28374



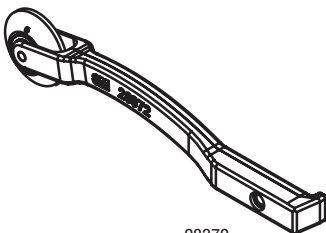
28370



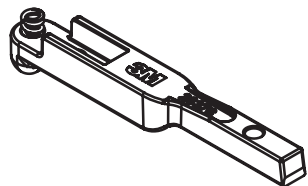
28375



28371



28372



28376

Bras de contact pour ponçeuse-lime à courroie

Description du bras de contact pour ponçeuse-lime à courroie	N° de Bras	N° de la trousse de réparation	Description	Quantité
Style Épais Standard	28371	30664	Coussinet, platine en néoprène 3/4 po. de largeur	2
			Roue de contact, 3/4 po. de diam. 5/8 po. de largeur diam.	1
			Roulement à billes, 3/8 po. de diamètre externe x 1/8 po. de diamètre interne x 5/32 po. de largeur	2
			Arbre, 1/8 po. de diamètre x 3/4 po. de largeur, roue de contact à roulement à billes	1
Bras de 20 1/2 po.	28373	30665	Coussinet, platine en liège 3/4 po. de largeur	2
			Roue de contact, 3/4 po. de diam. x 5/8 po. de largeur Diam.	1
			Roulement à billes, 3/8 po. de diamètre externe x 1/8 po. de diamètre interne x 5/32 po. de largeur	2
			Arbre, 1/8 po. de diamètre x 3/4 po. de largeur, roue de contact à roulement à billes	1
Style Standard	28368	30663	Coussinet, platine en neoprene 1/2 po. de largeur	2
			Roue de contact, 5/8 po. de diam. x 3/8 po. de largeur Diam.	1
			Arbre, 1/8 po. de diamètre x 1/2 po. de largeur, roue de contact à roulement à billes	1
			Roulement à billes, 3/8 po. de diamètre externe x 1/8 po. de diamètre interne x 5/32 po. de largeur	2
Style Mince	28369	30667	Coussinet, platine de 1/2 po. de largeur	1
			Roulement à billes, 1/4 po. de diamètre externe x 1/8 po. de diamètre interne x 7/64 po. de largeur	2
			Roue de contact, 5/16 po. de diam. x 3/8 po. de largeur Diam.	1
			Arbre, 1/8 po. de diamètre x 1/2 po. de largeur, roue de contact à roulement à billes	1
Style Pour Coins	28370	30668	Roulement à billes, 3/8 po de diamètre externe x 1/8 po. de diamètre interne x 5/32 po. de largeur	2
			Arbre, 1/8 po. de diamètre x 1/2 po. de largeur, roue de contact à roulement à billes	1
			Roue de contact, 1 po. de diam. x 3/8 po. de largeur Diam.	1
Style Pour Coins	28372	30666	Roue de contact, 1 po. de diam. x 3/8 po. de largeur Diam.	1
			Roulement à billes, 3/8 po. de diamètre externe x 1/8 po. de diamètre interne x 5/32 po. de largeur	2
			Arbre, 1/8 po. de diamètre x 1/2 po. de largeur, roue de contact à roulement à billes	1
Bras Incurvé	28374	30662	Coussinet, platine en liège 1/2 po. de largeur	1
			Roue de contact, 5/8 po. de diam. x 3/8 po. de largeur Diam.	1
			Roulement à billes, 3/8 po. de diamètre externe x 1/8 po. de diamètre interne x 5/32 po. de largeur	2
			Arbre, 1/8 po. de diamètre x 1/2 po. de largeur, roue de contact à roulement à billes	1
Bras de Réceptif	28375	30669	RONDELLE	1
			Roulement à billes, 5/8 po. x 1/4 po. x .196 po.	2
			Roue de contact – 4 po.	1
			Vis à douille, 1/4-28 x 3/4 po.	1
Rallonge	28376	S.O.	Ressort du Guide D'Entrainement	1
			Vis	1

Installation et retrait de la courroie abrasive

Pour installer/retirer la courroie :

1. Débrancher le tuyau d'admission d'air.
2. Tourner le verrou du protecteur de courroie pour le dégager.
3. Faire pivoter le protecteur de courroie vers le haut pour exposer la poulie d'entraînement.
4. Tirer sur le support du bras d'entraînement pour relâcher la tension exercée sur la courroie.
5. Retirer et remplacer la courroie, puis relâcher le support du bras de centrage pour rétablir la tension sur la courroie.
6. Faire pivoter le protecteur de courroie vers le bas puis rabattre le verrou pour fixer le protecteur en place.
7. Rebrancher le tuyau d'admission d'air.
8. Régler l'entraînement de la courroie en tournant le bouton vers la gauche ou la droite, au besoin, pendant que l'outil est en marche.

Réglage de l'entraînement de la courroie

Pour régler l'entraînement de la courroie :

1. Pendant que l'outil est en marche, tourner la molette vers la gauche ou à droite de manière à ce que la courroie abrasive soit centrée sur la roue du bras de contact. (Voir la fig. 2)
2. Toujours appliquer le côté retour de la courroie sur la pièce à travailler en vue de maintenir un entraînement approprié.

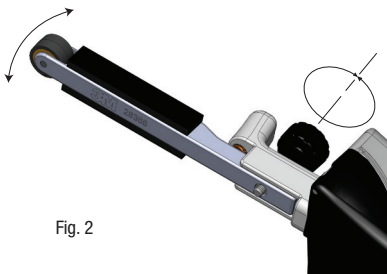


Fig. 2

Réglage de la position du logement de la courroie et de la poignée

Pour régler la position du logement de la courroie:

1. Débrancher le tuyau d'admission d'air.
2. Desserrer les vis d'assemblage M4 « A » et « B »: (Voir la fig. 4)
3. Faire pivoter le logement de la courroie jusqu'à la position désirée. Les différentes positions sont indiquées par des crans sur une plage de 360 degrés.
4. Serrer les vis d'assemblage M4 « A » et « B »:

Pour régler la position de la poignée/du levier:

1. Débrancher le tuyau d'admission d'air.
2. Desserrer les vis d'assemblage M4 « B » et « C »: (Voir la fig. 4)
3. Faire pivoter la poignée/le levier jusqu'à la position désirée. Les différentes positions sont indiquées par des crans sur une plage de 360 degrés.
4. Serrer les vis d'assemblage M4 « B » et « C »:

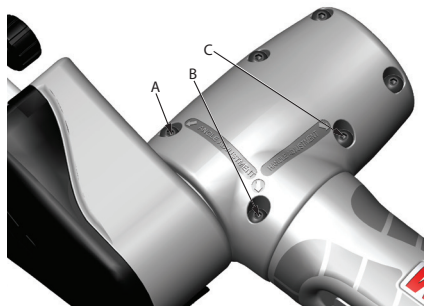


Fig. 4

Montage et retrait des bras de contact

Pour installer/remplacer le bras de contact :

1. Débrancher le tuyau d'admission d'air.
2. Tourner le verrou du protecteur de courroie pour le dégager.
3. Faire pivoter le protecteur de courroie vers le haut pour exposer la poulie d'entraînement.
4. Tirer sur le support du bras d'entraînement pour relâcher la tension exercée sur la courroie.
5. Retirer la courroie.
6. Retirer le bouton de réglage de l'entraînement.
7. Retirer le bras de contact et le remplacer par le bras désiré. S'assurer que la languette à l'extrémité du bras se trouve dans la rainure du support du bras de centrage. (Voir la fig. 3)
8. Remettre le bouton de réglage de l'entraînement en place et le serrer dans la douille fileté du bras de contact de manière à ce que le bras soit le plus droit possible.
9. Installer la courroie abrasive et fixer le protecteur de courroie.
10. Brancher le tuyau d'admission d'air et régler l'entraînement de la courroie en tournant le bouton de réglage de l'entraînement, au besoin, pendant que l'outil est en marche.

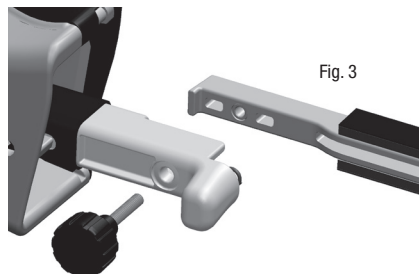


Fig. 3

Utilisation du produit: Les déclarations, informations et recommandations techniques données dans ce guide reposent sur des essais ou une expérience que 3M juge fiables. Néanmoins, plusieurs facteurs indépendants de la volonté de 3M peuvent affecter l'usage et le rendement d'un produit 3M dans une application particulière, notamment les conditions d'utilisation du produit 3M, sa durée d'utilisation et le milieu environnant dans lequel il est utilisé. Puisque ces facteurs dépendent uniquement de la connaissance et de la volonté de l'opérateur, il est primordial que ce dernier évalue le produit 3M pour savoir s'il convient à un usage particulier et à la méthode d'application souhaitée.

Garantie et dédommagement limités: 3M garantit cet outil contre les défauts de pièces et de main-d'œuvre, en utilisation normale, pendant un (1) an à compter de la date d'achat. IL N'EXISTE AUCUNE AUTRE GARANTIE 3M, EXPRESSE OU IMPLICITE, Y COMPRIS, SANS S'Y LIMITER : LES GARANTIES IMPLICITES DE QUALITÉ MARCHANDE OU D'APTITUDE À UN EMPLOI PARTICULIER; LES GARANTIES IMPLICITES À L'ISSUE D'UNE NÉGOCIATION, D'UN USAGE OU D'UNE PRATIQUE DE COMMERCE. L'utilisateur a la responsabilité de déterminer si l'outil 3M est adapté à un usage particulier et convient à l'application choisie pour cet outil. Cet outil doit être manié en conformité avec le mode d'emploi, les consignes de sécurité et autres procédures applicables données dans le guide d'utilisation, sinon sa garantie sera sans effet. 3M n'aura pas l'obligation de réparer ou remplacer une pièce ou un outil défectueux dans les cas suivants : usure normale, maintenance insuffisante ou incorrecte, mauvais nettoyage, aucune lubrification, milieu de fonctionnement impropre, installations inadéquates, erreur ou utilisation fautive de l'opérateur, transformation ou modification, maniement sans précaution, manque d'entretien raisonnable, accident. En cas de défectuosité de

l'outil ou de l'une de ses pièces pendant la période de garantie, la seule obligation de 3M sera, à sa discrétion, la réparation ou le remplacement de l'outil, ou encore le remboursement de son prix d'achat.

Responsabilité limitée: Sauf lorsque cette limitation n'est pas autorisée par la loi, 3M et le vendeur ne pourront être tenus responsables des pertes ou dommages (directs, indirects, particuliers ou accessoires) causés par un produit 3M, quelle que soit la théorie juridique invoquée, y compris : garantie, contrat, négligence, responsabilité sans faute. Recourir à la garantie : contacter son détaillant pour présenter un recours conforme aux restrictions indiquées ci-dessus. À noter que les recours de garantie sont sous réserve de l'autorisation du fabricant. Veillez à conserver votre reçu en lieu sûr. Celui-ci devra accompagner la demande, présentée dans les 12 mois suivant la date d'achat.

Soumettre une réclamation au titre de la garantie: Communiquer avec le distributeur de sa région pour une réclamation au titre de la garantie en conformité avec les restrictions énoncées plus haut. Prendre note que toutes les réclamations au titre de la garantie sont assujetties à l'approbation du fabricant. S'assurer de bien conserver les reçus de vente. Ils seront nécessaires pour soumettre une réclamation au titre de la garantie dans l'année suivant la date d'achat. Pour obtenir de l'aide, composez le 1 800 362-3550.

Réparation du produit lorsque la garantie est échue: La réparation d'outils électriques 3M pour abrasifs qui ne sont pas couverts par une garantie peut être demandée auprès de 3M ou au représentant autorisé de réparation d'outils 3M. Communiquez avec votre distributeur d'outils électriques 3M pour abrasifs pour obtenir les détails, ou composez le 1 800 362-3550

Déclaration CE de Conformité



Nom du fabricant: 3M Abrasive Systems Division
Adresse du fabricant: 3M Center, Bu lding 22 3-6N-02
 St Paul, MN USA 55144

Déclare par la présente que les machines décrites ci-dessous sont conformes aux exigences essentielles en vigueur en matière de santé et sécurité de la norme « Directive Machinerie 2006/42/EC », ainsi qu'à ses modifications les plus récentes.

Description: Ponceuse-limé à courroie 3M™, 1/8-3/4 po. x 18-24 po. (3-19 mm x 457-610 mm) 22.000 tr/min, 4990 SFPM (pieds extérieurs par minute) (1521 smm- smètres extérieurs par minute) ; Emballé comme outil seul ou sous la forme de « néce ssaire » avec des accessoires.

Numéros de modèles : 28366 (seul outil), 28367 (nécessaire)

Revoi ou conformé, pertinents en tout ou partie, aux normes suivantes :

EN ISO 12100-1:2003 A1:2009	Sécurité des machines. Concepts de base, principes généraux de conception –
EN ISO 12100-2:2003 A1:2009	Terminologie de base et principes techniques
EN 792-8:2001 A1:2008	Outils motorisés à main, non électriques – Normes de sécurité – Partie 8 : Ponceuses et polisseuses
EN 983:1996 A1:2008	Sécurité des machines. Normes de sécurité pour les systèmes et composantes hydrauliques – Outils pneumatiques
EN ISO 14121-1:2007	Sécurité des machines. Principes d'évaliati on des risques
EN ISO 28662-1:1992	Outils motoris és portatifs manuels – Mesure des vibrations à la poignée– Partie 1 : Généralités
IEC EN 60745-1:2006*	Outils élect riques manuels. Sécurité. Exigences générales
IEC EN 60745-2-4:2003 A1:2007*	Outils électriques manuels. Sécurité. Exigences particulières pour les ponceuses et les polisseuses autres que le type de disque
EN ISO 15744:2008	Outils motorisés à main, non électriques. Code de mesure du bruit. Méthode d'ingénierie (catégorie 2)

* s'appliquent aux mesures des niveaux de vibrations seulement; force d'avance - consulter les spécifications sur le produit.

Nom complet du responsable :
 Stefan A. Babirad **Poste :** Directeur technique

Signature: **Date:**

Nom et adresse de la personne responsable de la compilation des dossiers techniques au sein de la communauté : Monsieur Claus Geiger – Opérations marketing, Abras. Syst. Div, 3M Deutschland GmbH, Carl-Schurz-Strasse 1, D-41453 Nuess, Allemagne

3M
 Abrasive Systems Division
 3M Center
 St. Paul, MN 55144-1000
www.3M.com/abrasives

© 3M 2014.
 3M est une marque de commerce de 3M.



BEDIENUNGSANLEITUNG FÜR DRUCKLUFTFEILE

1/8-3/4 Zoll x 18-24 Zoll (3-19 mm x 457-610 mm) 22.000 U/min, Bandgeschwindigkeit 1521m/min

Wichtige Sicherheitsinformationen

Vor der ersten Anwendung dieses Werkzeug lesen, verstehen und befolgen Sie bitte die in dieser Anleitung enthaltenen Sicherheitsinformationen. Bewahren Sie diese Anleitung für zukünftige Einsichtnahme auf.

Verwendungszweck

Dieses pneumatische Werkzeug wurde für den Industrieinsatz konzipiert und soll nur durch ausgebildete, geschulte Fachleute gemäß den Instruktionen in diesem Handbuch verwendet werden. Dieses pneumatische Werkzeug wurde für die Verwendung mit einem Kontaktarm und geeigneten Schleifbändern zum abschmirgeln von Metallen, Holz, Stein, Kunststoffen und anderen Materialien entwickelt. Es sollte ausschließlich für solche Schmirgelarbeiten und innerhalb der angegebenen Kapazitäten und Leistung verwendet werden. Dieses Werkzeug sollte nur mit speziell von 3M empfohlenen Zubehör verwendet werden. Jegliche von dieser Beschreibung abweichende Verwendung oder der Einsatz von abweichendem Zubehör kann zu unsicheren Betriebsbedingungen führen.

Setzen Sie das Werkzeug nicht in Wasser oder in übermäßig feuchten Anwendungen ein.

Erklärung der Warnsymbole und deren Bedeutung

	WARNUNG:	Weist auf eine potentiell gefährliche Situation hin, die zum Tode oder ernststen Verletzungen und/oder Sachschäden führen kann, wenn sie nicht vermieden wird.
	VORSICHT	Weist auf eine potentiell gefährliche Situation hin, die zu geringfügigen oder mittelschweren Verletzungen und/oder Sachschäden führen kann, wenn sie nicht vermieden wird.

Lesen Sie das Material-Sicherheitsdatenblatt (MSDB), bevor Sie irgendwelche Materialien verwenden.

Kontaktieren Sie die Lieferanten für die Materialien der Werkstücke und Schleifmaterialien und bitten Sie um die MSDB, falls irgendeins nicht zur Verfügung stehen sollte.

⚠️ WARNUNG

Schleifmaterialien kann zu Lungenschädigungen führen und/oder zu anderen körperlichen Verletzungen. Verwenden Sie eine Abtriebführung oder Entlüftung am Arbeitsplatz, wie in den MSDB aufgeführt. Tragen Sie offiziell zugelassene Atemschutzausrüstung sowie Augen- und Hautschutz. Das Nichtbeachten dieser Warnung kann zu ernststen Lungenschädigungen und/oder körperlichen Verletzungen führen.



⚠️ WARNUNG

Zur Reduzierung der Risiken, die durch die Auswirkungen des Schleifens, durch Schäden am Werkzeug, scharfe Kanten, gefährliche Drücke, Abrisse, Erschütterungen und Lärm auftreten können:

- Lesen, verstehen und befolgen Sie bitte die in dieser Anleitung enthaltenen Sicherheitsinformationen. Bewahren Sie diese Anleitung für zukünftige Einsichtnahme auf.
- Sollten nur ordnungsgemäß geschulte Mitarbeiter eine Wartung an diesem Werkzeug vornehmen dürfen.
- Halten Sie Sicherheitsanforderungen ein. Arbeiten Sie aufmerksam, tragen Sie geeignete Kleidung und bedienen Sie niemals Werkzeuge unter Alkohol- oder Medikamenteneinfluss.
- Bediener und andere Mitarbeiter müssen stets Augen- und Ohrenschutz, als auch einen Atemschutz tragen, wenn sie sich im Arbeitsbereich befinden oder mit diesem Produkt arbeiten. Befolgen Sie die Sicherheitsrichtlinien Ihres Arbeitgebers für persönliche Schutzausrüstungen und/oder ANSI Z87.1 oder lokale/nationale Normen für Augenschutz und sonstige Anforderungen an die persönliche Schutzausrüstung.
- Tragen Sie für die Art der Anwendung geeignete Schutzkleidung.
- Überschreiten Sie niemals den angegebenen max. Eingangsdruck (90PSI / 0,62Mpa / 6,2Bar).
- Es muss jederzeit ein geeigneter Augenschutz getragen werden.
- Die Werkzeuge sollten nicht im Beisein von Umherstehenden bedient werden.
- Wenn Sie bei der Benutzung des Werkzeugs unnormale Geräusche oder Vibrationen bemerken sollten, unterbrechen Sie die Anwendung sofort und prüfen das Gerät auf verschlissene oder beschädigte Komponenten. Korrigieren oder ersetzen Sie die verdächtige Komponente. Wenn das unnormale Geräusch oder die Vibration fortbestehen, senden Sie das Werkzeug zweckge Reparatur oder Austausch an 3M ein. Siehe Instruktionen zur Garantie.
- Verwenden Sie das Werkzeug niemals ohne aktivierte Sicherheitsfunktionen oder wenn das Werkzeug nicht vollständig funktionstüchtig ist.
- Überbrücken oder deaktivieren Sie niemals die Sicherheitsfunktionen der Start-/Stopp-Kontrolle, so dass diese auf eingeschalteter Position steht.
- Stellen Sie vor jeglicher Reparatur, Überprüfung, Wartung, Reinigung und vor dem Austausch des Schleifmediums sicher, dass das Werkzeug nicht mehr angeschlossen ist.
- Überprüfen Sie vor der Verwendung das Schleifmittel und die Zubehöerteile auf mögliche Schäden. Bei Schäden ersetzen Sie das Schleifmittel und Zubehör durch neue Produkte, die bei 3M erhältlich sind.
- Verwenden Sie ausschließlich Zubehöerteile, die von 3M geliefert oder empfohlen werden.
- Lassen Sie niemals zu, dass dieses Gerät durch Kinder oder unkundige Personen bedient wird.
- Lassen Sie unbeaufsichtigte Geräte niemals an der Luftquelle angeschlossen.
- Verwenden Sie ausschließlich von 3M empfohlene Befestigungsteile; erfragen Sie bei 3M die erforderlichen Hardware-Anforderungen.
- Stellen Sie vor der Verwendung sicher, dass der Schutz so ausgerichtet ist, dass er den Bediener vor fliegenden Fragmenten schützen kann und dass dieser sicher befestigt ist.
- Bei verklemmtem Werkzeug schalten Sie das Werkzeug aus, entfernen den Luftschlauch und beseitigen die Verklemmung.
- Benutzen Sie dieses Werkzeug niemals ohne Schutzvorrichtung und ohne aktivierte Schutzfunktionen oder wenn dieses nicht in ordnungsgemäßem Zustand ist.

⚠️ WARNUNG

Zur Reduzierung der Risiken durch Vibration:

- Bei körperlichem Beschwerden an Hand/Handgelenk sollte die Arbeit umgehend unterbrochen und ein Arzt aufgesucht werden. Hand-, Arm- und Gelenkschäden können auf monotone Arbeit, Bewegung und Überbeanspruchung durch Vibrationen zurückzuführen sein.

Zur Reduzierung der Risiken durch Lärm:

- Tragen Sie beim Bedienen dieses Werkzeugs stets einen Gehörschutz. Befolgen Sie die Sicherheitsrichtlinien Ihres Arbeitgebers und/oder lokale/nationale Normen für die Anforderungen an die persönliche Schutzausrüstung.

Zur Reduzierung der Gefahren durch Feuer oder Explosion:

- Verwenden Sie das Werkzeug nicht in explosiven Atmosphären, wie beispielsweise bei Vorhandensein von brennbaren Flüssigkeiten, Gasen oder Staub. Die Schleifmittel können bei der Bearbeitung von Material Funken bilden, wodurch sich brennbarer Staub oder Dämpfe entzünden können.

- Nehmen Sie hinsichtlich der Brand- oder Explosionsgefahren das Material Sicherheitsdatenblatt des zu bearbeitenden Materials als Referenz.

Zur Reduzierung des Risikos durch Einatmen gefährlicher Stäube oder durch Augen-/Hautkontakt zu Stäuben:

- Verwenden Sie einen geeigneten Atem- und Hautschutz oder eine lokale Absaugung, wie auf dem Material Sicherheitsdatenblatt des zu bearbeitenden Materials angegeben.

Zur Reduzierung von Risiken durch gefährliche Stromspannung:

- Vermeiden Sie den Kontakt des Geräts zu Stromquellen, da das Werkzeug nicht gegen Stromschläge isoliert ist.

⚠️ VORSICHT

Zur Verminderung des Risikos im Zusammenhang mit Hautabschürfungen, Verbrennungen, Schnittverletzungen oder Erfassen durch drehende Teile:

- Halten Sie Hände, Haare und Kleidung entfernt von dem sich drehenden Teil des Werkzeugs.
- Tragen Sie während des Arbeitens mit dem Werkzeug geeignete Schutzhandschuhe.
- Berühren Sie während des Betriebs auf keinen Fall die sich drehenden Teile.
- Überbeanspruchen Sie das Werkzeug nicht, bzw. wenden Sie bei Benutzung des Werkzeugs keine übermäßige Kraft an.

Zur Reduzierung der Gefahren, die mit einem Abreißen oder mit gefährlichem Druckbersten verbunden sind:

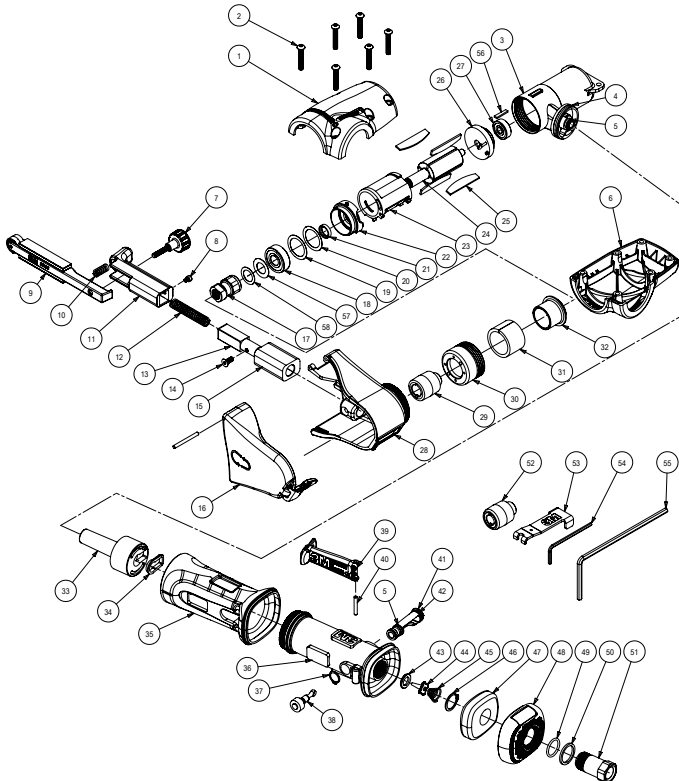
- Gewährleisten Sie, dass der Versorgungsschlauch überständig und für den erforderlichen Arbeitsdruck vorgesehen ist.
- Verwenden Sie keine Werkzeuge mit losen oder beschädigten Luftschläuchen oder Befestigungen.

Zur Verminderung des Risikos im Zusammenhang mit dem Flug des Schleifprodukts oder von Teilen:

- Gehen Sie bei der Befestigung des Schleifprodukts, des Schleiftellers und der Befestigungsteile sorgfältig vor und befolgen Sie die Anweisungen, um eine sichere Anbringung zu gewährleisten, bevor Sie das Werkzeug in Betrieb nehmen.
- Richten Sie dieses Produkt niemals in ihre eigene Richtung oder gegen eine andere Person und starten Sie das Werkzeug nicht unbeabsichtigt.

- Überdrehen Sie niemals die Befestigung für das Zubehör.

Ersatzteilübersicht



Ersatzteilliste

POSITION	3M Teilenummer	BESCHREIBUNG	Menge
1	30611	GEHÄUSE - LINKS	1
2	30612	M4 x 25 mm LINSENSCHRAUBEN MIT INNENGWINDE	6
3	30613	MOTORGEHÄUSE	1
4	30614	O-RING 31 mm ID x 1.5 mm BREITE	1
5	30615	O-RING 8 mm ID x 1 mm BREITE	2
6	30616	GEHÄUSE - RECHTS	1
7	30617	FÜHRUNGS- / STEUERUNGSKNOPF	1
8	30618	INBUSSCHRAUBE - M3 x 4, STAHL	1
9	28368	*STANDARD-ARM FÜR ELEKTRO-FEILE	1
10	30619	FEDER, FÜHRUNGSVORSPANNUNG	1
11	30620	HALTERUNG FÜHRUNGSARM	1
12	30621	FEDER - BANDSPANNUNG	1
13	30622	STANGE FÜHRUNGSARM	1
14	30623	INNENSECHSKANT-MASCHINENSCHRAUBE, GESENKT, M4 x 10	1
15	30624	STAUBSCHUTZ	1
16	30625	BANDABDECKUNG UND VERSCHLUSS-EINHEIT	1
17	28798	ADAPTER-BOLZEN	1
18	30627	10 mm x 26 mm x 8 mm LAGER - 2 SCHILDE	1
19	30628	UNTERLEGSCHEIBE - 25,4 mm AD x 19 mm AD x 0,02 mm DICK	1
20	30629	UNTERLEGSCHEIBE - 25,4 mm AD x 19 mm AD x 0,02 mm DICK	1
21	30630	DISTANZRING 13,4 mm AD x 10,01 mm ID x 3,2 mm DICK	1
22	30631	ENDABDECKUNG - VORNE	1
23	30632	ZYLINDER	1
24	30633	DREHKOLBEN	1
25	30634	DREHKOLBENFLÜGEL	4
26	30635	ENDABDECKUNG - HINTEN	1
27	30636	6 mm x 19 mm x 6 mm LAGER - 2 SCHILDE	1
28	30637	BANDGEHÄUSE	1
29	30638	ANTRIEBSSCHEIBE	1
30	30639	ENTLÜFTUNGSSTUTZEN VORNE	1
31	30640	DIFFUSOR	1
32	28799	DISTANZSTÜCK, MOTOR	1
33	30642	LUFTFÜHRUNG	1
34	30643	DICHTUNG, LUFTFÜHRUNG	1
35	30644	HALTEGRIFF	1
36	30645	HANDSTÜCK	1
37	30646	SICHERUNGSRING 7/16 Zoll	1
38	30647	VENTILSYSTEM, BAUGRUPPE	1
39	30649	SICHERHEITSCHEBEL, BAUGRUPPE	1
40	30650	SPANNSTIFT	1
41	30651	GESCHWINDIGKEITSREGELUNG	1
42	30652	9 mm x 1,5 mm O-RING	1
43	30653	VENTILSITZRING	1
44	30654	VENTIL	1
45	30655	VENTILFEDER	1
46	30656	SICHERUNGSRING 5/8 Zoll	1
47	30657	DIFFUSOR	1
48	30658	ENTLÜFTUNGSKAPPE MIT KENNZEICHNUNG	1
49	30659	O-RING - 15,6 mm ID x 1,78 mm BREITE	1
50	30660	UNTERLEGSCHEIBE, LUFTEINLASS	1
51	30661	EINLASSADAPTER	1
52	30671	ANTRIEBSSCHEIBE - GUMMI	1
53	30672	SCHLÜSSEL - ANTRIEBSRAD	1
54	30674	SCHLÜSSEL, 2,5 mm L-SCHLÜSSEL	1
55	30673	SCHLÜSSEL, 4,0 mm L-SCHLÜSSEL	1
56	28800	DICHTUNG	1
57	55186	STAUBSCHUTZ VORDERES LAGER	1
58	A0016	ABSTANDHALTER - 18,0 mm OD x 12,1 mm ID x .02 DICK	1

* Siehe Tabelle Feilenband-Kontaktarm für weitere Arme

Produktkonfiguration/Spezifikationen: Druckluftfeile 22.000 U/min

Modellnummer	Bandgröße Zoll (mm)	Motorgeschwindigkeit (U/min)	Bandgeschwindigkeit (m/min)	Produkt-Nettogewicht in lbs (kg)	Höhe in Zoll (mm)	Länge Zoll (mm)	Breite Zoll (mm)	*Geräuschpegel dBA Druck (Leistung)	**Schwingungspegel m/s ² (ft/s ²)	**Unsicherheit K m/s ²
28366	1/8-3/4 x 18-24 (3-19 x 457-610)	22,000	4990 (1521)	2.8 (1.3)	2.93 (74.5)	14.57 (370)	5.95 (151.2)	81 (90)	<2.5 (<8.2)	N/A

* Angegebene Geräuschpegel; Messungen wurden gemäß Norm EN ISO 15744:2008 ausgeführt.

** Die dargestellten Vibrationswerte entsprechen der EN12096; die Messung wurden gemäß dem Standard der EN ISO 28662-1:1992; EN 60745-1:2006 und der EN 60745-2-4:2007 durchgeführt. Die Vorschubkraft wurde auf 10N +/- 5N verringert, da eine Messung mit dem im Standard vorgeschriebenen Vorschub von 30N +/- 5N bei diesem kleine Werkzeug nicht praktikabel ist.

WICHTIGER HINWEIS: Die Geräusch- und Schwingungswerte in der Tabelle stammen aus Labortests gemäß den angegebenen Normen und Standards und stellen keine ausreichende Risikobewertung für alle Belastungsszenarien dar. Die tatsächlichen Belastungswerte und die Höhe des Risikos oder der Gefahr, die für den Einzelnen zutreffen können, sind in jeder Situation einzigartig und abhängig von dem umgebenden Umfeld, der Art, in der eine Person arbeitet, dem speziellen Material, das bearbeitet wird, der Gestaltung des Arbeitsplatzes, als auch der Länge der Belastung und der körperlichen Verfassung des Benutzers. 3M™ ist nicht für die Konsequenzen der Verwendung der genannten Werte anstelle von aktuellen Belastungswerte zur Aufstellung einer persönlichen Risikobewertung verantwortlich.

Bedienungs- / Wartungsanleitung

VOR DER VERWENDUNG

Das Werkzeug ist als handgeführtes Werkzeug konzipiert. Es wird daher empfohlen, dass der Benutzer bei Verwendung des Werkzeugs stets auf festem Boden steht und dabei eine sichere Position mit gutem Halt und festem Stand einnimmt. Beachten Sie, dass die Druckluftfeile ein starkes Drehmoment entwickeln kann. Siehe Abschnitt "Vorsichtsmaßnahmen".

Verwenden Sie eine saubere, geölte Luftversorgung, die einen gemessenen Luftdruck von 6,2 Bar (90 PSIG) auf das Werkzeug gibt, wenn das Werkzeug bei vollständig eingedrückten Hebel läuft. Es wird empfohlen, einen zugelassenen Luftschlauch von 10 mm (3/8 Zoll) x 8 m (25 ft) Länge zu verwenden. Schließen Sie das Werkzeug an die Luftversorgung an, wie unter Abb. 1 dargestellt. Schließen Sie das Werkzeug nicht an das Luftversorgungssystem an, ohne dass hierfür ein leicht zugängliches Luftabsperrentil vorhanden ist. Es wird dringend empfohlen, einen Luftfilter, Regler und Öler (FRL), wie in Abb. 1 dargestellt, zu verwenden, da so die Versorgung mit sauberer, geölter Luft bei korrekten Druck für das Werkzeug sichergestellt wird. Auf jeden Fall sollten stets geeignete Luftdruckregler bei Verwendung des Werkzeugs verwendet werden, wenn der Druck der Versorgungsluft den markierten Höchstwert des Werkzeugs überschreitet. Informationen zu dieser Ausrüstung erhalten Sie bei Ihrem Werkzeughändler. Wenn eine solche Ausrüstung nicht verwendet wird, sollte das Werkzeug manuell geölt werden. Zur manuellen Ölung des Werkzeugs klemmen Sie die Luftleitung ab und geben 2 bis 3 Tropfen eines geeigneten Schmieröls für Pneumatikmotoren, wie z.B. 3M™ Schmiermittel für Luftwerkzeuge, Teilnr.. 20451, Fuji Kosan FK-20, Mobil ALMO 525 in das Schlauchende (Einlass) des Werkzeugs. Schließen Sie das Werkzeug wieder an die Luftversorgung an und lassen es einige Sekunde langsam laufen, damit das Öl durch Luft verteilt werden kann. Wenn das Werkzeug häufig verwendet wird, führen Sie eine tägliche Ölung durch oder ölen Sie das Werkzeug, wenn es langsamer wird und Leistung verliert. Es wird ein Luftdruck von 6,2 Bar (90 PSIG) bei laufendem Werkzeug empfohlen, damit die max. Drehzahl nicht überschritten wird. Das Werkzeug kann bei niedrigeren Drücken verwendet werden, sollte jedoch niemals einen Druck von 6,2 Bar (90 PSIG) überschreiten. Bei einem niedrigeren Arbeitsdruck ist die Leistung des Werkzeugs geringer.

Empfohlene Größe der Luftleitung - Minimum		Empfohlene Länge des Luftschlauchs		Luftdruck		
10 mm	3/8 Zoll	8 metes	25 Fuß	Maximaler Betriebsdruck	6.2 bar	90 psig
				Empfohlener Mindestwert	NV	NV

Vorsichtsmaßnahmen

1. Lesen Sie alle Anleitungen, bevor Sie das Werkzeug benutzen. Alle Bediener müssen umfassend in der Werkzeuganwendung geschult sein und müssen diese Sicherheitsvorschriften kennen.
2. Die Drehzahl des Werkzeugs sollten regelmäßig geprüft werden, um eine ordnungsgemäße Drehgeschwindigkeit zu gewährleisten.
3. Stellen Sie sicher, dass das Werkzeug von der Luftversorgung getrennt ist.
4. Tragen Sie stets die erforderliche Schutzausrüstung bei Verwendung dieses Werkzeugs.
5. Entfernen Sie stets die Luftversorgung zum Werkzeug, bevor Sie das Schleifpapier einsetzen, anpassen oder abnehmen.
6. Nehmen Sie stets einen sicheren Stand und halt ein und beachten Sie die Drehkraft, die das Werkzeug entwickeln kann.
7. Verwenden Sie nur von 3M zugelassene Ersatzteile.
8. Achten Sie stets darauf, dass das zu bearbeitende Material sicher befestigt ist und nicht verrutschen kann.
9. Prüfen Sie den Schlauch und die Befestigungen regelmäßig auf Verschleiß. Tragen Sie das Werkzeug nicht am Schlauch, achten Sie stets sorgfältig darauf, dass das Werkzeug nicht starten kann, wenn Sie dieses mit angeschlossener Luftversorgung tragen.
10. Staub kann hoch entflammbar sein.
11. Wenn das Werkzeug repariert oder umgebaut wird, stellen Sie bitte sicher, dass die maximale Drehzahl des Werkzeugs nicht überschritten wird und dass keine übermäßige Schwingung vorhanden ist.
12. Überschreiten Sie nicht den max. zulässigen Luftdruck. Verwenden Sie die empfohlene Schutzausrüstung.
13. Das Werkzeug ist nicht elektrisch isoliert. Verwenden Sie das Gerät nicht, wenn die Möglichkeit eines Kontakts zu Strom-, Gasleitungen und/oder Wasserleitungen besteht.
14. Das Werkzeug ist nicht gegen Gefahren abgesichert, die beim Schleifen und Schneiden auftreten können und solche Zubehörteile sollten deshalb niemals angebaud werden.
15. Achten Sie darauf, dass Sie mit den beweglichen Teilen des Werkzeugs nicht in Kleidung, Krawatten, Haaren, Reinigungstüchern oder lose hängenden Objekten verfangen. Bei einem Verfangen unterbrechen Sie sofort die Luftzufuhr, um einen Kontakt mit beweglichen Werkzeugteilen zu vermeiden.
16. Wenn das Werkzeug nicht richtig zu funktionieren scheint, nehmen Sie dieses sofort außer Betrieb und führen das Gerät einer Wartung oder Reparatur zu.
17. Lassen Sie den Startgriff sofort los, wenn eine Druckunterbrechung auftritt; versuchen Sie keinen Neustart, bevor die Störung nicht behoben wurde.
18. Wenn das Werkzeug nicht verwendet wird, lagern Sie dieses in einer sauberen, trockenen Umgebung ohne Rückstände.
19. Recyceln oder entsorgen Sie das Werkzeug gemäß regionaler, staatlicher und bundesstaatlicher Vorschriften.

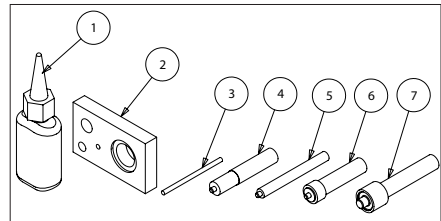
3M™ Kontaktarm für Druckluftfeile

Die 3M Kontaktarme sind perfekt geeignet zur Verwendung mit der 3M Druckluftfeile. Sie sind aus erstklassigen Materialien in Industriqualität gefertigt und ihre Haltbarkeit und präzise Verarbeitung ergänzen die Leistung der 3M Druckluftfeile bestens. Die folgende Abbildung ist ein Auszug der erhältlichen Produkte.

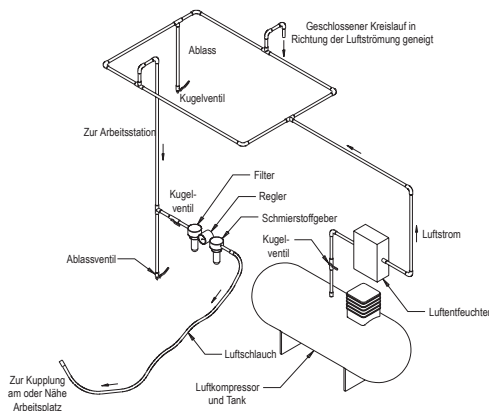
Siehe den 3M ASD Zubehör-Katalog 61-5002-8098-9 für weiteres Zubehör.

Service-Werkzeugset

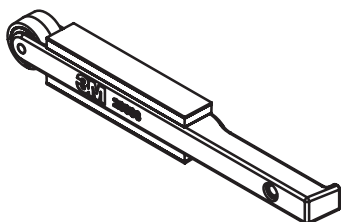
Beschreibung	Teilenummer
Service-Werkzeugset	30670



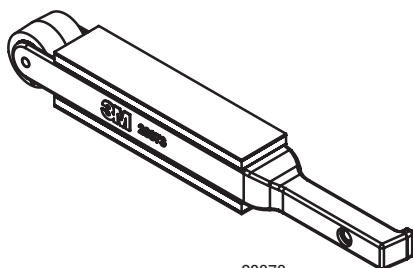
Einzelteil	Beschreibung	Menge
1	Klebstoff	1
2	Positionsblock, Rad	1
3	Abziehwerkzeug für Welle	1
4	Abziehwerkzeug für Lager 3/8 Zoll (Innendurchmesser)	1
5	Abziehwerkzeug für Lager 1/4 Zoll (Innendurchmesser)	1
6	Montagewerkzeug für Lager	1
7	Werkzeug zur Lagermontage/-demontage 5/8 Zoll (Innendurchmesser)	1



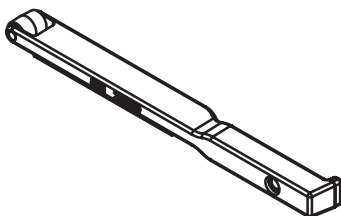
3M Kontaktarm für Druckluftfeile



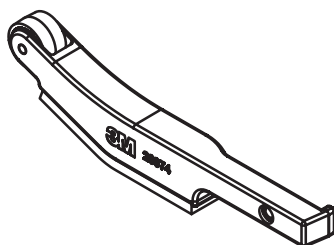
28368



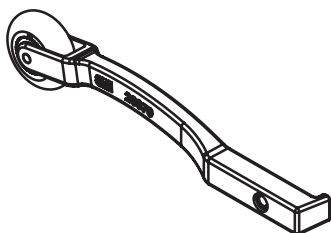
28373



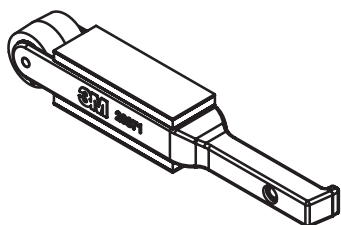
28369



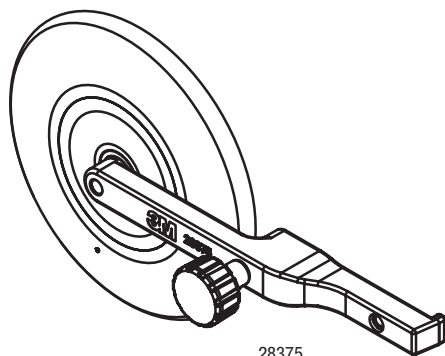
28374



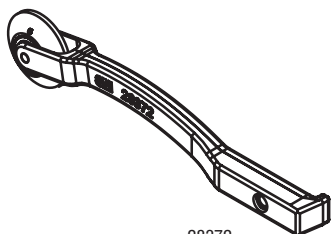
28370



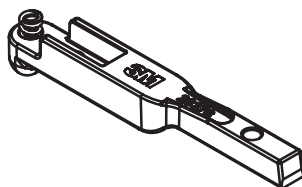
28371



28375



28372



28376

Feilenband-Kontaktarme

Beschreibung für Feilenband-Arm	Arm Teilnr	Reparatur-Kit Teilnr	Beschreibung	Menge
Standardausführung, dick	28371	30664	Pad, Neoprenvorlage 3/4 Zoll breit	2
			Rad, Kontakt 3/4 Zoll Durchmesser x 5/8 Zoll breit	1
			Lager, 3/8 Zoll AD x 1/8 Zoll ID 5/32 Zoll breit	2
			Welle, 1/8 Zoll Durchmesser x 3/4 Zoll lang, Lager Kontaktrad	1
20 1/2 Zoll Arm	28373	30665	Pad, Korkvorlage 3/4 Zoll breit	2
			Rad, Kontakt 3/4 Zoll Durchmesser x 5/8 Zoll breit	1
			Lager, 3/8 Zoll AD x 1/8 Zoll ID 5/32 Zoll breit	2
			Welle, 1/8 Zoll Durchmesser x 3/4 Zoll lang, Lager Kontaktrad	1
Standardausführung	28368	30663	Pad, Neoprenvorlage 1/2 Zoll breit	2
			Rad, Kontakt 5/8 Zoll Durchmesser x 3/8 Zoll breit	1
			Welle, 1/8 Zoll Durchmesser x 1/2 Zoll lang, Lager Kontaktrad	1
			Lager, 3/8 Zoll AD x 1/8 Zoll ID 5/32 Zoll breit	2
Dünne Ausführung	28369	30667	Pad, Vorlage 1/2 Zoll breit	1
			Lager, 1/4 Zoll AD x 1/8 Zoll ID 7/64 Zoll breit	2
			Rad, Kontakt 5/16 Zoll Durchmesser x 3/8 Zoll breit	1
			Welle, 1/8 Zoll Durchmesser x 1/2 Zoll lang, Lager Kontaktrad	1
Kantenausführung	28370	30668	Lager, 3/8 Zoll AD x 1/8 Zoll ID 5/32 Zoll breit	2
			Welle, 1/8 Zoll Durchmesser x 3/4 Zoll lang, Lager Kontaktrad	1
			Rad, Kontakt 1 Zoll Durchmesser x 3/8 Zoll breit	1
Kantenausführung	28372	30666	Rad, Kontakt 1 Zoll Durchmesser x 3/8 Zoll breit	1
			Lager, 3/8 Zoll AD x 1/8 Zoll ID 5/32 Zoll breit	2
			Welle, 1/8 Zoll Durchmesser x 1/2 Zoll lang, Lager Kontaktrad	1
Gebogener Arm	28374	30662	Pad, Korkvorlage 1/2 Zoll breit	1
			Rad, Kontakt 5/8 Zoll Durchmesser x 3/8 Zoll breit	1
			Lager, 3/8 Zoll AD x 1/8 Zoll ID 5/32 Zoll breit	2
			Welle, 1/8 Zoll Durchmesser x 1/2 Zoll lang, Lager Kontaktrad	1
Hohlgefäß-Arm	28375	30669	UNTERLEGSCHLEIFE	1
			Lager, 5/8 Zoll x 1/4 Zoll x .196 Zoll	2
			Kontaktrad – 4 Zoll	1
			Schraube, Innensechskant 1/4-28 x 3/4 Zoll	1
Verlängerung	28376	NV	Feder, Führungsvorspannung	1
			Schraube	1

Schleifband einlegen und entfernen

Einlegen/Entfernen des Bands:

1. Entfernen Sie die Luftzuleitung.
2. Klappen Sie den Verschluss der Bandabdeckung auf, um die Bandabdeckung zu lösen.
3. Drehen Sie die Bandabdeckung auf, so dass die Riemenscheibe offenliegt.
4. Ziehen Sie die Halterung des Führungsarms zurück, damit das Band Spiel hat.
5. Entfernen und ersetzen Sie das Band und lassen dann die Halterung des Führungsarms los, damit das Band Spannung hat.
6. Drehen Sie die Bandabdeckung nach unten und drücken den Verschluss der Bandabdeckung nach unten, so dass die Bandabdeckung wieder gesichert ist.
7. Schließen Sie die Luftzuleitung an.
8. Passen Sie die Bandführung an, indem Sie den Knopf nach Bedarf nach links oder rechts drehen, während die Maschine läuft.

Einstellung der Bandführung

Einstellung der Bandführung:

1. Drehen Sie den Führungsknopf bei laufendem Werkzeug nach links oder nach rechts, so dass das Schleifband mittig über das Rad den Kontaktarms läuft. (Siehe Abb. 2.)
2. Wenden Sie stets die zurücklaufende Seite des Bands auf das Arbeitsstück an, um eine korrekte Führung zu bewahren.



Abb. 2

Montage und Entfernen der Kontaktarme

Installieren/Wechseln des Kontaktarms:

1. Entfernen Sie die Luftzuleitung.
2. Klappen Sie den Verschluss der Bandabdeckung auf, um die Bandabdeckung zu lösen.
3. Drehen Sie die Bandabdeckung auf, so dass die Riemenscheibe offenliegt.
4. Ziehen Sie die Halterung des Führungsarms zurück, damit das Band Spiel hat.
5. Entfernen Sie das Band.
6. Entfernen Sie den Führungsknopf.
7. Entfernen Sie den Kontaktarm und ersetzen diesen durch den gewünschten Arm. Stellen Sie sicher, dass sich die Lasche am Ende des Arms im Kanal der Führungsarmhalterung befindet (siehe Abb. 3).
8. Setzen Sie den Führungsknopf zurück und befestigen diesen an der Gewindebohrung am Kontaktarm, so dass der Kontaktarm so gerade wie möglich ist.
9. Legen Sie das Schleifband ein und sichern die Bandabdeckung.
10. Schließen Sie die Luftzuführung an und passen die Bandführung an, indem Sie den Führungsknopf nach Bedarf verstellen, während die Maschine läuft.

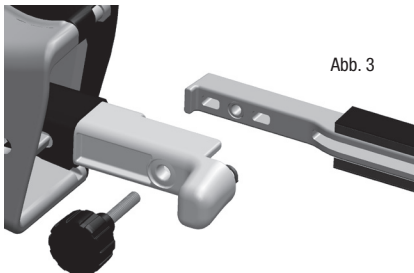


Abb. 3

Anpassen des Bandgehäuses und der Griffposition

Anpassen der Bandgehäuse-Position:

1. Entfernen Sie die Luftzuleitung.
2. Lösen Sie die M4 Kopschrauben "A" und "B": (Siehe Abb. 4.)
3. Drehen Sie das Bandgehäuse in die gewünschte Richtung. Die Rasterung zeigt die Positionen innerhalb eines 360-Grad Bereichs an.
4. Ziehen Sie die M4 Kopschrauben "A" und "B" fest:

Anpassend der Griff-/Hebelposition:

1. Entfernen Sie die Luftzuleitung.
2. Lösen Sie die M4 Kopschrauben "B" und "C": (Siehe Abb. 4.)
3. Drehen Sie den Griff/Hebel in die gewünschte Position. Die Rasterung zeigt die Positionen innerhalb eines 360-Grad Bereichs an.
4. Ziehen Sie die M4 Kopschrauben "B" und "C" fest:

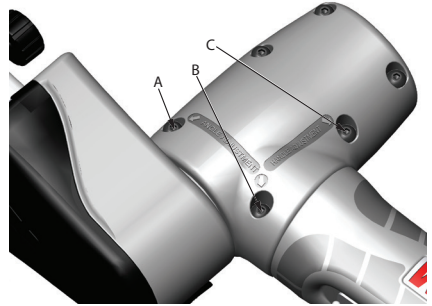


Abb. 4

Produktanwendung: Alle in diesem Dokument enthaltenen Ausführungen, technischen Informationen und Empfehlungen basieren auf Tests oder Erfahrungswerten, die 3M als zuverlässig betrachtet. Es gibt jedoch eine Vielzahl an Faktoren, die außerhalb des Einflusses von 3M liegen und die Verwendung und Leistung eines 3M-Produkts in einer speziellen Anwendung beeinflussen können, einschließlich der Bedingungen, unter denen das 3M-Produkt verwendet wird und der Zeit, als auch der Umgebungsbedingungen, unter der das Produkt eingesetzt werden soll. Da diese Faktoren alleiniger Kenntnis und der Kontrolle des Benutzers unterliegen, ist es erforderlich, dass der Benutzer das 3M-Produkt dahingehend bewertet, ob es für einen bestimmten Zweck geeignet und für die Anwendungsart des Benutzers passend ist.

Garantie und beschränkter Rechtsbehelf: 3M gewährt für dieses Produkt eine Garantie von einem (1) Jahr ab Kaufdatum für jegliche Verarbeitungsmängel und Materialfehler. 3M **GEWÄHRT KEINE WEITEREN GARANTIEEN, WEDER AUSDRÜCKLICH, NOCH STILLSCHWEIGEND, EINSCHLIESSLICH, JEDOCH NICHT BESCHRÄNKT AUF JEGLICHE GESETZLICHE GEWÄHRLEISTUNG FÜR GEBRAUCHSTAUGLICHKEIT ODER EIGNUNG FÜR EINEN BESTIMMTEN ZWECK ODER JEGLICHE GESETZLICHE GEWÄHRLEISTUNG AUS EINEM HANDELSBRAUCH ODER HANDELSVERLAUF HERAUS.** Der Benutzer ist verantwortlich für die Bestimmung dahingehend, ob das 3M-Werkzeug für einen bestimmten Zweck geeignet und passend für die Anwendung des Benutzers ist. Um den Garantieanspruch nicht zu verlieren, muss der Benutzer das Werkzeug gemäß allen gültigen Betriebsanleitungen, Sicherheitshinweisen und sonstigen Abläufen verwenden, die in der Bedienungsanleitung aufgeführt sind. 3M ist nicht zur Reparatur oder zum Austausch von Werkzeugen oder Teilen verpflichtet, die aufgrund von normalem Verschleiß, unzureichender oder falscher Wartung, unzureichender Reinigung, fehlender Ölung, einem ungeeigneten Einsatzort, unpassenden Gerätschaften, durch Fehler oder Missbrauch durch den Benutzer, Änderung oder Modifizierung, falscher

Handhabung, Mangel an angemessener Pflege oder aufgrund von Unfällen ausfallen. Wenn ein Werkzeug oder ein Teil davon innerhalb der Garantiezeit einen Defekt aufweist, besteht Ihr ausschließlicher Schadensersatz und die Verpflichtung von 3M nach Wahl durch 3M in der Reparatur oder dem Austausch des Werkzeugs oder in der Erstattung des Kaufpreises.

Haftungsbeschränkung: Sofern nicht gesetzlich ausgeschlossen, übernehmen 3M und dessen Händler keine Haftung für jegliche Verluste oder Schäden durch ein 3M-Produkt, ob auf direkte, indirekte, spezielle, zufällige oder folgerichtige Weise entstanden, ungeachtet der gesetzlich geltenden Theorie, einschließlich, nicht Garantie, Vertrag, Sorgfaltspflichtverletzung oder Kausalhaftung.

Eintreichen eines Garantieantrags: Kontaktieren Sie Ihren Händler, wenn Sie einen Garantieantrag unter Einhaltung der oben aufgeführten Beschränkungen einreichen möchten. Bitte beachten Sie, dass alle Garantieanträge vom Hersteller geprüft werden müssen. Bewahren Sie Ihren Kaufbeleg bitte sicher auf. Dieser muss innerhalb eines Jahres ab Kaufdatum gemeinsam mit dem Garantieantrag eingereicht werden.

Produktreparatur nach Ablauf der Garantie: Die Reparatur von 3M Schleifwerkzeugen, die nicht mehr durch Garantie abgedeckt sind, ist direkt bei 3M oder einer durch 3M autorisierte Vertretung für Werkzeugreparatur möglich. Kontaktieren Sie Ihren Distributor für 3M Schleifwerkzeuge für weitere



EU - Konformitätserklärung

Herstellername: 3M, Geschäftsbereich Schleifsysteme
Herstelleradresse: 3M Center, Building 223-6N-02
 St. Paul, MN USA 55144

Erläutern, dass die oben beschriebene Maschine den anzuwendbaren, erforderlichen Gesundheits- und Sicherheitsvorschriften der Maschinenrichtlinie 2006/42/EC, einschließlich aller Ergänzungen bis zum heutigen Tag, entspricht.

Beschreibung: 3M™ Druckluffeile, 1/8-3/4 Zoll x 18-24 Zoll (3-19 mm x 457-610 mm) 22.000 UPM, 4990 UFPM (Umfangsfuß pro Minute) (1521 ums - Umfangsmeter pro Sekunde); Verpackt wie Werkzeug alleine oder „in der Installationsatz“ Form mit Zusatzgeräten

Artikelnummer: 28366 (werkzeug alleine), 28367 (installationsatz)

Auf die folgenden Normen wurde sich entweder bezogen oder diese wurden befolgt, je nach Relevanz entweder teilweise oder vollständig:

- | | |
|--------------------------------|--|
| EN ISO 12100-1:2003 A1:2009 | Maschinensicherheit. Grundkonzepte, allgemeine Bauart-Richtlinien - Grundsätzliche Terminologie und Technische Grundsätze |
| EN ISO 12100-2:2003 A1:2009 | Handgehaltene nicht-elektrisch betriebene Maschinen - Sicherheitsanforderungen - Teil 8: Bandschleifer und Polierer |
| EN 792-8:2001 A1:2008 | Maschinensicherheit. Sicherheitsanforderungen für Fluid-Antriebsysteme und Komponenten - Pneumatik |
| EN 983:1996 A1:2008 | Maschinensicherheit. Richtlinien zur Risikoeinstufung |
| EN ISO 14121-1:2007 | Handgehaltene, portable Maschinen - Vibrationsmessung an Griff - Teil 1: Allgemein |
| EN ISO 28662-1:1992 | Handgeführtes motorbetriebenes Elektrowerkzeug. Sicherheit. Allgemeine Anforderungen |
| IEC EN 60745-1:2006* | Handgeführtes motorbetriebenes Elektrowerkzeug. Sicherheit. Spezielle Anforderungen für Schleif- und Poliergeräte ohne runde Schleifscheibenform |
| IEC EN 60745-2-4:2003 A1:2007* | Hand-held non-electric power tools. Noise measurement code. Engineering method (grade 2) |
| EN ISO 15744:2008 | Hand-held non-electric power tools. Noise measurement code. Engineering method (grade 2) |

* Nur bei Vibrationsmessungen angewandt; verringerte Vorschubgeschwindigkeit - Beachten sie die Produktspezifikationen.

Vor- und Zuname der verantwortlichen Person:

Stefan A. Babirad

Position: Technischer Leiter

Unterschrift:

Datum:

Vollständiger Name und Adresse der verantwortlichen Person zur Erstellung einer technischen Datei innerhalb der Gemeinschaft:

Herr Claus Geiger - Marketing Operations, Abras. Syst. Div., 3M Deutschland GmbH, Carl-Zeus-Strasse 1, D-41453 Neuss, Deutschland



MANUAL DE INSTRUCCIONES DE LA LIJADORA DE CORREA PARA LIMAR 1/8-3/4 pulg. x 18-24 pulg. (3-19 mm x 457-610 mm) 22,000 RPM, 4990 SFPM (pies superficiales por minuto) (1521 smm - metros superficiales por minuto)

Información Importante de Seguridad

Lea, comprenda y siga toda la información de seguridad contenida en estas instrucciones antes de usar esta herramienta. Conserve estas instrucciones para referencia futura.

Uso específico

Esta herramienta neumática está diseñada para ser usada en lugares industriales y sólo por profesionales capacitados y expertos según las instrucciones de este manual. Esta herramienta neumática está diseñada para ser utilizada con brazos de contacto y abrasivo adecuados para lijar metales, maderas, piedras, plásticos y otros materiales. Sólo debe ser utilizada para tales aplicaciones de lijado y dentro de sus grados y capacidad marcados. Únicamente los accesorios recomendados específicamente por 3M deben usarse con esta herramienta. El uso de esta herramienta de cualquier otro modo o con otros accesorios puede provocar falta de seguridad en las condiciones de operación.

No haga funcionar la herramienta en el agua o en aplicaciones extremadamente húmedas.

Explicación de las Consecuencias de los Mensajes de Advertencia

- | | |
|--|---|
| | ADVERTENCIA: Indica una situación potencialmente peligrosa, la cual, si no se evita, podría resultar en muerte o lesiones graves y/o daño a la propiedad. |
| | PRECAUCIÓN: Indica una situación potencialmente peligrosa, la cual, si no se evita, podría resultar en lesiones leves o moderadas y/o daño a la propiedad. |

Lea la Hoja de datos de seguridad de materiales (MSDS) antes de usar los materiales.



Contacte a los proveedores de los materiales de la pieza de trabajo para obtener copias de MSDS si no tiene ninguna disponible.

ADVERTENCIA

La exposición al POLVO originado por la pieza de trabajo y/o los materiales abrasivos puede afectar los pulmones o producir otra lesión física.

Utilice el escape de aire local o extracción de polvo adecuados según las indicaciones de MSDS. Use los elementos de protección aprobados y protéjase los ojos y la piel.

No respetar esta advertencia puede ocasionar daños en los pulmones y/o lesiones físicas.



ADVERTENCIA

Para reducir los riesgos asociados con los impactos provenientes del producto abrasivo o desintegración, bordes afilados, presión peligrosa, ruptura, vibración y ruidos de la herramienta:

- Lea, comprenda y siga la información de seguridad contenida en estas instrucciones antes de usar esta herramienta. Conserve estas instrucciones para referencia futura.
- Solamente debe permitirse que personal capacitado adecuadamente dé servicio a esta herramienta.
- Observe siempre los requisitos de seguridad. Al trabajar, esté siempre alerta, use las prendas de vestir adecuadas y no opere herramientas bajo los efectos del alcohol o drogas.
- Los operadores y demás personal siempre deben usar accesorios protectores para ojos y oídos, así como protección respiratoria al encontrarse en el área de trabajo o al operar este producto. Siga la política de seguridad de su empleador en cuanto a equipo de protección personal y/o las indicaciones de la norma ANSI Z87.1 o las normas locales o nacionales relativas a gafas protectoras y otros requisitos de equipo de protección personal.
- Use ropa protectora, tomando en consideración el tipo de trabajo que se va a realizar.
- Nunca exceda la presión máxima de entrada especificada (90 lb/pulg²/0.62 Mpa/6.2 bar).
- Siempre debe usarse protección ocular adecuada.
- La herramienta nunca debe operarse en presencia de observadores.
- Si al operar este producto nota ruido o vibración anormales, interrumpa su uso inmediatamente e inspecciónelo en busca de componentes gastados o dañados. Corrija o cambie el componente del que sospeche. Si el ruido o la vibración anormales persisten, devuelva la herramienta a 3M para su reparación o reemplazo. Consulte las instrucciones de garantía.
- Nunca opere esta herramienta sin que todos los elementos de seguridad estén en su sitio y en buenas condiciones de funcionamiento.
- Nunca sobrecargue o desarme/ inutilice los dispositivos de seguridad de liga-desliga.
- Asegúrese de que la herramienta esté desconectada del suministro de aire antes de dar servicio, inspeccionar, dar mantenimiento o limpiarla y antes de cambiar el producto abrasivo.
- Antes de utilizar, inspeccione el producto abrasivo y los accesorios para verificar posibles daños. Si están dañados, reemplácelos con productos abrasivos y accesorios nuevos suministrados por 3M.
- Sólo utilice los accesorios suministrados o recomendados por 3M.
- Nunca deje que esta herramienta sea utilizada por niños o por gente no capacitada.
- No deje desatendida la herramienta conectada al suministro de aire.
- Utilícela sólo con el equipo de montaje recomendado por 3M; consulte con 3M sobre los requerimientos del equipo de montaje.
- Antes de utilizarla, asegúrese de que el protector esté correctamente asegurado y de que esté colocado como para proteger al operador de los fragmentos que se desprendan.
- Si la herramienta se atascara, deténgala, desconecte la manguera de aire y libérela del obstáculo. Verifique que el producto abrasivo se encuentre correctamente asegurado.
- Nunca haga funcionar esta herramienta sin que todos sus protectores y características de seguridad estén en sus respectivos lugares y en perfecto estado de funcionamiento.

⚠ ADVERTENCIA

Para reducir los riesgos relacionados con la vibración:

- Si se experimenta cualquier incomodidad física en la mano o en la muñeca, debe suspenderse inmediatamente el trabajo y buscar atención médica. Pueden presentarse lesiones en la mano, la muñeca y el brazo a causa de trabajos y movimientos repetitivos y de la sobreexposición a la vibración.

Para reducir los riesgos relacionados con ruidos fuertes:

- Siempre use protección auditiva al operar esta herramienta. Cumpla con la política de seguridad de su empleador o de las normas locales/nacionales para los requerimientos de los equipos de protección personal.

Para reducir los riesgos relacionados con fuego o explosión:

- No opere la herramienta en atmósferas explosivas, como aquéllas en las que hay presencia de líquidos, gases o polvos inflamables. Los elementos abrasivos pueden crear chispas al trabajar el material, dando como resultado la ignición de polvo o vapores inflamables.
- Remítase a la Hoja de Datos de Seguridad de los materiales con los que está trabajando para conocer su potencial para ocasionar incendios o peligro explosivo.

Para reducir los riesgos relacionados con la ingestión o exposición de los ojos o la piel a polvos peligrosos:

- Use protección adecuada para la piel y protección respiratoria, o ventilación local según se indique en la Hoja de Datos sobre Seguridad de Materiales (MSDS) del material que se está trabajando.

Para reducir los riesgos relacionados con voltaje peligroso:

- No permite que esta herramienta entre en contacto con fuentes de energía eléctrica, ya que no está aislada contra choques eléctricos.

⚠ PRECAUCIÓN

Para reducir los riesgos relacionados con abrasión de la piel, quemaduras, cortaduras o enredamientos:

- Mantenga las manos, el pelo y la ropa alejadas de la parte giratoria de la herramienta.
- Use guantes protectores adecuados al operar la herramienta.
- Por ninguna razón toque las partes giratorias durante la operación.
- No fuerce la herramienta ni aplique fuerza excesiva al usarla.

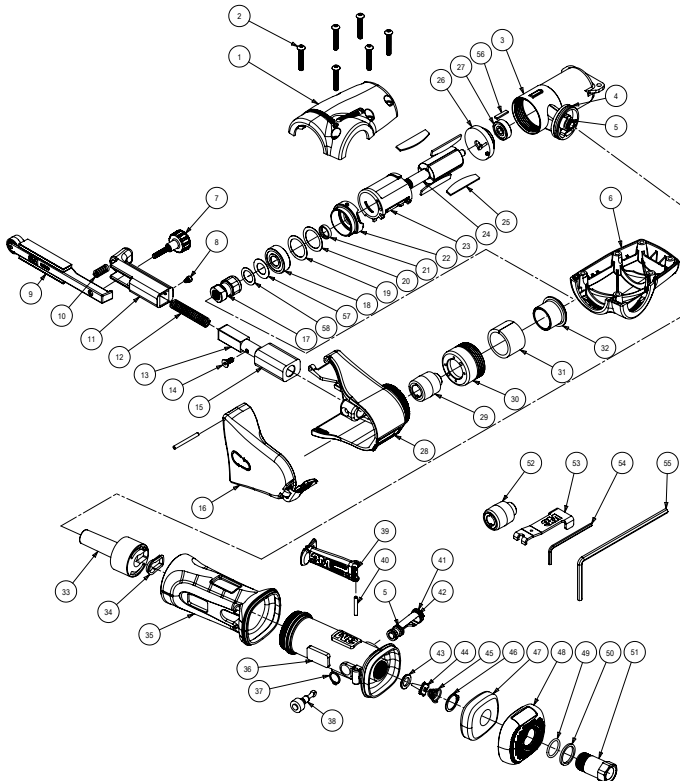
Para reducir el riesgo asociado con los latigazos y el peligro de la ruptura de la presión:

- Asegúrese de que la manguera de suministro sea resistente al aceite y que esté nominada adecuadamente para la presión de trabajo requerida.
- No use herramientas con mangueras o conexiones sueltas o dañadas.
- Tenga presente que las mangueras y conexiones instaladas de manera incorrecta pueden soltarse inesperadamente en cualquier momento y crear un riesgo de latigazo o impacto.

Para reducir los riesgos relacionados con las partes despididas de productos abrasivos:

- Tenga cuidado al anexas la almohadilla para discos y la almohadilla para pulir; siga las instrucciones para asegurarse de que estén anexas de manera segura a la herramienta antes de utilizarlas.
- Nunca apunte este producto hacia usted ni hacia ninguna persona, ni haga arrancar la herramienta accidentalmente.
- Nunca ajuste en exceso los sujetadores de los accesorios.

Página de las Partes



Lista de Piezas

Ítem	3M de Número de Pieza	Descripción	CANTIDAD
1	30611	CAJA - IZQUIERDA	1
2	30612	M4 x 25 mm TORNILLO DE CABEZA REDONDA TIPO ALLEN	6
3	30613	CAJA DEL MOTOR	1
4	30614	O-RING 31 mm ID x 1.5 mm ANCHO	1
5	30615	O-RING 8 mm ID x 1 mm ANCHO	2
6	30616	CAJA - DERECHA	1
7	30617	PERILLA DE CONTROL / RECORRIDO	1
8	30618	TORNILLO DE CABEZA TIPO ALLEN - M3 x 4, ACERO	1
9	28368	*BRAZO DE CORREA PARA LIMAR ESTILO ESTÁNDAR	1
10	30619	RESORTE, REGULADOR DEL RECORRIDO	1
11	30620	BASE DEL BRAZO DEL RECORRIDO	1
12	30621	RESORTE - TENSIÓN DE LA CORREA	1
13	30622	POSTE DEL BRAZO DEL RECORRIDO	1
14	30623	TORNILLO PARA METALES DE CABEZA EMBUTIDA CON RANURA HEXAGONAL M4 x 10	1
15	30624	CUBIERTA ANTIPOLVO	1
16	30625	CONJUNTO DE SEGURO Y CUBIERTA DE LA CORREA	1
17	28798	ADAPTADOR DE PERNO MOTRIZ	1
18	30627	10 mm x 26 mm x 8 mm RODAMIENTO - 2 SELLOS	1
19	30628	Calce – 25.4 mm OD x 19 mm. OD x 0.02 mm GRUESO	1
20	30629	Calce – 25.4 mm OD x 19 mm OD x 0.02 mm GRUESO	1
21	30630	SEPARADOR 13.4 mm OD x 10.01 mm ID x 3.2 mm GRUESO	1
22	30631	CONJUNTO DE PLACA - FRONTAL	1
23	30632	CILINDRO	1
24	30633	RÓTOR	1
25	30634	ALETA ROTORA	4
26	30635	CONJUNTO DE PLACA - POSTERIOR	1
27	30636	6 mm x 19 mm x 6 mm RODAMIENTO - 2 SELLOS	1
28	30637	CAJA DE LA CORREA	1
29	30638	POLEA MOTRIZ	1
30	30639	MÚLTIPLE DE ESCAPE FRONTAL	1
31	30640	DIFUSOR	1
32	28799	SEPARADOR DEL MOTOR	1
33	30642	GUÍA DE AIRE	1
34	30643	JUNTA, GUÍA DE AIRE	1
35	30644	ASA	1
36	30645	EMPUÑADURA	1
37	30646	RETÉN, 7/16 pulg.	1
38	30647	CONJUNTO DE VÁSTAGO DE VÁLVULA	1
39	30649	SAFETY LEVER ASSEMBLY SET	1
40	30650	PASADOR DE RESORTE	1
41	30651	CONTROL DE VELOCIDAD	1
42	30652	9 mm x 1.5 mm O-RING	1
43	30653	ASIENTO DE VÁLVULA	1
44	30654	VÁLVULA	1
45	30655	RESORTE DE VÁLVULA	1
46	30656	RETÉN, 5/8 pulg.	1
47	30657	DIFUSOR	1
48	30658	TAPA DE ESCAPE CON ETIQUETAS	1
49	30659	O-RING - 15.6 mm ID x 1.78 mm ANCHO	1
50	30660	ARANDELA, ADMISIÓN DE AIRE	1
51	30661	LLAVE DE TUBO	1
52	30671	POLEA MOTRIZ - GOMA	1
53	30672	LLAVE – RUEDA MOTRIZ	1
54	30674	LLAVE, 2.5 mm LLAVE DE TUBO	1
55	30673	LLAVE, 4.0 mm LLAVE DE TUBO	1
56	28800	SELLO	1
57	55186	PROTECTOR ANTIPOLVO DEL RODAMIENTO DELANTERO	1
58	A0016	ESPACIADOR - 18.0 mm OD x 12.1 mm ID x .02	1

* Vea el archivo ceñir la carta del brazo del contacto para los brazos adicionales

Configuraciones/Especificaciones del Producto: Lijadora de Correa para Limar de 22,000 RPM

Número de Modelo	Tamaño de la Correa pulg. (mm)	Velocidad del Motor (RPM)	Velocidad de la Cinta SFPM (s/mm)	Peso Neto del Producto libras (kg)	Altura pulg. (mm)	Longitud pulg. (mm)	Ancho pulg. (mm)	*Presión del Nivel de Ruido en Decibeles (Potencia)	**Nivel de Vibración m/s ² (pies/s ²)	**Incertidumbre K m/s ²
28366	1/8-3/4x 18-24 (3-19 x 457-610)	22,000	4990 (1521)	2.8 (1.3)	2.93 (74.5)	14.57 (370)	5.95 (151.2)	81 (90)	<2.5 (<8.2)	N/A

* Niveles de ruido declarados; mediciones realizadas de acuerdo con la norma EN ISO 15744:2008.

**Niveles de vibración declarados de acuerdo con EN12096; mediciones llevadas a cabo de acuerdo con la norma EN ISO 28662-1:1992; EN 60745-1:2006 y EN 60745-2-4:2007, excepto que la fuerza de avance se redujo a 10N +/- 5N debido a la impracticabilidad de operar esta pequeña herramienta a 30N +/- 5N tal como indica el estándar.

NOTA IMPORTANTE: Los valores de ruido y vibración establecidos en la tabla provienen de análisis de laboratorios de acuerdo con los códigos y normas establecidos y no constituyen una evaluación de riesgo suficiente para todas las situaciones posibles de exposición. Los valores de exposición reales y la magnitud de riesgo o lesión experimentados por un individuo son únicos y dependen del entorno, la forma en que trabaje el individuo, el material particular que se esté trabajando y el diseño de la estación de trabajo, así como del tiempo de exposición y la condición física del usuario. 3M™ no puede ser responsable de las consecuencias del uso de los valores declarados en lugar de los valores de exposición reales para cualquier evaluación de riesgo individual.

Instrucciones de operación y mantenimiento

ANTES DE LA OPERACIÓN

La herramienta está diseñada para operarse como herramienta manual. Se recomienda siempre que al usar esta herramienta el operario esté parado sobre un piso sólido, en una posición segura y sujete la herramienta con firmeza. Tenga presente que la lijadora puede producir una reacción de torsión. Vea la sección "PRECAUCIONES DE SEGURIDAD".

Use una fuente de suministro de aire limpio y lubricado que proporcione a la herramienta una presión de aire medida de 6.2 bar (90 psig) cuando la herramienta opere con la palanca totalmente oprimida. Se recomienda usar una línea de aire aprobada de 10 mm (3/8 pulg) con longitud máxima de 8 m (25 pies). Conecte la herramienta a la fuente de suministro de aire como se ilustra en la Figura 1. No conecte la herramienta al sistema de la línea de aire sin tener una válvula de cierre de aire fácilmente accesible. Se recomienda ampliamente usar un filtro, un regulador y un lubricador de aire como se ilustra en la Figura 1, ya que eso proporcionará a la herramienta aire limpio y lubricado a la presión correcta. En todo caso deben usarse reguladores de presión de aire adecuados en todo momento al operar esta herramienta cuando la presión de suministro exceda el máximo indicado para la misma. El distribuidor con el que adquirió la herramienta puede proporcionarle detalles sobre tal equipo. Si no se usa dicho equipo, la herramienta debe ser lubricada manualmente. Para lubricar la herramienta manualmente desconecte la línea de aire y ponga 2 o 3 gotas de aceite lubricante para motores neumáticos adecuado, como el Lubricante para Herramientas Neumáticas 3M™ PN 20451, aceite Fuji Kosan FK-20 o aceite Mobil ALMO 525 en el extremo de la manguera (de entrada) de la herramienta. Conecte de Nuevo la herramienta a la fuente de suministro de aire y hágala funcionar lentamente durante unos segundos para permitir que el aire haga circular el aceite. Si la herramienta se usa con frecuencia, lubríquela diariamente o si la herramienta empieza a perder velocidad o potencia. Se recomienda que la presión de aire en la herramienta no exceda de 6.2 bar (90 psig) cuando opere al máximo de rpm. La herramienta puede operarse a presiones más bajas, pero nunca a presiones mayores de 6.2 bar (90 psig). Si se opera a presiones menores, el rendimiento de la herramienta se reduce.

Tamaño Recomendado de la Línea de Aire - Mínimo		Longitud Recomendada de la Manguera - Máximo		Presión del Aire		
10 mm	3/8 pulgadas	8 metros	25 pies	Presión de Trabajo Máxima	6.2 bar	90 psig
				Mínima Recomendada	NA	NA

Precauciones de Seguridad

1. Lea todas las instrucciones antes de usar esta herramienta. Todos los operadores deben estar completamente capacitados sobre su uso y estar familiarizados con estas reglas de seguridad.
2. La herramienta de RPM debe chequearse con regularidad para asegurar una velocidad de funcionamiento correcta.
3. Asegúrese de que la herramienta esté desconectada de la fuente de suministro de aire.
4. Al usar esta herramienta use siempre el equipo de seguridad requerido.
5. Siempre retire el suministro de aire de la herramienta antes de colocar, ajustar o retirar le abrasivo.
6. Siempre permanezca de pie con un agarre y una base firmes y preste atención a la reacción de torque que desarrolla la herramienta.
7. Use solamente refacciones aprobadas por 3M.
8. Asegúrese siempre de que el material que se vaya a trabajar esté asegurado firmemente, para evitar movimientos.
9. Revise regularmente la manguera y las conexiones en busca de señales de desgaste. No sostenga la herramienta por la manguera; tenga siempre cuidado de que la herramienta no empiece a funcionar al transportarla cuando esté conectada a la fuente de suministro de aire.
10. El polvo puede ser altamente combustible.
11. Si la herramienta recibe servicio o es reconstruida verifique que no se exceda el valor máximo de rpm y que no haya vibración excesiva.
12. No exceda la presión de aire máxima recomendada. Use el equipo de seguridad que se recomienda.
13. La herramienta no cuenta con aislamiento eléctrico. No la use cuando exista la posibilidad de contacto con conductores eléctricos vivos, tuberías de gas y/o tuberías de agua.
14. Esta herramienta no está protegida contra los riesgos inherentes a operaciones de corte y nunca deben aplicarse productos de corte a esta herramienta.
15. Tenga cuidado para evitar que las partes móviles de la herramienta puedan atrapar prendas de vestir, corbatas, pelo, trapos de limpieza u objetos colgantes sueltos. En caso de que algún objeto quede atrapado, interrumpa inmediatamente el suministro de aire para evitar el contacto con las partes móviles de la herramienta.
16. Si parece haber fallas en el funcionamiento de la herramienta, interrumpa su uso inmediatamente y tome medidas para que reciba servicio o sea reparada.
17. En caso de cualquier interrupción en la presión, suelte inmediatamente la manija de arranque; no intente usar nuevamente la herramienta sino hasta que la interrupción haya sido corregida.
18. Cuando la herramienta no esté en uso, almacénela en un ambiente seco y limpio, libre de desechos de materiales.
19. Recicle la herramienta o disponga de ella conforme a los reglamentos locales, estatales y federales.

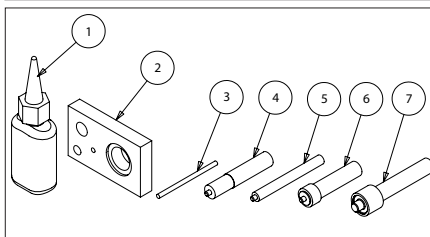
Brazos de Contacto de la Correa para Limar de 3M™

Los Brazos de Contacto de 3M se acoplan perfectamente a la Lijadora de Correa para Limar de 3M. Construidos con materiales de calidad industrial y superior, su durabilidad y construcción precisa constituyen el complemento ideal para el desempeño de la Li. El siguiente cuadro es una muestra de los productos ofrecidos.

Consulte el catálogo de Accesorios ASD 3M 61-5002-8098-9 para información sobre accesorios adicionales

Kit para el Servicio Técnico de la Herramienta

Descripción	Número de Pieza
Kit para el Servicio Técnico de la Herramienta	30670



Ítem	Descripción	Cantidad
1	COMPUUESTO RETENEDOR	1
2	BLOQUE PARA POSICIONAR LA RUEDA	1
3	HERRAMIENTA PARA EXTRAER EL EJE	1
4	HERRAMIENTA PARA EXTRAER EL COJINETE, de 3/8 pulg. de DI	1
5	HERRAMIENTA PARA EXTRAER EL COJINETE, de 1/4 pulg. de DI	1
6	HERRAMIENTA PARA COLOCAR EL COJINETE	1
7	HERRAMIENTA EL COJINETE, de 5/8 pulg. de DI	1

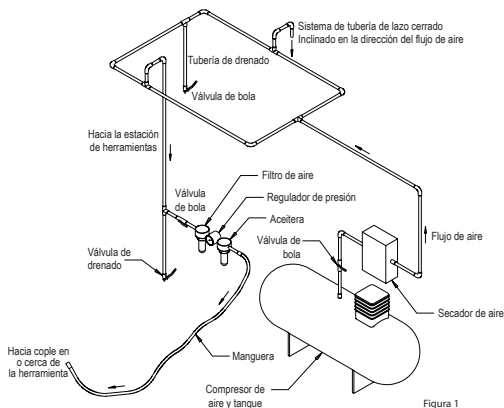
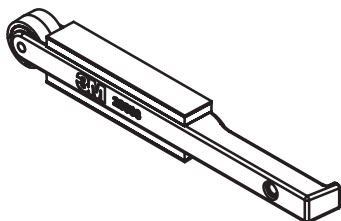
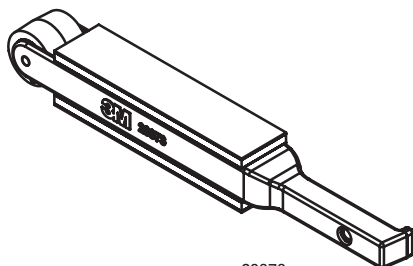


Figura 1

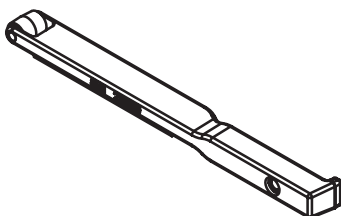
Brazos de Contacto de la Correa para Limar



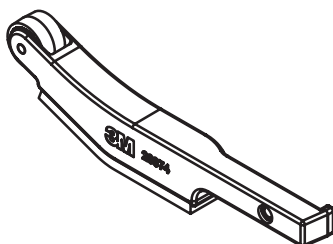
28368



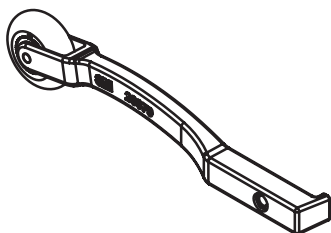
28373



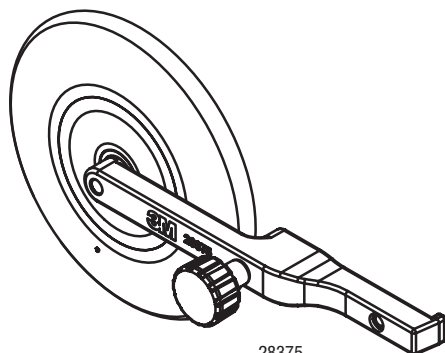
28369



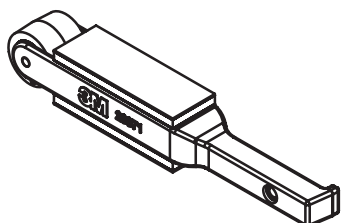
28374



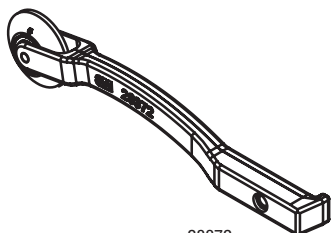
28370



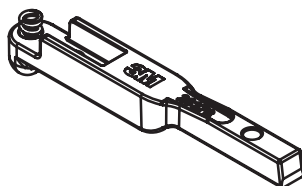
28375



28371



28372



28376

Brazos de Contacto de la Correa para Limar

Descripción del Brazo de la Correa para Limar	N/P del Brazo	N/P del Kit de Reparación	Descripción	Cantidad
Estilo Estándar Grueso	28371	30664	Almohadilla, Placa de Neopreno de 3/4 pulg. de Ancho	2
			Rueda, Contacto de 3/4 pulg. de Diámetro x 5/8 pulg. de Ancho	1
			Rodamiento, 3/8 pulg. de Diámetro Externo x 1/8 pulg. de Diámetro Interno y 5/32 pulg. de Ancho	2
			Eje, 1/8 pulg. de Diámetro x 3/4 pulg. de Largo, Rueda de Contacto de Rodamiento	1
Brazo de 20½ pulg.	28373	30665	Almohadilla, Placa de Corcho de 3/4 pulg. de Ancho	2
			Rueda, Contacto de 3/4 pulg. de Diámetro x 5/8 pulg. de Ancho	1
			Rodamiento, 3/8 pulg. de Diámetro Externo x 1/8 pulg. de Diámetro Interno y 5/32 pulg. de Ancho	2
			Eje, 1/8 pulg. de Diámetro x 3/4 pulg. de Largo, Rueda de Contacto de Rodamiento	1
Estilo Estándar	28368	30663	Almohadilla, Placa de Neopreno de 1/2 pulg. de Ancho	2
			Rueda, Contacto de 5/8 pulg. de Diámetro x 3/8 pulg. de Ancho	1
			Eje, 1/8 pulg. de Diámetro x 1/2 pulg. de Largo, Rueda de Contacto de Rodamiento	1
			Rodamiento, 3/8 pulg. de Diámetro Externo x 1/8 pulg. de Diámetro Interno y 5/32 pulg. de Ancho	2
Estilo Delgado	28369	30667	Almohadilla, Placa de 1/2 pulg. de Ancho	1
			Rodamiento, 1/4 pulg. de Diámetro Externo x 1/8 pulg. de Diámetro Interno y 7/64 pulg. de Ancho	2
			Rueda, Contacto de 5/16 pulg. de Diámetro x 3/8 pulg. de Ancho	1
			Eje, 1/8 pulg. de Diámetro x 1/2 pulg. de Largo, Rueda de Contacto de Rodamiento	1
Estilo de Esquinas	28370	30668	Rodamiento, 3/8 pulg. de Diámetro Externo x 1/8 pulg. de Diámetro Interno y 5/32 pulg. de Ancho	2
			Eje, 1/8 pulg. de Diámetro x 1/2 pulg. de Largo, Rueda de Contacto de Rodamiento	1
			Rueda, Contacto de 1 pulg. de Diámetro x 3/8 pulg. de Ancho	1
Estilo de Esquinas	28372	30666	Rueda, Contacto de 1 pulg. de Diámetro x 3/8 pulg. de Ancho	1
			Rodamiento, 3/8 pulg. de Diámetro Externo x 1/8 pulg. de Diámetro Interno y 5/32 pulg. de Ancho	2
			Eje, 1/8 pulg. de Diámetro x 1/2 pulg. de Largo, Rueda de Contacto de Rodamiento	1
Brazo Curvo	28374	30662	Almohadilla, Placa de 1/2 pulg. de Ancho	1
			Rueda, Contacto de 5/8 pulg. de Diámetro x 3/8 pulg. de Ancho	1
			Rodamiento, 3/8 pulg. de Diámetro Externo x 1/8 pulg. de Diámetro Interno y 5/32 pulg. de Ancho	2
			Eje, 1/8 pulg. de Diámetro x 1/2 pulg. de Largo, Rueda de Contacto de Rodamiento	1
Brazo Contenedor	28375	30669	ARANDELA	1
			Rodamiento, 5/8 pulg. x 1/4 pulg. x .196 pulg.	2
			Rueda de Contacto – 4 pulg.	1
			Tornillo, Cabeza Tipo Allen 1/4-28 x 3/4 pulg.	1
Extension	28376	N/A	Resorte, Regulador del Recorrido	1
			Tornillo	1

Correa Abrasiva para Montar y Extraer

Para Instalar / Extraer la Correa:

1. Desconecte la línea de aire.
2. Levante el Seguro de la Cubierta de la Correa para liberar la Cubierta de la Correa.
3. Gire la Cubierta de la Correa hacia arriba, dejando al descubierto la Polea Motriz.
4. Retraiga la Base del Brazo del Recorrido para conseguir y fijar la holgura en la correa.
5. Extraiga y reemplace la correa, luego libere la Base del Brazo del Recorrido para volver a tensionar la correa.
6. Gire la Cubierta de la Correa hacia abajo y baje el Seguro de la Cubierta de la Correa para asegurar la Cubierta de la Correa
7. Conecte la línea de aire.
8. Ajuste el recorrido de la correa girando la perilla hacia la izquierda o hacia la derecha según corresponda, con la máquina en funcionamiento.

Cómo Ajustar el Recorrido de la Correa

1. Con la herramienta en funcionamiento, gire la Perilla del Recorrido hacia la izquierda o hacia la derecha, de manera tal que la correa abrasiva funcione centrada sobre la rueda del brazo de contacto. (Ver la Fig. 2)
2. Siempre coloque el lado que retorna de la correa en la pieza de trabajo para mantener el recorrido adecuado.

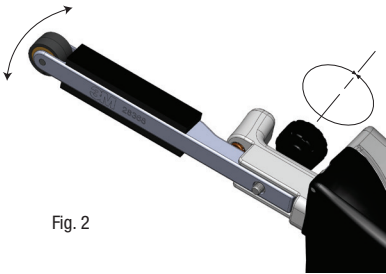


Fig. 2

Cómo Ajustar la Caja de la Correa y la Posición del Asa

Para Ajustar la Posición de la Caja de la Correa:

1. Desconecte la línea de aire.
2. Afloje los tornillos de cabeza M4 "A" y "B": (Ver Fig. 4)
3. Gire la Caja de la Correa a la posición deseada. Los retenes indican las posiciones en un ámbito de 360 grados.
4. Ajuste los tornillos de cabeza M4 "A" y "B":

Para Ajustar la Posición del Asa / Palanca:

1. Desconecte la línea de aire.
2. Afloje los tornillos de cabeza M4 "B" y "C": (Ver Fig. 4)
3. Gire el Asa / Palanca a la posición deseada. Los retenes indican las posiciones en un ámbito de 360 grados.
4. Ajuste los tornillos de cabeza M4 "B" y "C":

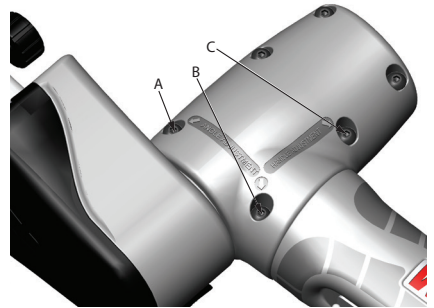


Fig. 4

Cómo Montar y Extraer los Brazos de Contacto

Para Instalar / Cambiar el Brazo de Contacto:

1. Desconecte la línea de aire.
2. Levante el Seguro de la Cubierta de la Correa para liberar la Cubierta de la Correa.
3. Gire la Cubierta de la Correa hacia arriba, dejando al descubierto la Polea Motriz.
4. Retraiga la Base del Brazo del Recorrido para conseguir y fijar la holgura en la correa.
5. Extraiga la correa.
6. Extraiga la Perilla del Recorrido.
7. Extraiga el Brazo de Contacto y reemplácelo con el brazo deseado. Asegúrese de que la lengüeta ubicada al final del brazo se encuentre en el canal de la Base del Brazo del Recorrido. (Ver Fig. 3)
8. Vuelva a colocar la Perilla del Recorrido y ajústela en el orificio a rosca ubicado en el Brazo de Contacto para que el mismo esté lo más derecho posible.
9. Instale la correa abrasiva y asegure la Cubierta de la Correa.
10. Conecte la línea de aire y ajuste el recorrido de la correa girando la Perilla del Recorrido según corresponda, con la máquina en funcionamiento.

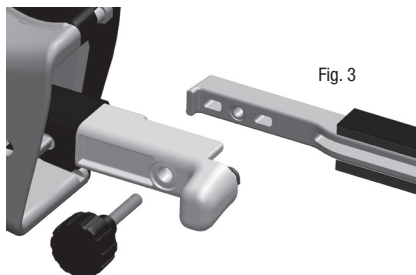


Fig. 3

Uso del producto: Todas las declaraciones, la información técnica y las recomendaciones contenidas en este documento se basan en pruebas o experiencia que, en opinión de 3M, son confiables. No obstante, muchos factores que están fuera del control de 3M pueden afectar el uso y el desempeño de los productos 3M en una aplicación particular, entre las que se incluyen las condiciones bajo las que se use el producto 3M, así como las condiciones climáticas y ambientales en las que se espera que opere el producto. Puesto que estos factores son exclusivamente del conocimiento del usuario y están bajo su control, es esencial que el usuario evalúe el producto 3M para determinar si es idóneo para un fin en particular y para el método de aplicación del usuario.

Garantía y recurso limitado: 3M garantiza este producto contra defectos de fabricación y materiales bajo condiciones de operación normales por un (1) año a partir de la fecha de compra. 3M NO EXTIENDE NINGUNA OTRA GARANTÍA, EXPLÍCITA O IMPLÍCITA, INCLUYENDO, DE MANERA ENUNCIATIVA MAS NO LIMITATIVA, CUALQUIER GARANTÍA IMPLÍCITA DE COMERCIABILIDAD O IDONEIDAD PARA UN FIN PARTICULAR, ASÍ COMO CUALQUIER GARANTÍA IMPLÍCITA DERIVADA DE TRANSACCIONES, PRÁCTICAS O USOS DEL RAMO. El usuario es responsable de determinar si la herramienta 3M es adecuada para un uso particular y para la aplicación deseada por el propio usuario. Para tener derecho a la cobertura de la garantía, el usuario debe operar la herramienta de acuerdo con todas las instrucciones de operación, precauciones de seguridad y otros procesos aplicables señalados en el manual de operación. 3M no tendrá obligación alguna de reparar o reemplazar cualquier herramienta o parte que falle debido a desgaste normal, mantenimiento inapropiado, limpieza inadecuada, falta de lubricación,

ambiente de operación inadecuado, servicios públicos inapropiados, error o mal uso por parte del operador, alteración o modificación, mal manejo, falta de cuidado razonable, o debido a cualquier causa accidental. Si una herramienta o parte de la misma resulta defectuosa durante este período de garantía, el recurso exclusivo para usted y la única obligación de 3M consistirá en la reparación o el reemplazo de la herramienta o el reembolso del precio de compra, a elección de 3M.

Limitación de responsabilidad: Excepto donde esté prohibido por ley, ni 3M ni el vendedor serán responsables de ninguna pérdida o daños y perjuicios derivados del producto 3M, ya sean directos, indirectos, especiales, incidentales o consecuentes, independientemente de la teoría legal esgrimida, incluyendo garantía, contrato, negligencia o responsabilidad objetiva.

Presentación de un Reclamo de Garantía: Contáctese con su vendedor al presentar un reclamo de garantía de acuerdo con las restricciones arriba enumeradas. Por favor, tenga en cuenta que todos los reclamos de garantía están sujetos a la aprobación del fabricante. Asegúrese de guardar su comprobante de compra en un lugar seguro. El mismo deberá ser presentado al entablar una demanda por reclamo de garantía, dentro del año contado a partir de la fecha de compra. Para obtener más ayuda, llame al 1-800-362-3550.

Reparación del Producto después que la Garantía Haya Caducado: La reparación de las herramientas Abrasivas Motorizadas de 3M no amparadas por la garantía puede obtenerse a través de 3M o de un Representante Autorizado por 3M para la Reparación de Herramientas. Contáctese con el Distribuidor de Herramientas Abrasivas Motorizadas de 3M para obtener detalles o llame al 1-800-362-3550.

Declaración de Conformidad CE



Nombre del fabricante: 3M Abrasive Systems Division
Dirección de fabricante: 3M Center, Building 223-6N-02
 St Paul, MN USA 55144

Por medio de la presente declara que la maquinaria descrita a continuación cumple con los requisitos esenciales de higiene y seguridad aplicables de la Directiva de Maquinaria 2006/42/EC y con todas sus modificaciones hasta la fecha.

Descripciones: Lijadora de Correa para Limar de 3M™, 1/8-3/4 pulg. x 18-24 pulg (3-19 mm x 457-610 mm) 22,000 RPM, 4990 SFPM (pies superficiales por minuto) (1521 smm - metros superficiales por minuto); Empaquetado como herramienta solamente o en forma del "kit" con los accesorios.

Modelos numerados: 28366 (herramienta solamente), 28367 (kit)

Se ha hecho referencia o se ha cumplido con las siguientes normas, total o parcialmente, según sea pertinente:

- EN ISO 12100-1:2003 A1:2009 Seguridad de las máquinas. Conceptos básicos y principios generales para el diseño – Terminología básica y metodología
- EN ISO 12100-2:2003 A1:2009 Herramientas portátiles de accionamiento no eléctrico - Requisitos de Seguridad – Parte 8: Lijadoras y Pulidoras
- EN 983:1996 A1:2008 Seguridad de las máquinas. Requisitos de seguridad para sistemas y componentes para transmisiones hidráulicas y neumáticas. Neumática
- EN ISO 14121-1:2007 Seguridad de las máquinas – Principios para la evaluación de riesgos
- EN ISO 28662-1:1992 Herramientas mecánicas portátiles de mano. Medida de las vibraciones en la empuñadura. Parte 1: Generalidades
- IEC EN 60745-1:2006* Herramientas eléctricas, accionadas a motor, de mano. Seguridad. Requerimientos generales
- IEC EN 60745-2-4:2003 A1:2007* Herramientas eléctricas, accionadas a motor, de mano. Seguridad. Requerimientos particulares para las lijadoras y pulidoras que no sean del tipo a disco
- EN ISO 15744:2008 Herramientas portátiles de accionamiento no eléctrico. Código para medición del nivel de ruido. Método de ingeniería (clase 2)

* aplicado para las mediciones de vibración solamente; fuerza de avance reducida – consulte las especificaciones del producto

Nombre completo del responsable: Stefan A. Babirad
Puesto: Director Técnico

Firma: **Fecha:**

Nombre completo y dirección de la persona responsable de compilar el archivo técnico dentro de la Comunidad:
 Sr. Claus Geiger – Operaciones de Mercadotecnia, Abras. Syst. Div, 3M Deutschland GmbH, Carl-Schurz-Strasse 1, D-41453 Nuess, Alemania

3M
 Abrasive Systems Division
 3M Center
 St. Paul, MN 55144-1000
 www.3m.com/abrasives

© 3M 2014.
 3M es una marca comercial de 3M Company.



MANUAL DE INSTRUÇÕES DA LIXADEIRA DE CORREIA

1/8-3/4 pol. x 18-24 pol. (3-19 mm x 457-610 mm) 22,000 RPM, 4990 SFPM (pés de superfície por o minuto) (1521 smm - medidores de superfície por o minuto)

Informações de Segurança Importantes



Leia, compreenda e siga todas as informações de segurança contidas nestas instruções antes de usar esta ferramenta. Mantenha estas instruções para referência futura.

Uso previsto

Esta ferramenta pneumática é feita para uso em locais industriais, e para ser usada por profissionais capacitados, treinados, de acordo com as instruções neste manual. Esta ferramenta pneumática é projetada ser usada com um braço do contato e apropriar correias abrasivas para metais lixando, madeira, pedra, plásticos e outros materiais. Ela só deve ser usada para tais aplicações de lixamento e dentro de sua capacidade e classificações marcadas. Somente acessórios especificamente recomendados pela 3M devem ser usados com esta ferramenta. A utilização de qualquer outra maneira ou com outros acessórios pode levar a condições operacionais inseguras.

Não opere a ferramenta na água ou em uma aplicação excessivamente úmida.

Explicação dos sinais de segurança

-  **ADVERTÊNCIA:** Indica uma situação potencialmente perigosa que, se não foi evitada, poderá resultar em morte ou lesão séria e/ou dano à propriedade.
-  **CUIDADO:** Indica uma situação potencialmente perigosa que, se não foi evitada, poderá resultar em lesões menores ou moderadas e/ou dano à propriedade.

Leia a Folha de Dados de Segurança de Materiais (Material Safety Data Sheet - MSDS) antes de usar quaisquer materiais.



Entre em contato com os fornecedores dos materiais de trabalho e materiais abrasivos para obter cópias das MSDSs caso estas não estejam disponíveis.

ADVERTÊNCIA

A exposição aos PÓS produzidos pelos materiais de trabalho e/ou pelos materiais abrasivos pode resultar em lesões pulmonares e/ou outras doenças graves.

Use um coletor de pó ou exaustores conforme indicado nas MSDSs. Use equipamentos respiratórios de proteção e proteção para os olhos e para a pele aprovados pelo governo.

Podem ocorrer lesões pulmonares e/ou outras doenças graves se estas instruções não forem seguidas.



ADVERTÊNCIA

Para reduzir os riscos associados com impactos de produto abrasivo ou quebra de ferramenta, extremidades cortantes, pressão perigosa, ruptura, vibração e ruído:

- Leia, compreenda e siga as informações de segurança contidas nestas instruções antes de usar esta ferramenta. Mantenha estas instruções para referência futura.
- Somente pessoal adequadamente treinado deve ter permissão para fazer manutenção nesta ferramenta.
- Requisitos práticos de segurança. Trabalhe alerta, vista-se adequadamente e não opere as ferramentas se estiver sob a influência de álcool ou drogas.
- Os operadores e demais funcionários devem sempre usar proteção visual, auditiva e respiratória quando estiverem na área de trabalho ou ao operarem este produto. Siga a política de segurança do seu empregador sobre o uso de EPIs e/ou a ANSI Z87.1 ou os padrões locais/nacionais em relação aos requisitos para óculos e outros equipamentos de proteção individual.
- Use vestimenta de proteção levando em consideração o tipo de trabalho a ser feito.
- Nunca exceda a pressão máxima de entrada indicada (90 psi/0,62 Mpa/6,2 bar).
- Sempre use uma proteção visual adequada.
- A ferramenta não deve ser operada na presença de observadores.
- Se perceber qualquer ruído ou vibração anormal ao operar o produto, interrompa imediatamente a sua utilização e inspeção quanto a desgaste ou componentes danificados. Corrija ou substitua o componente suspeito. Se o ruído ou vibração anormal ainda persistir, retorne a ferramenta para a 3M para reparo ou substituição. Consulte as instruções da garantia.
- Nunca opere esta ferramenta sem todos os recursos de segurança nos devidos lugares e em ordem de trabalho adequada.
- Nunca desactive o control de início-paro de segurança que está en el modo de encendido.
- Assegure-se de que a ferramenta esteja desconectada da sua fonte de ar antes de inspecionar, limpar, prestar assistência e manutenção, e antes de trocar o produto abrasivo.
- Antes de usar, inspeccione o produto abrasivo, a base do disco e os demais acessórios quanto a possíveis danos. Se estiver danificado, substitua por novo produto abrasivo e pelos acessórios disponíveis da 3M.
- Use apenas acessórios fornecidos ou recomendados pela 3M.
- Nunca deixe que esta ferramenta seja usada por crianças ou outras pessoas não treinadas.
- Não deixe uma ferramenta sem atenção conectada à fonte de ar.
- Use somente com hardware de montagem recomendado pela 3M; verifique com a 3M os requisitos de hardware de montagem.
- Antes de usar, assegure-se que a proteção está orientada para proteger o operador de fragmentos voantes e esteja presa devidamente.
- Se a ferramenta estiver travada, desligue a ferramenta, desconecte a mangueira de ar e destrave-a. Assegure-se de que o produto abrasivo esteja preso corretamente.
- Nunca opere esta ferramenta sem que todas as proteções e características de segurança estejam em seu lugar e em condição operacional devida.

Tradução das Instruções Originais

⚠ ADVERTÊNCIA

Para reduzir os riscos associados a vibração:

- Se houver algum desconforto físico na mão/pulso, o trabalho deve ser interrompido imediatamente para procurar ajuda médica. Lesões na mão, no pulso e no braço podem resultar de trabalho, movimento e sobreexposição à vibração repetitivos.

Para reduzir os riscos associados a ruído alto:

- Sempre use proteção auditiva enquanto operar esta ferramenta. Siga a política de segurança de seu empregador ou os padrões locais/nacionais para os requisitos de equipamentos de proteção pessoal.

Para reduzir os riscos associados a fogo ou explosão:

- Não opere a ferramenta em atmosferas explosivas, como, por exemplo, na presença de líquidos, gases ou poeiras inflamáveis. Os abrasivos podem criar faíscas ao se trabalhar com o material, resultando na ignição da poeira ou dos vapores inflamáveis.
- Consulte a MSDS do material sendo trabalhado quanto ao potencial para a criação de risco de incêndio ou explosão.

Para reduzir os riscos associados a ingestão ou exposição de olhos/pele a poeira perigosa:

- Use proteção respiratória e para pele apropriada ou faça exaustão local conforme exposto na Folha de Informação de Segurança dos Materiais (MSDS, Material Safety Data Sheet) do material a ser trabalhado.

Para reduzir os riscos associados a tensão perigosa:

- Não permita que esta ferramenta entre em contato com fontes de energia elétrica, pois a ferramenta não é isolada contra choque elétrico.

⚠ PRECAUÇÃO

Para reduzir os riscos associados a abrasão, queimaduras, cortes ou infiltração na pele:

- Mantenha mãos, cabelos e vestimentas longe das partes giratórias da ferramenta.
- Use luvas de proteção adequadas durante a operação da ferramenta.
- Não toque nas partes giratórias durante a operação, por nenhum motivo.
- Não force a ferramenta nem use força excessiva ao utilizá-la.

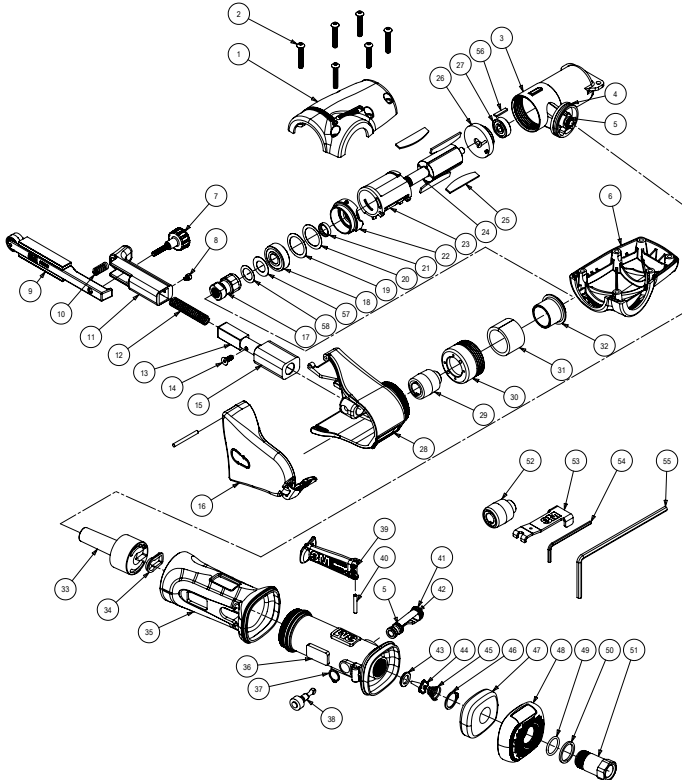
Para reduzir o risco associado com chicoteamento ou ruptura por pressão perigosa:

- Certifique-se de que a mangueira de alimentação seja resistente a óleo e esteja adequadamente calibrada para a pressão de trabalho requerida.
- Não use ferramentas com mangueiras de ar ou conexões frouxas ou danificadas.
- Esteja ciente de que mangueiras e conexões instaladas incorretamente podem se soltar inesperadamente a qualquer momento e criar perigo de chicoteamento/impacto.

Pour éviter que les pièces ou produits abrasifs ne se décrochent:

- Tome cuidado ao conectar a boina do polidor e a boina de disco; siga as instruções para garantir que estejam presas à ferramenta firmemente antes de usar.
- Nunca aponte este produto na sua própria direção ou na direção de outra pessoa, ou ligue a ferramenta acidentalmente.
- Nunca aperte excessivamente os prendedores dos acessórios.

PÁGINA DE DESCRIÇÃO DAS PEÇAS



LISTA DE PEÇAS

ITEM	3M de Número da peça	Descrição	Quantidade
1	30611	ALOJAMENTO - ESQUERDA	1
2	30612	M4 x 25 mm PARAFUSO DA COBERTURA DA CABEÇA DO SOQUETE INFERIOR	6
3	30613	ESTOJO DO MOTOR	1
4	30614	ANEL TIPO "0" 31 mm ID x 1.5 mm LARGURA	1
5	30615	ANEL TIPO "0" 8 mm ID x 1 mm LARGURA	2
6	30616	ALOJAMENTO - DIREITA	1
7	30617	ALOJAMENTO - DIREITA	1
8	30618	PARAFUSO DA COBERTURA DA CABEÇA DO SOQUETE - M3 x 4, AÇO	1
9	28368	*BRAÇO DE CORREIA ESTILO PADRÃO	1
10	30619	MOLA, INCLINAÇÃO DE ACOMPANHAMENTO	1
11	30620	MONTAGEM DO BRAÇO DE ACOMPANHAMENTO	1
12	30621	MOLA - TENSÃO DA CORREIA	1
13	30622	BATENTE DO BRAÇO DE ACOMPANHAMENTO	1
14	30623	PARAFUSO DE MÁQUINA DE CABEÇA EMBUTIDA DE SOQUETE SEXTAVADO M4 x 10	1
15	30624	COBERTURA DE POEIRA	1
16	30625	CONJUNTO DE COBERTURA DE CORREIA E ENGATE	1
17	28798	ADAPTADOR DO PRISIONEIRO DA PROPULSÃO	1
18	30627	10 mm x 26 mm x 8 mm SEARING – 2 ANTEPAROS	1
19	30628	CALÇO – 25.4 mm OD x 19 mm OD x 0.02 mm ESPESSURA	1
20	30629	CALÇO – 25.4 mm OD x 19 mm OD x 0.02 mm ESPESSURA	1
21	30630	SPACER 13.4 mm OD x 10.01 mm ID x 3.2 mm ESPESSURA	1
22	30631	CONJUNTO DA PLACA FINAL - FRENTE	1
23	30632	CILINDRO	1
24	30633	ROTOR	1
25	30634	PÁ DO ROTOR	4
26	30635	CONJUNTO DA PLACA FINAL - TRASEIRA	1
27	30636	6 mm x 19 mm x 6 mm MANCAL – 2 ANTEPAROS	1
28	30637	ALOJAMENTO DA CORREIA	1
29	30638	ROLDANA DE TRANSMISSÃO	1
30	30639	TUBULAÇÃO DA DESCARGA FRONTAL	1
31	30640	DIFUSOR	1
32	28799	ESTOJO DO MOTOR	1
33	30642	GUIA DE AR	1
34	30643	GAXETA, GUIA DE AR	1
35	30644	CABO DA EMPUNHADORA	1
36	30645	ALÇA	1
37	30646	ANEL DE RETENÇÃO, 7/16 pol.	1
38	30647	CONJUNTO DA HASTE DA VÁLVULA	1
39	30649	CONJUNTO DE MONTAGEM DA ALAVANCA DE SEGURANÇA	1
40	30650	PINO DA MOLA	1
41	30651	CONTROLE DE VELOCIDADE	1
42	30652	9 mm x 1.5 mm ANEL TIPO "0"	1
43	30653	BASE DE VÁLVULA	1
44	30654	VÁLVULA	1
45	30655	MOLA DE VÁLVULA	1
46	30656	ANEL DE RETENÇÃO, 5/8 pol.	1
47	30657	DIFUSOR	1
48	30658	COBERTURA DA DESCARGA COM ETIQUETAS	1
49	30659	ANEL TIPO "0" - 15.6 mm ID x 1.78 mm LARGURA	1
50	30660	ARRUELA, ENTRADA DE AR	1
51	30661	ADAPTADOR DE ENTRADA	1
52	30671	ROLDANA DE TRANSMISSÃO - BORRACHA	1
53	30672	CHAVE – RODA DA PROPULSÃO	1
54	30674	CHAVE, 2.5 mm CHAVE-L	1
55	30673	CHAVE, 4.0 mm CHAVE-L	1
56	28800	VEDAÇÃO	1
57	55186	PROTEÇÃO CONTRA POEIRA DO ROLAMENTO FRONTAL	1
58	A0016	ESPAÇADOR - 18.0 mm OD x 12.1 mm ID x .02	1

* Veja a lima cercar a carta do braço do contato para os braços adicionais

Configuração/Especificação do Produto: 22,000 RPM Lixadeira de Correia

Número do modelo	Tamanho da correia pol. (mm)	Velocidade do motor (RPM)	Velocidade da correia SFPM (s/mm)	Peso líquido do produto lb (kg)	Altura pol. (mm)	Comprimento pol. (mm)	Largura pol. (mm)	*Nível de ruído dBA Pressão (Força)	**Nível de vibração m/s ² (ft/s ²)	**Incerteza K m/s ²
28366	1/8-3/4 x 18-24 (3-19 x 457-610)	22,000	4990 (1521)	2.8 (1.3)	2.93 (74.5)	14.57 (370)	5.95 (151.2)	81 (90)	<2.5 (<8.2)	N/A

* Níveis declarados de ruído; medições realizadas de acordo com o padrão EN ISO 15744:2008.

** Níveis de vibração declarados de acordo com as normas EN12096; medições realizadas de acordo com o padrão EN ISO 28662-1:1992; EN60745-1:2006 e EN 60745-2-4:2007, exceto pela força de alimentação que foi reduzida para 10 N +/- 5 N devida a impraticabilidade de operar esta pequena ferramenta a 30 N +/- 5 N conforme indicado no padrão.

NOTA IMPORTANTE: Os valores de ruído e vibração mencionados na tabela são de testes de laboratório de acordo com os códigos e padrões mencionados e não são uma avaliação de risco suficiente para todos os cenários de exposição. Os valores reais de exposição e a magnitude do risco ou dano vivenciado por um indivíduo são exclusivos de cada situação e dependem do ambiente circundante, da maneira como o indivíduo trabalha, do material específico a ser trabalhado, do projeto da estação de trabalho, assim como do tempo de exposição e das condições físicas do usuário. A 3M™ não se responsabiliza pelas consequências do uso de valores declarados em vez de valores reais de exposição para qualquer avaliação individual de risco.

Instruções de operação / manutenção

ANTES DA OPERAÇÃO

A ferramenta foi criada para ser operada como ferramenta portátil. Recomenda-se que os operadores sempre que estiverem usando a ferramenta estejam sobre piso sólido, em posição segura com agarramento e apoio firmes. Certifique-se de que a ferramenta possa desenvolver uma reação de torque. Consulte a seção "PRECAUÇÕES DE SEGURANÇA".

Use uma alimentação de ar lubrificado limpo que dê uma pressão medida de ar na ferramenta de 6,2 bar (90 psig) quando a ferramenta estiver em funcionamento com a alavanca totalmente pressionada. Recomenda-se usar uma linha de ar de comprimento máximo de 10 mm (3/8 pol.) x 8 m (25 pés) aprovada. Conecte a ferramenta à alimentação de ar conforme mostrado na figura 1. Não conecte a ferramenta ao sistema da linha de ar sem uma válvula de bloqueio facilmente acessível. É altamente recomendado que sejam usados um filtro de ar, regulador e lubrificador (FRL) conforme mostrado na figura 1, pois este conjunto fornecerá ar limpo e lubrificado na pressão correta para a ferramenta. Em qualquer caso, sempre devem ser usados reguladores de pressão de ar apropriados ao operar esta ferramenta onde a pressão de alimentação exceder o máximo indicado na ferramenta. Os detalhes deste equipamento podem ser obtidos através do seu distribuidor da ferramenta. Se o equipamento não estiver em uso, a ferramenta deverá ser lubrificada manualmente. Para lubrificar a ferramenta manualmente, desconecte a linha de ar e coloque 2 a 3 gotas de óleo lubrificante adequado para motor pneumático, como, por exemplo, o lubrificante para ferramenta a ar 3M™ PN 20451, Fuji Kosan FK-20 ou Mobil ALMO 525 no final (entrada) da mangueira da ferramenta. Reconecte a ferramenta à alimentação de ar e acione a ferramenta lentamente por alguns segundos para permitir que o ar circule o óleo. Se a ferramenta for usada com frequência, lubrifique-a diariamente ou quando ela começar a ficar lenta ou perder potência. Recomenda-se que a pressão do ar na ferramenta seja 6,2 bar (90 psig) enquanto ela estiver em funcionamento, para que a velocidade máxima de rotação não seja excedida. A ferramenta pode ser operada em pressões menores, mas nunca em pressões maiores que 6,2 bar (90 psig). Se for operada em pressão menor, o desempenho da ferramenta será reduzido.

Tamanho mínimo recomendado da linha de ar		Comprimento máximo recomendado da mangueira		Pressão do ar	
10 mm	3/8 pol.	8 metros	25 pés	Pressão de trabalho máxima	6,2 bar 90 lb/pol ²
				Mínima recomendada	NA NA

Precauções de Segurança

1. Leia todas as instruções antes de usar esta ferramenta. Todos os operadores devem estar totalmente treinados no seu uso e cientes destas regras de segurança.
2. O RPM da ferramenta deve ser verificado regularmente para garantir a velocidade operacional correta.
3. Certifique-se de que a ferramenta esteja desconectada da alimentação de ar.
4. Sempre use o equipamento de segurança exigido ao usar esta ferramenta.
5. Remova sempre o suprimento de ar à ferramenta antes de caber, de ajustar ou de remover o abrasivo.
6. Sempre adote um fundamento e um aperto da empresa e esteja ciente da reação do torque desenvolvida pela ferramenta.
7. Use somente peças sobressalentes aprovadas pela 3M.
8. Sempre assegure-se de que o material a ser trabalhado esteja firmemente fixado para impedir movimentação.
9. Verifique a mangueira e as conexões regularmente quanto a desgaste. Não segure a ferramenta pela mangueira; sempre tome cuidado para evitar que a ferramenta seja iniciada ao segurá-la com a alimentação de ar conectada.
10. A poeira pode ser altamente combustível.
11. Se a ferramenta for submetida a manutenção ou reconstruída, verifique para garantir que a velocidade máxima de rotação da ferramenta não seja excedida e para que não haja vibração excessiva.
12. Não exceda a pressão de ar máxima recomendada. Use equipamento de segurança conforme recomendado.
13. A ferramenta não é eletricamente isolada. Portanto, não a utilize onde haja a possibilidade de contato com eletricidade viva, tubulação de gás e/ou tubulação de água.
14. Esta ferramenta não é protegida contra perigos inerentes em operações de corte e nenhum produto de corte deve ficar preso.
15. Tome cuidado para evitar enroscamento das partes móveis da ferramenta em vestimentas, gravatas, cabelos, panos de limpeza ou objetos pendentes soltos. Se enroscar, interrompa a alimentação de ar imediatamente para impedir contato com as partes móveis da ferramenta.
16. Se a ferramenta parecer não estar funcionando bem, retire-a de uso imediatamente e providencie assistência e reparo.
17. Não permita que a ferramenta gire livremente sem tomar as devidas precauções para proteger qualquer pessoa ou objeto contra perda de material abrasivo ou rupturas da base.
18. Quando a ferramenta não estiver em uso, armazene-a em ambiente seco e limpo, livre de detritos.
19. Recicle ou descarte a ferramenta de acordo com os regulamentos locais, estaduais e federais.

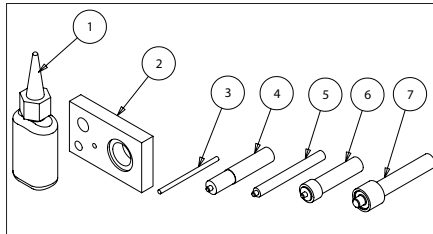
Braços de contato de correia da 3M™

Os Braços de Contato da 3M são perfeitamente ajustados para usar na Lixadeira de Correia da 3M. Construídos com materiais superiores, de qualidade industrial, sua durabilidade e construção precisa são o complemento ideal para o desempenho da Lixadeira de Correia da 3M. A tabela a seguir é uma amostra dos produtos oferecidos.

Veja o catálogo de Acessórios ASD 611-5002-8098-9 da 3M para Acessórios adicionais.

Kit de ferramentas de manutenção

Description	Número da peça
Kit de ferramentas de manutenção	30670



NUMÉRO DO COMPOSANT	Description	Quantidade
1	COMPOSTO DE RETENÇÃO	1
2	BLOCO DE POSIÇÃO DA RODA	1
3	FERRAMENTA DE REMOÇÃO DO EIXO	1
4	FERRAMENTA DE REMOÇÃO DO MANCAL DE 3/8 pol. de DI (Diâmetro Interno)	1
5	FERRAMENTA DE REMOÇÃO DO MANCAL DE 1/4 pol. de DI (Diâmetro Interno)	1
6	CONJUNTO DE MONTAGEM DA ALAVANCA DE SEGURANÇA	1
7	FERRAMENTA DO MANCAL DE 5/8 pol. de DI (Diâmetro Interno)	1

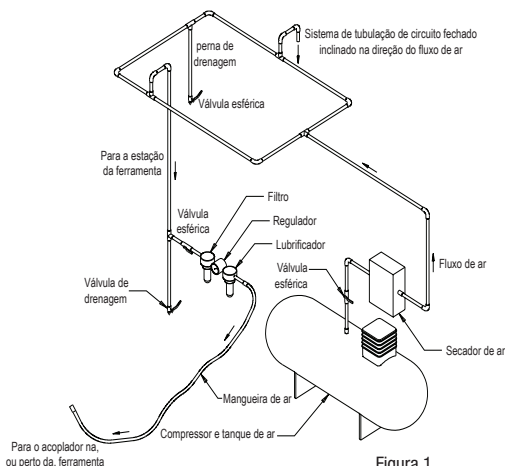
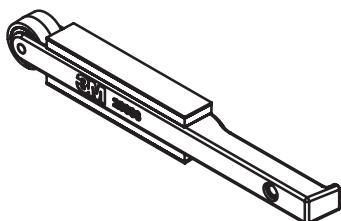
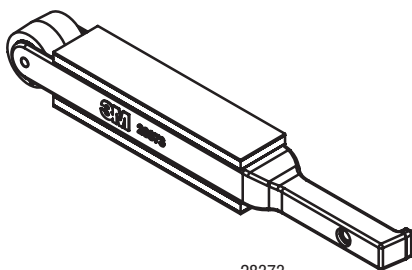


Figura 1

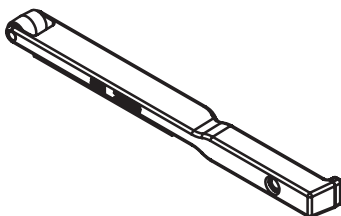
Braços de contato de correia



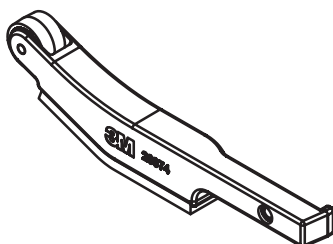
28368



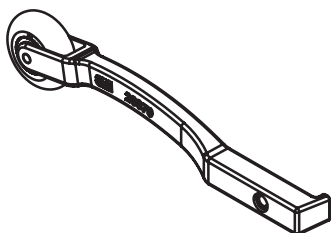
28373



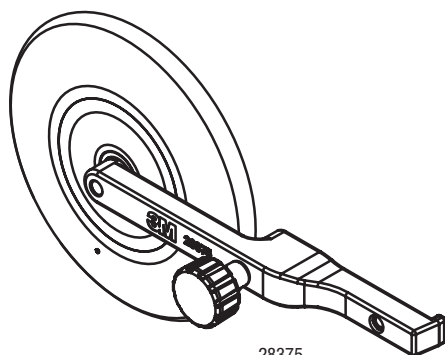
28369



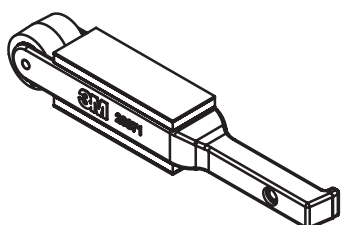
28374



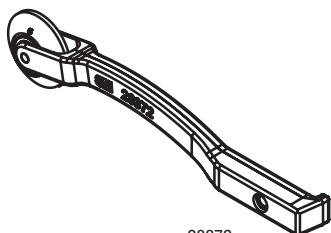
28370



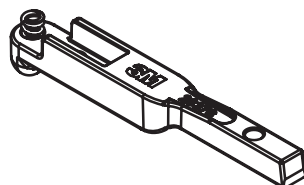
28375



28371



28372



28376

Braços de contato de correia

Descrição do braço de correia	N/P do braço	N/P do Kit de reparo	Description	Quantidade
Coisa estilo padrão	28371	30664	Apoio, Placa de neoprene de 3/4 pol. De largura	2
			Roda, dia. De contato de 3/4 pol. c 5/8 pol. de largura	1
			Rolamento, DE (Diâmetro Externo) de 3/8 pol. x 1/8 pol. de DI (Diâmetro Interno), 5/32 pol. De largura	2
			Eixo, Diâmetro de 1/8 de pol. x 3/4 pol. de comprimento, Disco de contato de rolamento	1
Braço de 20 1/2 pol.	28373	30665	Apoio, Placa de cortiça de 3/4 pol. De largura	2
			Roda, dia. De contato de 3/4 pol. c 5/8 pol. de largura	1
			Rolamento, DE (Diâmetro Externo) de 3/8 pol. x 1/8 pol. de DI (Diâmetro Interno), 5/32 pol. De largura	2
			Eixo, Diâmetro de 1/8 de pol. x 3/4 pol. de comprimento, Disco de contato de rolamento	1
Estilo padrão	28368	30663	Apoio, Placa de neoprene de 1/2 pol. De largura	2
			Roda, dia. De contato de 5/8 pol. c 3/8 pol. de largura	1
			Eixo, Diâmetro de 1/8 de pol. x 1/2 pol. de comprimento, Disco de contato de rolamento	1
			Rolamento, DE (Diâmetro Externo) de 3/8 pol. x 1/8 pol. de DI (Diâmetro Interno), 5/32 pol. De largura	2
Estilo fino	28369	30667	Apoio, Placa de 1/2 pol. De largura	1
			Rolamento, DE (Diâmetro Externo) de 1/4 pol. x 1/8 pol. de DI (Diâmetro Interno), 7/64 pol. de largura	2
			Roda, dia. De contato de 5/16 pol. c 3/8 pol. de largura	1
			Eixo, Diâmetro de 1/8 de pol. x 1/2 pol. De comprimento, Disco de contato de rolamento	1
Estilo de cantos	28370	30668	Rolamento, DE (Diâmetro Externo) de 3/8 pol. x 1/8 pol. De DI (Diâmetro Interno), 5/32 pol. de largura	2
			Eixo, Diâmetro de 1/8 de pol. x 1/2 pol. de comprimento, Disco de contato de rolamento	1
			Roda, dia. De contato de 1 pol. c 3/8 pol. de largura	1
Estilo de cantos	28372	30666	Roda, dia. De contato de 1 pol. c 3/8 de largura	1
			Rolamento, DE (Diâmetro Externo) de 3/8 pol. x 1/8 pol. De DI (Diâmetro Interno), 5/32 pol. de largura	2
			Eixo, Diâmetro de 1/8 de pol. x 1/2 pol. De comprimento, Disco de contato de rolamento	1
Braço curvo	28374	30662	Apoio, Placa de cortiça de 1/2 pol. de largura	1
			Roda, dia. De contato de 5/8 pol. c 3/8 pol. de largura	1
			Rolamento, DE (Diâmetro Externo) de 3/8 pol. x 1/8 pol. de DI (Diâmetro Interno), 5/32 pol. de largura	2
			Eixo, Diâmetro de 1/8 de pol. x 1/2 pol. De comprimento, Disco de contato de rolamento	1
Braço de vaso	28375	30669	ARRUELA	1
			Rolamento, 5/8 pol. x 1/4 pol. x .196 pol.	2
			Roda de contato – 4 pol.	1
			Mola, Inclinação de acompanhamento 1/4-28 x 3/4 pol.	1
Extensão	28376	N/A	Mola, Inclinação de acompanhamento	1
			Parafuso	1

Montagem e Remoção de Correia Abrasiva

Para instalar/remover a correia:

1. Desconecte a linha de ar.
2. Gire o engate da cobertura da correia para soltar a cobertura da correia.
3. Gire a cobertura da correia para cima, expondo a roldana de transmissão.
4. Puxe para trás a montagem do braço de acompanhamento para obter e manter uma folga na correia.
5. Remova e substitua a correia, e então solte a Montagem do Braço de Acompanhamento para voltar o ter tensão na correia.
6. Gire a cobertura da correia para baixo, e gire o engate da cobertura da correia para baixo, prendendo a cobertura da correia.
7. Conecte a linha de ar.
8. Ajuste o acompanhamento da correia girando o botão para a direita ou para a esquerda como necessário, enquanto a máquina estiver funcionando.

Ajuste do acompanhamento da correia

Para ajustar o acompanhamento da correia:

1. Enquanto a ferramenta está funcionando, gire o botão de acompanhamento para a direita ou para a esquerda, para que a correia abrasiva funcione centrada sobre a roda do braço de contato. (Veja a Fig. 2)
2. Sempre aplique o lado de retorno da correia à peça de trabalho para manter o acompanhamento correto.

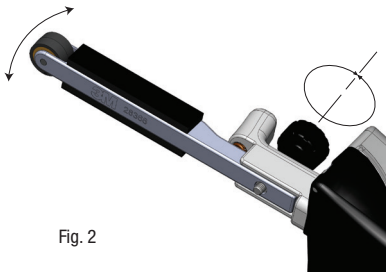


Fig. 2

Montagem e remoção dos braços de contato

Para instalar/trocar o braço de contato:

1. Desconecte a linha de ar.
2. Gire o engate da cobertura da correia para soltar a cobertura da correia.
3. Gire a cobertura da correia para cima, expondo a roldana de transmissão.
4. Puxe para trás a montagem do braço de acompanhamento para obter e manter uma folga na correia.
5. Remova a correia.
6. Remova o botão de acompanhamento.
7. Remova o braço de contato e substitua com o braço desejado. Certifique-se de que a guia na extremidade do braço seja o canal da Montagem do Braço de Acompanhamento. (Veja a fig. 3)
8. Substitua o botão de acompanhamento e aperte-o no orifício chanfrado no braço de contato para que o braço de contato esteja tão reto quanto possível.
9. Instale a correia abrasiva e prenda a cobertura da correia.
10. Conecte a linha de ar e ajuste o acompanhamento da correia girando o botão de acompanhamento como necessário enquanto a máquina está funcionando.

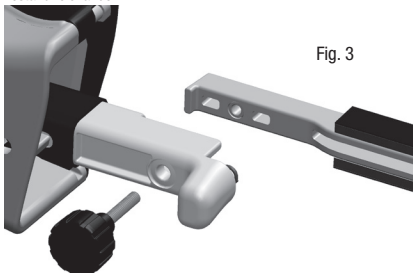


Fig. 3

Ajuste do Alojamento da Correia e da Posição do Cabo

Para ajustar a posição do alojamento da correia:

1. Desconecte a linha de ar.
2. Solte os parafusos de cobertura M4 "A" e "B": (Veja a Fig. 4)
3. Gire o Alojamento da Correia para a posição desejada. Os detentores indicam as posições dentro de uma amplitude de 360 graus.
4. Aperte os parafusos de cobertura M4 "A" e "B":

Para ajustar a posição do cabo/alavanca:

1. Desconecte a linha de ar.
2. Solte os parafusos de cobertura M4 "B" e "C": (Veja a Fig. 4)
3. Rotate the Handle/Lever to the desired position. Detents indicate the positions within a 360 degree range.
4. Aperte os parafusos de cobertura M4 "B" e "C":

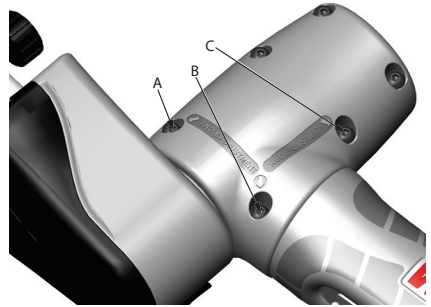


Fig. 4

Uso do produto: Todas as instruções, informações técnicas e recomendações contidas neste documento se baseiam em testes ou experiência que a 3M acredita serem confiáveis. No entanto, vários fatores além do controle da 3M podem afetar o uso e o desempenho de um produto 3M em uma aplicação específica, incluindo as condições sob as quais o produto 3M é usado e as condições de tempo e ambientais nas quais o produto deve funcionar. Como esses fatores estão exclusivamente dentro do conhecimento e controle do usuário, é essencial que o usuário avalie o produto 3M para determinar se ele é adequado para uma finalidade específica e apropriado para o seu método de aplicação.

Garantia e solução limitada: A 3M garante esta ferramenta contra defeitos de mão-de-obra e materiais sob condições normais de operação por um (1) ano a partir da data de compra. A 3M NÃO DÁ NENHUMA OUTRA GARANTIA, EXPRESSA OU IMPLÍCITA, INCLUINDO, ENTRE OUTRAS COISAS, QUALQUER GARANTIA IMPLÍCITA DE COMERCIABILIDADE OU ADEQUAÇÃO PARA UMA FINALIDADE ESPECÍFICA OU QUALQUER GARANTIA IMPLÍCITA QUE SURJA DE UM CURSO DE NEGOCIAÇÃO, CUSTUME OU USO DE COMERCIALIZAÇÃO. O usuário é responsável por determinar se a ferramenta 3M é adequada para uma finalidade específica e apropriada para sua aplicação. O usuário deve operar a ferramenta de acordo com todas as instruções de operação, precauções de segurança e outros procedimentos aplicáveis declarados no manual de operação para ter direito à cobertura da garantia. A 3M não tem a obrigação de reparar ou substituir nenhuma ferramenta ou peça que falhar devido a desgaste normal, manutenção inadequada ou

inapropriada, limpeza inadequada, não lubrificação, ambiente inadequado de operação, utilizações inadequadas, erro ou mau uso pelo operador, alteração ou modificação, operação errada, falta de cuidado razoável ou devido a qualquer causa acidental. Se a ferramenta ou qualquer peça pertencente a esta apresentar defeito dentro do período desta garantia, a sua solução exclusiva e a obrigação única da 3M serão, a critério da 3M, reparar ou substituir a ferramenta ou reembolsar o valor de compra.

Limitação de Responsabilidade: Exceto onde proibido por lei, a 3M e o vendedor não são responsáveis por qualquer perda ou dano decorrente deste produto da 3M, quer direta, indireta, especial, incidental ou consequente, independentemente da teoria legal empregada, incluindo responsabilidade de garantia, contrato, negligência, ou estrita.

Envio de um pedido de garantia: Contate seu revendedor ao enviar um pedido de garantia de acordo com as restrições listadas acima. Por favor, note que todos os pedidos de garantia estão sujeitos à aprovação do fabricante. Certifique-se de guardar seu recebido de compra em um lugar seguro. Este deve ser enviado quando se faz um pedido de garantia, dentro de 1 ano da data de compra. Para assistência adicional, ligue para 1-800-362-3550.

Reparo do produto após a garantia ter expirado: O reparo de ferramentas elétricas abrasivas da 3M que não estejam sob garantia está disponível através da 3M ou de um representante de reparo de ferramentas autorizado da 3M. Entre em contato com seu distribuidor de ferramentas elétricas abrasivas da 3M para obter mais detalhes, ou ligue para 1-800-362-3550.

Declaração de Conformidade CE



Nome do fabricante: 3M Abrasive Systems Division
Endereço do fabricante: 3M Center, Building 223-6N-02
 St Paul, MN USA 55144

Por meio desta, declara-se que os equipamentos descritos abaixo atendem aos requisitos essenciais de saúde e segurança em vigor da Diretiva para Máquinas 2006/42/EC, em conjunto com todas as emendas até a presente data.

Descrições: Lixadeira de Corrente de 3MTM, 1/8-3/4 pol. x 1/8-24 pol. (3-19 mm x 457-610 mm) 22,000 RPM, 4990 SPPM (pés de superfície por o minuto) (1521 smm - medidores de superfície por o minuto; Empacotado como ferramenta sozinho ou no formulário do "jogo" com acessórios.

Números de modelo: 28366 (ferramenta sozinho), 28367 (jogo)

Os seguintes padrões foram consultados ou seguidos, no todo ou em parte, conforme relevante:

EN ISO 12100-1:2003 A1:2009 Segurança dos equipamentos. Conceitos básicos, princípios gerais para projeto –
 EN ISO 12100-2:2003 A1:2009 Terminologia básica e princípios técnicos
 EN 792-8:2001 A1:2008 Ferramentas portáteis não elétricas – Requisitos de segurança – Parte 8: Lixadeiras e Polidores
 EN 983:1996 A1:2008 Segurança dos equipamentos. Requisitos de segurança para sistemas e componentes hidráulicos – Pneumáticos
 EN ISO 14121-1:2007 Segurança dos equipamentos. Princípios de avaliação de riscos
 EN ISO 28662-1:1992 Ferramentas portáteis – Medição de vibrações no cabo – Parte 1: Geral
 IEC EN 60745-1:2006* Ferramentas elétricas de mão operadas por motor. Segurança. Requisitos gerais
 IEC EN 60745-2-4:2003 Ferramentas elétricas de mão operadas por motor. Segurança. Requisitos específicos para lixadeiras e polidores exceto tipo de disco
 A1:2007*
 EN ISO 15744:2008 Ferramentas portáteis não elétricas. Código para medição de ruído. Método de engenharia (grau 2)

* aplicado apenas para medições de vibração: força de alimentação reduzida - consulte as especificações do produto.

Nome completo da pessoa responsável:

Stefan A. Babirad **Cargo:** Diretor técnico

Assinatura: **Data:**

Nome e endereço completos da pessoa responsável para compilar o arquivo técnico entre a Comunidade:

St. Claus Geiger – Operaciones de Mercadotecnia, Abras. Syst. Div, 3M Deutschland GmbH, Car 1-Schurz-Strasse 1, D-41453 Neuss, Alemanha

3M
 Abrasive Systems Division
 3M Center
 St. Paul, MN 55144-1000
 www.3M.com/abrasives

© 3M 2014.
 3M é uma marca registrada da Companhia 3M.



直列砂带机说明手册

1/8-3/4英寸 x 18-24英寸(3-19毫米 x 457-610毫米) 22,000 RPM, 4990呎/分 (表面呎每分钟) (1521米/分 - 表面米每分钟)

重要安全信息


在使用本工具之前, 请阅读、理解并遵守这些用法说明所包含的所有安全信息。保留这些用法说明, 以备将来查阅。


设计用途

根据本手册的用法说明, 这种气动工具是为专用于工业场所而设计的, 并且只能由技术熟练、训练有素的专业人员来使用。这种气动工具被设计成能和接触臂以及适当的砂带一起使用, 用于砂光金属、木料、石料、塑料和其它材料。其只能应用于这类磨砂用途, 并且只能在其标示的容量和等级之内使用。本工具只能使用由3M特别推荐的配件。以任何其它方式或与其它配件一起使用都可能导致不安全的操作状况。

不要在水中或者过分潮湿的应用中操作本工具

符号内容说明

 **警告:** 显示有潜在的危險情况, 若未避免可能导致死亡或严重的伤害及/或财产损失。

 **小心:** 显示有潜在的危險情况, 若未避免可能导致低或中级伤害及/或财产损失。

使用任何材料前, 请阅读材料安全资料说明书(MSDS)。



若无MSDS, 请洽加工件材料及砂纸材料供应商索取MSDS副本。



警告

暴露於加工件及/或砂纸材料产生的粉尘, 可能导致肺部伤害及/或其他身体的伤害。
请依照MSDS规定, 使用集尘器或现场抽风装置, 并请戴上政府单位核准的口罩及眼部与皮肤防护装置。



警告

为了减少与研磨产品冲击、或工具破损、锐边、危險高压、破裂、振动和噪声有关的危險:

- 在使用本工具之前, 请阅读、理解并遵守这些用法说明所包含的安全信息。保留这些用法说明, 以备将来查阅。
- 只允许经过正确训练的人员来维修本工具。
- 操作时要小心, 正确着装, 而且不要在酒精或毒品的影响下操作工具。
- 当身处这种工作区域或者在操作这种产品时, 操作者和其它人员必须总是穿戴眼睛、耳朵以及呼吸方面的保护器材。遵守贵公司的PPE安全政策和/或ANSI Z87.1或者当地/国家的防护眼镜标准及其它个人防护设备要求。
- 根据将要完成的工作类型, 穿戴好防护服。
- 决不要超过标示的最大输入压力(90psi / 6.2Mpa / 6.2Bars)。
- 必须总是佩戴好正确的眼睛保护器材。
- 在旁观者在场的情况下, 不要操作本工具。
- 在操作该工具的时候, 如果你注意到任何异常的噪音或者振动, 请立即停止其使用, 并检查各个组件是否有磨损或者损坏。纠正或更换可疑组件。如果异常噪音仍然存在, 请将工具送回3M进行修理或者更换。请参阅保修说明。
- 如果所有安全措施都没有到位, 而且工作状况不就绪的话, 决不要操作本工具。
- 不要撤消或停用起止控制的安全功能, 这样使其一直处于开通位置。
- 在维修、检查、养护、清洁之前以及在更换研磨产品之前, 要先确保该工具已从其气源断开。
- 在使用之前, 先检查研磨产品和配件是否有可能的损坏。如果已受损, 用3M可供应的新研磨产品和配件进行更换。
- 只使用由3M供应或推荐的配件。
- 决不允许儿童或其他未经培训的人使用本工具。
- 不要使无人看管的工具连接气源。
- 只使用由3M推荐的固定硬件, 请与3M确认固定硬件的要求。
- 在使用之前, 确保防护已到位, 以保护操作者免受飞起的碎片, 而且固定妥当。
- 如果该工具被卡住, 关掉工具电源, 断开空气软管, 再使其恢复正常。
- 如果所有安全措施都没有到位, 而且工作状况不就绪的话, 决不要操作本工具。

原始的指示的翻译

⚠ 警告

为了减低与振动有关的危险：

- 如果感觉身体手部/腕部有不适，应当立即停止工作，去就医诊治。手、腕和臀部伤害可能是起因于反复的工作、动作和过多曝受振动作用。

为了减低有关喧闹声的危险：

- 在操作本工具的同时，总是戴听力保护装备。请遵守你的雇主的安全政策或当地/国家的个人保护设备要求标准 ts

为了减低与火灾或者爆炸有关的各种危险：

- 不要在具有爆炸性的氛围中操作本工具，例如，在易燃性液体、气体或粉尘存在的情况下。在加工材料时，这些研磨产品都能够产生火花，导致易燃粉尘或者烟雾着火。
- 请查阅被加工材料的MSDS，确定其是否有造成火灾或者爆炸危害的可能性。

为了减低与危害性粉尘吸入或者眼睛/皮肤接触有关的各种危险：

- 根据被加工材料MSDS的规定，使用适当的呼吸和皮肤保护器材或者局部排气。

为了减低与危害性电压有关的各种危险：

- 不要使本工具接触到电力电源，因为本工具对电击并不绝缘。

联系你的3M 电动研磨工具经销商或打电话001-800-362-3550。

⚠ 小心

为了减低与皮肤擦伤、烫伤、割伤或者夹伤有关的各种危险：

- 手、头发和衣服不要靠近本工具的旋转部件。
- 在操作本工具的时候，穿戴适当的防护手套。
- 在操作期间，无论有任何理由，都不要触摸旋转部件。
- 在使用本工具时，不要强推或过度用力。

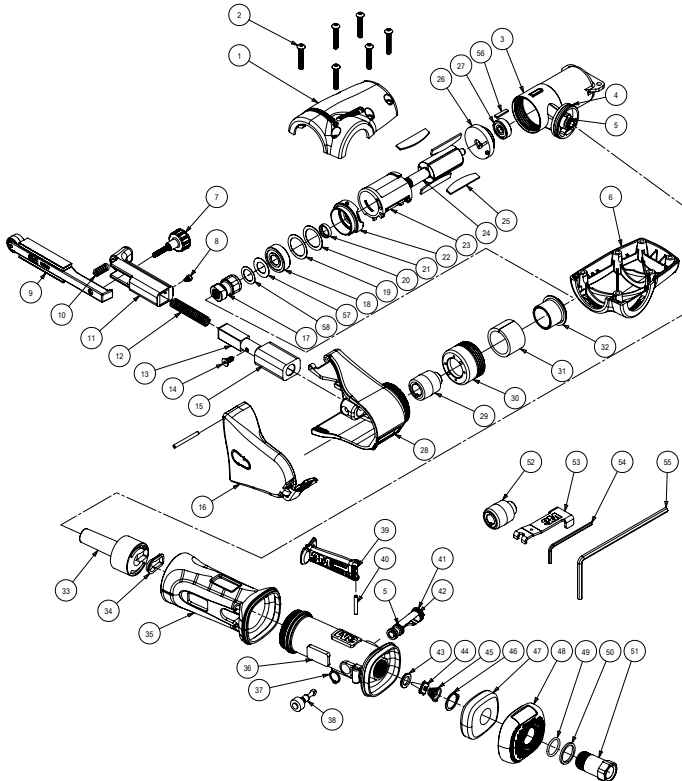
为了减低与抖动或者危害性压裂有关的各种危险：

- 保证压送软管耐油，并就要求的工作压力进行适当的等级检定。
- 供本工具使用的空气软管或者管道配件不得松脱或者受损。
- 注意：安装不正确的软管和管道配件随时都有可能突然松脱，并造成抖动/冲击危害。

为了减低与研磨产品或部件飞脱有关的危险：

- 在使用或者旋转之前，小心连接研磨产品和固定硬件；遵循使用说明，以保证将它们牢靠地连接到本工具上。
- 决不要使本工具指向你自己或他人，或者不意地起回本工具。
- 不要将配件的紧固件拧得过紧。

部件页面



部件清单

项目	3M部件编号	描述	数量
1	30611	罩 - 左	1
2	30612	M4 x 25毫米寸圆柱头螺丝	6
3	30613	马达壳	1
4	30614	O形圈31毫米ID x 1.5毫米 宽度	1
5	30615	O形圈8毫米ID x 1毫米 宽度	2
6	30616	罩 - 右	1
7	30617	轨迹/控制旋钮	1
8	30618	毫米 圆柱头螺丝 - M3 x 4, 钢	1
9	28368	*標準式砂帶接觸臂	1
10	30619	弹簧, 轨迹斜纹	1
11	30620	轨迹臂衬套	1
12	30621	弹簧 - 砂带张力	1
13	30622	轨迹臂柱	1
14	30623	内六角埋头机器螺钉 M4 x 10	1
15	30624	防尘罩	1
16	30625	砂带罩和栓组件	1
17	28798	驱动螺栓适配器	1
18	30627	10毫米 x 26 毫米 x 8 毫米轴承 - 2个防尘盖	1
19	30628	SHIM - 25.4毫米OD x 19毫米OD x 0.02毫米厚	1
20	30629	SHIM - 25.4毫米OD x 19毫米OD x 0.05毫米厚	1
21	30630	垫圈13.4毫米OD x 10.01毫米ID x 3.2毫米厚	1
22	30631	终板组件 - 前面	1
23	30632	气缸	1
24	30633	转子	1
25	30634	转子页片	4
26	30635	终板组件 - 后面	1
27	30636	6 毫米 x 19 毫米 x 6毫米轴承 - 2个防尘罩	1
28	30637	砂带罩	1
29	30638	传动轮	1
30	30639	前排气歧管	1
31	30640	消音棉	1
32	28799	马达间隔基	1
33	30642	导流构件	1
34	30643	垫片, 导流构件	1
35	30644	手柄球头	1
36	30645	手柄	1
37	30646	扣环, 7/16英寸	1
38	30647	阀杆组件	1
39	30649	安全扳機組	1
40	30650	弹簧定位销	1
41	30651	速度控制	1
42	30652	9 毫米 x 1.5 毫米O形圈	1
43	30653	阀座	1
44	30654	阀	1
45	30655	阀簧	1
46	30656	扣环, 5/8英寸	1
47	30657	消音棉	1
48	30658	带标签排气帽	1
49	30659	O形圈15.6毫米ID x 1.78毫米 宽度	1
50	30660	垫圈, 进气口	1
51	30661	进口适配器	1
52	30671	传动轮 - 橡胶	1
53	30672	扳手 - 传动轮	1
54	30674	扳手, 2.5毫米L形	1
55	30673	扳手, 4.0毫米L形	1
56	28800	密封	1
57	55186	前轴承防尘罩	1
58	A0016	垫圈 - 18.0 mm OD x 12.1 mm ID x .02	1

* 对于其它的臂, 请参看直列砂带接触臂图表

产品配置/规范：22,000 RPM 直列砂带机

型号	砂带的大小：英寸（毫米）	电机速度（RPM）	砂带速度 SFFPM (smm)	产品净重磅（公斤）	高度英寸（毫米）	长度英寸（毫米）	宽度英寸（毫米）	*噪音水平 dBA 压力（强力型）	**振动水平 m/s ² (ft/s ²)	**不确定度 K m/s ²
28366	1/8-3/4 x 18-24 (3-19 x 457-610)	22,000	4990 (1521)	2.8 (1.3)	2.93 (74.5)	14.57 (370)	5.95 (151.2)	81 (90)	<2.5 (<8.2)	N/A

*标称噪音水平；根据EN ISO 15744:2008标准执行测定。

** 公告的振动水平符合EN12096；测量是根据标准EN ISO 28662-1:1992；EN 60745-1:2006和EN 60745-2-4:2007执行的，正如标准所规定的那样，被减低至10N +/- 5N的进给力除外，因为在30N +/-5N时操作本工具不切实际。

重要注意事项：表中规定的噪音和振动数值均来自实验室测试，符合规定的条款和标准，而且并未完全评估所有情况的风险。实际暴露数值和个人遭受风险或伤害的程度因情境不同而各异，并且取决于周围的环境，个人工作、加工特定材料、工作站设计的方式以及暴露时间和用户的身体状况。如果使用的是标称数值而不是就任何个人风险进行评定的实际暴露数值，那么3M™ 概不负责这些后果。

操作/养护说明

在操作之前

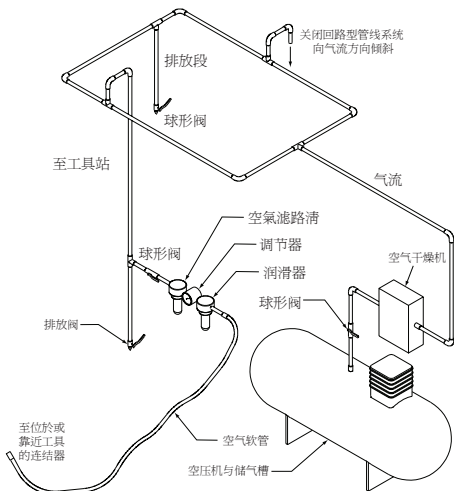
本工具的计划用途是作为一种手持工具进行操作。始终建议：在使用本工具的同时，操作者站在硬地面上、具有抓紧和立稳的牢靠工位。注意：砂光机可能形成反作用力矩。See the section "SAFETY PRECAUTIONS".

使用的气源要清洁润滑，并且在本工具以控制杆全部压下的状态运转时，在本工具上达到的气压实测值为6.2 bar (90 psig)。兹建议：使用批准的管路，其最大长度为10毫米（3/8英寸）x 8米（25英尺）。如图1所示，将工具连接到气源上。不要将本工具连接到不容易接近的闭气阀的空气管路系统上。强烈建议：请按照图1所示的那样使用空气滤器、调节器和润滑器（FRL），因为这样能够给工具供应正确压力的清洁、润滑的空气。在任何情况下，只要气源压力超过工具上标称的最大压力值，那么在操作本工具的同时，应当始终使用适当的空气压力调节器。可以从你的工具经销商处取得这种设备的详细资料。如果这种设备未被使用，应当手动为其施用润滑油。要手动润滑该工具，请断开空气管路，并将2到3滴合适的气动马达润滑油滴入工具的软管末端（进口），例如，3M™ 气动工具润滑油PN 20451、Fuji Kosan FK-20、Mobil ALMO 525。重新将本工具连接到气源上，再缓慢地运转本工具几秒钟，使得空气能够循环润滑油。如果频繁使用该工具，请每日润滑该工具，或者如果该工具的运转开始缓慢或者无力的话，就要给工具加润滑油。当工具正在运转的时候，建议加在工具上的压力为6.2 bar (90 psig)，以便不超过最大RPM。本工具可以在较低的压力下运转，但决不应该在高于6.2 bar (90 psig) 的压力下运转。如果在较低的压力下运转，那么本工具的性能也会降低。

建议的管路尺寸 – 最小		建议的最大软管长度		空气压力		
10 mm	3/8英寸	8 米	25 英尺	最大工作压力	6.2bar	90psig
				建议的最低	NA	NA

安全保护措施

1. 在使用本工具之前，请阅读所有用法说明。所有操作者都必须接受全面的使用培训，并知悉这些安全规则。
2. 应当定期检查工具RPM，保证适当的工作速度。
3. 确保本工具已从气源断开。
4. 在使用本工具时，始终穿戴要求的安全设备。
5. 在装配、调整或者取下研磨材料之前，总是先切断工具的气源。
6. 始终立稳并抓紧，而且注意该工具形成的反作用力矩。
7. 只使用3M批准的备件。
8. 始终保证牢固地固定好要被加工的材料，避免活动。
9. 定期检查软管和管道配件是否有磨损。始终注意：当运送连接有气源的工具时，不得通过工具的软管将工具提起，以免启动该工具。
10. 粉尘可能高度具有可燃性。
11. 如果维修或重构工具，要仔细检查，确保不超过工具的最大RPM，并且工具没有过度振动。
12. 不要超过建议的最大气压。根据建议使用安全设备。
13. 该工具并非电绝缘。在有可能接触到生活用电、燃气管道和/或水管的地方，都不要使用本工具。
14. 本工具并不消除砂光和切削操作固有的危害，而且决不要连接有这种配件。
15. 务必避免该工具的活动部件缠绕到衣服、领带、头发、清洁抹布或者松散的悬挂物体。如果缠绕发生的话，立即停止气源，以避免接触到工具的活动部件。
16. 如果工具出现故障，立即停止使用，并安排维修和修理。
17. 如果任何压力中断发生，立即释放启动手柄；请不要试图重新启动，直到压力中断得到纠正为止。
18. 如果工具不在使用状态时，要储存于清洁干燥、无碎屑的环境中。
19. 请根据当地、州以及联邦法规来回收或者处置工具。



图一

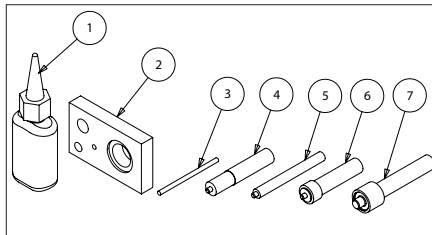
3M™直列砂带接触臂

这些工具都是用特级工业优质材料制成的，其耐用性和精确的构制都理想地补充了3M直列砂带机的性能。下表是所供产品的样本。

欲知更多的配件，请参看3M ASD配件目录61-5002-8098-9。

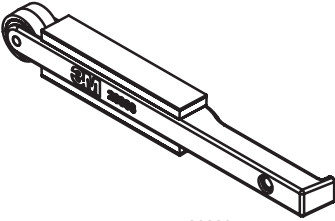
维修工具包

描述	部件编号
维修工具包	30670

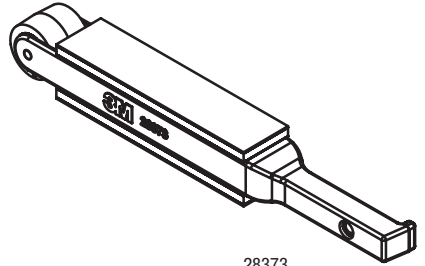


项目	描述	数量
1	锁固剂	1
2	手轮定位块	1
3	轴拆卸工具	1
4	轴承拆卸工具 3/8 英寸ID (内径)	1
5	轴承拆卸工具 1/4 英寸ID (内径)	1
6	轴承安装工具	1
7	轴承装配工具 (内径5.8寸)	1

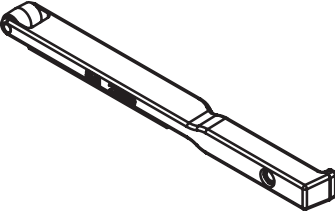
直列砂带接触臂



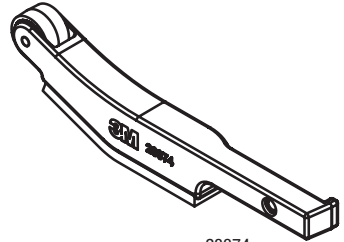
28368



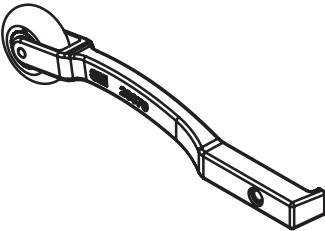
28373



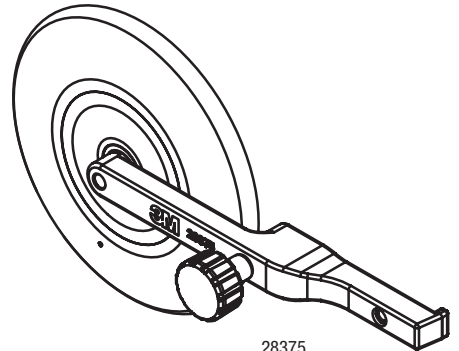
28369



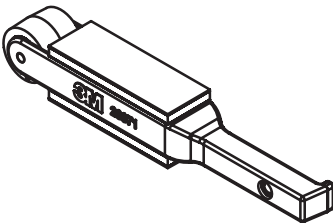
28374



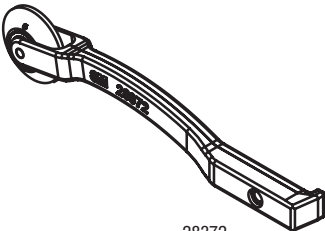
28370



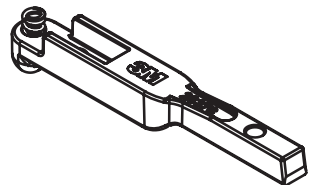
28375



28371



28372



28376

直列砂带接触臂

直列砂带臂描述	臂部件编号	修理工具 包部件 编号	描述	数量
厚型的标准样式	28371	30664	垫, 泡棉压板3/4英寸宽Pad,	2
			手轮, 接触3/4英寸直径c 5/8英寸宽	1
			轴承, 3/8英寸OD (外径) x 1/8英寸ID (内径) 5/32英寸宽	2
			轴, 1/8英寸直径 x 3/4英寸大型轴承接触轮	1
20 ½ 英寸臂	28373	30665	垫, 软木压板3/4英寸宽	2
			手轮, 接触3/4英寸直径c 5/8英寸宽	1
			轴承, 3/8英寸OD (外径) x 1/8英寸ID (内径) 5/32英寸宽	2
			轴, 1/8英寸直径 x 3/4英寸大型轴承接触轮	1
标准样式	28368	30663	垫, 泡棉压板1/2英寸宽Pad,	2
			手轮, 接触 5/8英寸直径c 3/8英寸宽	1
			轴承, 1/8英寸直径 x 1/2 英寸大型轴承接触轮	1
			轴承, 3/8英寸OD (外径) x 1/8英寸ID (内径) 5/32英寸宽	2
薄式	28369	30667	垫, 压板1/2英寸宽	1
			轴承, 3/8英寸OD (外径) x 轴承, 1/4英寸OD (外径) x 1/8英寸ID (内径) 7/64英寸宽	2
			手轮, 接触5/16 英寸直径c 3/8英寸宽	1
			轴, 1/8英寸直径 x 1/2 英寸大型轴承接触轮	1
角向式	28370	30668	轴承, 3/8英寸OD (外径) x 1/8英寸ID (内径) 5/32英寸宽	2
			轴, 1/8英寸直径 x 3/4英寸大型轴承接触轮	1
			手轮, 接触 1 英寸直径c 3/8英寸宽	1
角向式	28372	30666	手轮, 接触 1 英寸直径c 3/8英寸宽	1
			轴承, 3/8英寸OD (外径) x 1/8英寸ID (内径) 5/32英寸宽	2
			轴, 1/8英寸直径 x 1/2 英寸大型轴承接触轮	1
曲臂	28374	30662	垫, 软木压板 1/2 英寸宽	1
			手轮, 接触5/8英寸直径c 3/8英寸宽	1
			轴承, 3/8英寸OD (外径) x 1/8英寸ID (内径) 5/32英寸宽	2
			轴, 1/8英寸直径 x 1/2英寸大型轴承接触轮	1
船形臂	28375	30669	垫圈	1
			轴承, 5/8英寸 x 1/4英寸 x .196英寸	2
			接触轮 - 4英寸	1
			螺丝, 内六方 ¼-28 x 3/4 英寸	1
延伸式	28376	N/A	弹簧, 轨迹斜纹	1
			螺丝	1

安装和拆卸砂带

要安装/拆卸砂带：

1. 切断空气管路。
2. 将砂带罩栓向上掀起，以释放砂带罩。
3. 向上旋转砂带罩，暴露出传动轮。
4. 拉回轨迹臂衬套，以取得并固持砂带的松弛部分。
5. 取下并更换带，然后释放轨迹臂衬套，重新得到张紧的砂带。
6. 向下旋转砂带罩，并将砂带罩栓拉下，固定好砂带罩。
7. 连接空气管路。
8. 根据需要，在机器运转的同时，通过将旋钮向左或右转动来调整砂带轨迹。

调整砂带轨迹

要调整砂带轨迹：

1. 在工具运转的同时，将轨迹旋钮向左或右转动，以致于砂带紧贴并以接触臂轮为中心进行运转。
2. 总是将砂带的回面施用于工件表面，以维持妥当的轨迹。

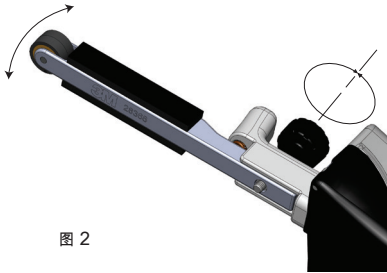


图 2

调整砂带罩和手柄位置

要调整砂带罩位置：

1. 切断空气管路。
2. 送开M4带帽螺丝“A”和“B”：(请参看图4)
3. 将砂带罩旋转至需要的位置。制动器指示360度范围之内的位置。
4. 拧紧M4带帽螺丝“A”和“B”：

要调整手柄/杆位置：

1. 切断空气管路。
2. 送开M4带帽螺丝“B”和“C”：(请参看图4)
3. 将手柄/杆旋转至需要的位置。制动器指示360度范围之内的位置。
4. 拧紧M4带帽螺丝“B”和“C”：

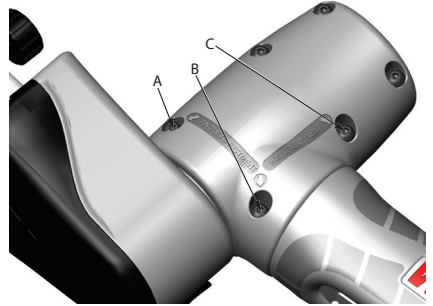


图 4

安装和拆卸接触臂

要安装/更换接触臂：

1. 切断空气管路。
2. 将砂带罩栓向上掀起，以释放砂带罩。
3. 向上旋转砂带罩，暴露出传动轮。
4. 拉回轨迹臂衬套，以取得并固持砂带的松弛部分。
5. 取下砂带。
6. 取下轨迹旋钮
7. 取下接触臂，并更换需要的臂。确保臂末端的突起处于轨迹臂套的槽道里(请参看图3)。
8. 更换轨迹旋钮，并将其拧紧到接触臂上的攻纹孔中，使接触臂尽可能直。
9. 安装砂带，并固定砂带罩。
10. 连接空气管路，并通过根据需要转动轨迹旋钮来调整砂带轨迹。

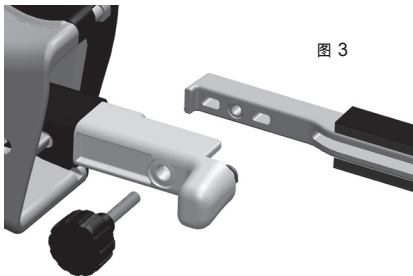


图 3

产品使用：本文中包含的所有声明、技术信息和建议都基于3M认为可靠的测试或经验。但是，很多在3M控制以外因素可能会影响3M产品在特殊应用中的使用性能和条件。由于这些因素只能为用户知晓和控制，因此用户必须对3M产品进行评估，以确定其是否适合特殊用途或适合用户的应用方法。

保修和有限赔偿：在正常操作条件下，自购买之日起(1)年内，3M就本工具出现的材料及工艺缺陷提供保修。3M不做任何其它明示或暗示的保证，包括但不限于对特殊用途的适用性或适用性的暗示保证，或因销售、定制或交易使用而引起的任何暗示保证。用户有责任确定3M工具是否适合其特殊用途以及是否适合用户的应用。用户必须按照适用的操作说明、安全注意事项以及操作手册中所述的其它程序对工具进行操作，方能享受保修服务。对因正常磨损、维护不足或不当、清洁不足、无润滑、操作环境不正确、公共设施不正确、操作员失误或误用、改装或修改、操作不当、缺乏合理保养或因意外原因所造成的工具或部件失效，3M没有进行维修或更换的义务。如果所述工具或任何部件在保修期内出现故障，您的唯一补偿以及3M的唯一义务是按照3M的选择对工具进行维修或更

换，或者退还购买价格。责任限制：除法律禁止的情形以外，对于3M产品所引发的任何损失或伤害，不论是直接、间接、特殊、偶发还是必然导致，不管所坚持的是何种法律理论，包括保修、合同、疏忽或严格赔偿责任，3M及销售商概不承担责任。据。自购买之日起一年内填写保修申请时需要提交该销售收据。保修期过后的产品维修3M对于保修期以外的产品不提供维修服务。提交保修申请：在提交保修申请时，请根据下列规定联系你的经销商。请注意：所有保修申请都须经制造商核准。务必将你的销售收据保存在安全的地方。从购买之日起一年之内，在提出保修申请时，必须提交销售收据。欲获得更多帮助，请打电话001-800-362-3550。在保修已过期之后的产品维修：对于不在保用期内的3M研磨工具，其维修可透过3M或3M授权的工具维修代表进行。“欲知详情，请联系你的3M电动研磨工具经销商或打电话001-800-362-3550。



EC符合性声明

制造商名称： 3M, 磨料系统部
制造商地址： 3M Center, Building 223-6N-02
 St Paul, MN USA 55144

谨此声明： 描述于下的机械都遵守现行机械指令2006/42/EC的那些基本卫生和安全要求；这同遵守所有的最新修订。

描述： 3M直列砂轮机，1/8-3/4英寸 x 18-24英寸(3-19毫米 x 457-610毫米) 22,000 RPM, 4990呎/分(表面积每分钟)(1521米/分·表面米每分钟); 包装，工具单独或以“成套工具”形式与辅助部件

型号： 28366 (单独工具), 28376 (成套工具)

已经全部或部分地参考或遵守下列各项标准为相关：

- EN ISO 12100-1:2003 A1:2009 安全机械。设计的基本概念、总原则 -
- EN ISO 12100-2:2003 A1:2009 基本术语和技术原则
- EN 792-8:2001 A1:2008 手持非电动工具 - 安全要求 - 第8部分：砂光机和抛光机
- EN 983:1996 A1:2008 安全机械。液压驱动系统和组件 - 气动装置的安全要求
- EN ISO 14121-1:2007 安全机械。风险评估原则
- EN ISO 28662-1:1992 手持便携式动力工具 - 手柄振动测定 - 第1部分：总则
- IEC EN 60745-1:2006* 手持式电机驱动的电动工具。安全。一般要求
- IEC EN 60745-2-4:2003 手持式电机驱动的电动工具。安全。非碟型砂光机和磨光机的特殊要求 A1:2007*
- EN ISO 15744:2008 手持非电动工具。噪声测定规范。工程方法(2级)

*仅适用于振动测试; 减小进给力 - 请查阅产品质量

负责人全名：
 Stefan A. Babirad **职位：** 技术总监

签名： **日期：**

团体遵守技术文件内部负责人的全名和地址：
 Claus Geiger先生 - 磨料系统部营销业务, 3M德国公司, Carl-Schurz-Strasse 1, D-41453 Neuss, 德国

3M
 Abrasive Systems Division
 3M Center
 St. Paul, MN 55144-1000
www.3M.com/abrasives

© 3M 2014.
 3M是3M公司商标。