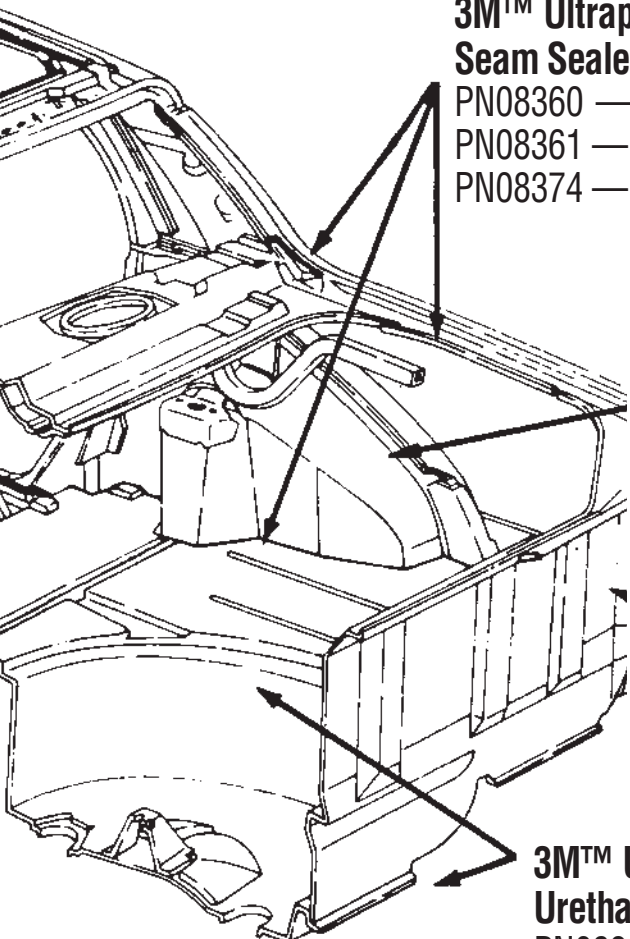


**3M™ Ultrapro™
Urethane Seam
Sealer**
PN08360 — White
PN08361 — Gray

**3M™ Ultrapro™
MSP Seam Sealer**
PN08369 — White
PN08370 — Gray
PN08375 — Black

**3M™ Ultrapro™
MSP Sprayable
Seam Sealer**
PN08374 — Gray
PN08364 — Black

3M™ Heavy Drip-Chek™ Sealer
PN08531



**3M™ Ultrapro™ Urethane
Seam Sealer**
PN08360 — White
PN08361 — Gray
PN08374 — Sprayable
Seam Sealer

**3M™ Automix™
Flexible Foam**
PN08463

(Taillight Extensions)
**3M™ Heavy
Drip-Chek™
Sealer**
PN08531

**3M™ Ultrapro™
Urethane Seam Sealer**
PN08360 — White
PN08361 — Gray

**3M™ Ultrapro™ MSP
Sprayable Seam Sealer**
PN08374 — Gray
PN08364 — Black

Basic Seam Sealers

- 3M™ Ultrapro™ MSP Seam Sealer**
(PN08369 — White)
(PN08370 — Gray)
(PN08375 — Black)
 - provides a fast method of seam sealing
 - non-shrinking, non-cracking
 - fast curing
 - tack-free = 30 minutes
 - immediately paintable for up to 72 hours
- 3M™ Ultrapro™ Urethane Seam Sealer**
(PN08360 — White 6/case)
(PN08361 — Gray 6/case)
 - easy to tool
 - stays flexible
 - paintable in 30 minutes
 - non-shrinking
 - can be baked immediately after painting
 - can be used in hood flutter and door intrusion beam repairs
 - Ford Aerostar™ and Explorer™ roof ditch repairs
 - duplicates OEM sealers
 - fills large voids without cracking
 - can be brushed
 Use with **3M™ Flexible Package Applicator Gun**
(PN08398 1/case)
- 3M™ Ultrapro™ Autobody Sealant (cartridge)**
(PN08300 — Tan 12/case)
 - fast skin over
 - easy to tool
 - stays flexible
 - paintable in 30 minutes
 Also available in: 5 oz. tube PN08301 — Tan (6/case)
5 oz. tube PN08302 — Clear (6/case)
Use with **3M™ Heavy-Duty Caulk Gun** (PN08995 1/case)
- 3M™ Heavy Drip-Chek™ Sealer (5 oz. tube)**
(PN08531 — Gray 6/case)
 - designed to seal but not fill
 - controlled shrinkage
 - retains original look on OEM seams
 - resists oil and gas
 - paintable in 30 minutes
- 3M™ Strip-Calk (box of 60 — 1 ft. strips)**
(PN08578 — Black 12 boxes/case)
 - easy application
 - stays soft and flexible
 - fills large voids and holes
 - no waste or cleanup

Specialty Seam Sealers

- Sprayable Seam Sealer — **3M™ Ultrapro™ MSP Sprayable Seam Sealer Cartridge** (PN08374 — Gray 6/case, PN08364 — Black 6/case) — Use with **Sprayable Seam Sealer Applicator Gun** (PN08400 1/case)
- Fast Skinning — **3M™ Ultrapro™ Autobody Sealant Cartridge** (PN08300 — Tan 12/case)
5 oz. Tube (PN08301 — Tan 6/case)
- 3M™ Fast 'n Firm™ Seam Sealer Cartridge** (PN08505 — Beige 12/case)
- Latex/Water-Based — **3M™ All-Around Autobody Sealant Cartridge** (PN08500 — White 12/case)
- Clear/Thin Bodied — **3M™ Clear Auto Sealer**
5 oz. Tube (PN08551 — Clear 6/case)
- Clear/Heavy Bodied — **3M™ Flexiclear™ Body Seam Sealer Cartridge** (PN08405 — Clear 12/case)
3M™ Ultrapro™ Autobody Sealant
5 oz. Tube (PN08302 — Clear 6/case)
- Expandable Foam — **3M™ Automix™ Pillar Foam** (PN08458)
Use with **3M™ Automix™ Flexible Foam** (PN08463)
Use with **MixPac® Applicator Gun** (PN08117)

Applicator Guns and Accessories

MixPac® Applicator Gun

- For use with 3M™ Panel Bonding Adhesive (PN08115).
- Easy-to-use dispensing gun.
- Can dispense 2-1 or 1-1 MixPac® cartridges without plunger replacement.
- Easily dispenses urethanes and epoxies in 200 ml cartridges.
- Heavy-duty metal construction.
- To order PN09930, call Shopware at 1-800-877-9344.



Part Number	Description	Quantity Per Case
051135-08117	Manual Applicator Gun	1
051131-09930	Pneumatic Applicator Gun (Not stocked as a 3M item.)	1

MixPac® is a registered trademark of MixPac® Systems AG, Switzerland.

3M™ Automix™ Heavy Duty Applicator Gun

- Designed for use with all 3M™ Automix™ 2 oz. products.



Part Number	Quantity Per Case
051135-08191	1

3M™ Automix™ Mixing Nozzle 3/8"

- Designed for use with 3M™ Big Shot™ Applicator Gun (PN08198) and MixPac® Applicator Gun (PN08117).



Part Number	Quantity Per Bag	Bags Per Case
051131-08193	6	6

MixPac® is a registered trademark of MixPac® Systems AG, Switzerland.

3M™ Flex Pack Heavy Duty Applicator Gun

- A fully enclosed, all metal, rod driven, friction feed applicator gun.
- For use with 3M™ Windshield Urethanes.



Part Number	Container Size	Quantity Per Case
051135-08991	450ml	1

3M™ EPX Mixing Nozzle

- For use with all 3M™ Automix™ 2 oz. Cartridge products.



Part Number	Nozzles Per Bag	Bags Per Case
021200-21791	12	6

3M™ Flexible Package Applicator Gun

- A fully enclosed, all metal, rod driven, friction feed applicator gun for use with all 310ml or smaller foil flexible packages.



Part Number	Quantity Per Case
051135-08398	1

3M™ Air-Operated Flexible Package Applicator Gun

- Can be used with all 3M™ Flexible Package Seam Sealer offerings.
- Allows the end user to obtain a better reproduction of O.E.M. seams that are found in today's automobiles.
- Quick, easy and user friendly.
- To order, call Shopware at 1-800-877-9344.
- Not stocked as a 3M item.



Part Number	Quantity Per Case
051135-08399	1

Sprayable Seam Sealer Applicator Gun

- For use with 3M™ Ultrapro™ MSP Sprayable Seam Sealer (PNs 08364 and 08374).
- To order, call Shopware at 1-800-877-9344.
- Not stocked as a 3M item.



Part Number	Quantity Per Case
051135-08400	1