

PLUS®
HIGH EFFICIENCY GRAVITY FEED GUN



Includes:

- 1.2mm, 1.3mm, and 1.4mm fluid tips
- 900cc aluminum cup with push-on lid
- HAV-511 high output air adjusting valve with gauge
- Fluid filter, gun hook



Order No.	Model No.	Type	Fluid Tip (mm)	Inlet Pressure	Application
110264	GFG-670	HE	1.2, 1.3	25–35 PSI	Basecoats
				30–40 PSI	High solids clearcoats
			1.4	30–40 PSI	Single stages
				30–40 PSI	Low solids clearcoats
				30–40 PSI	Single stages

PLUS® Gravity Feed High Efficiency Air Cap

#410 air cap	Primers, basecoats, clearcoats, single stage and low VOC	Air Cap Order No. 192174 Air Cap Model No. AV-440-410 30–40 PSI Inlet 9–11 CFM	Air Cap Pattern 12½"
Fluid tips	1.0mm, 1.2mm, 1.3mm, 1.4mm (Included tip sizes shown in bold)		



Refer to Service Bulletin: SB-2-194

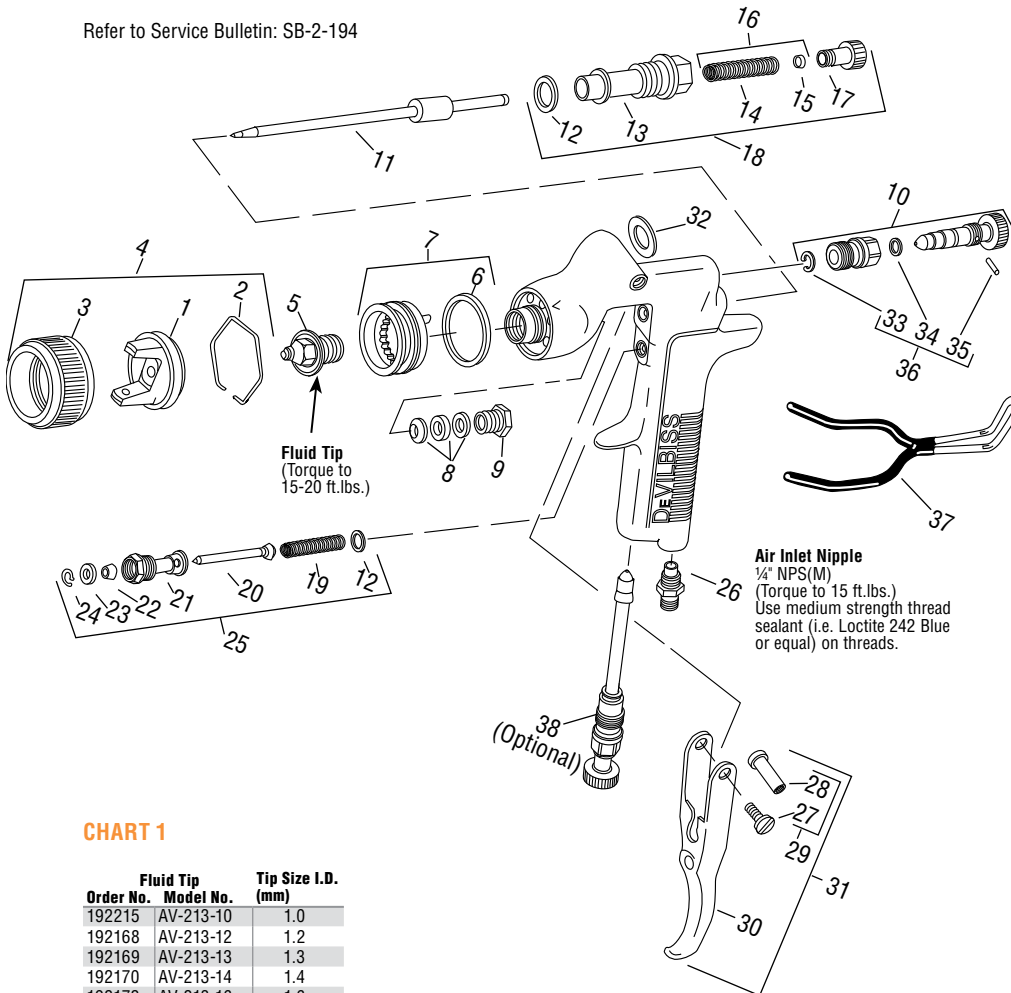


CHART 1

Fluid Tip Order No.	Model No.	Tip Size I.D. (mm)
192215	AV-213-10	1.0
192168	AV-213-12	1.2
192169	AV-213-13	1.3
192170	AV-213-14	1.4
192172	AV-213-16	1.6
192173	AV-213-18	1.8

Ref. No.	Order No.	Model No.	Description	Ind. Parts Req.
1	—	—	#410 Air Cap	1
2	191972	JGA-156-K10	Spring Clip (Kit of 10)	1
3	192042	GTI-3	Air Cap Retaining Ring	1
4	192174	AV-440-410	#410 Air Cap and Retaining Ring	1
5	See Chart 1	See Chart 1	Fluid Tip	1
•6	192179	GTI-33-K5	Baffle Seal (Kit of 5)	1
7	192178	GTI-425	Baffle Assembly	1
•8	192109	JGA-4035-K5	Packing (Kit of 5)	1
9	190893	34411-122-K10	Packing Nut	1
10	192050	GTI-404	Spreader Valve	1
11	192054	GTI-413	Fluid Needle	1
•12	190161	JGS-72-K10	Gasket Kit (PTFE) (Kit of 10)	2
13	—	—	Body Bushing	1
•14	—	—	Fluid Needle Spring	1
•15	—	—	Spring Pad	1
16	190894	MBD-19-K10	Spring and Pad (Kit of 10)	1
17	192043	GTI-414	Needle Adjusting Screw	1
18	192139	KK-5059	Bushing, Spring, Pad and Knob Kit	1
•19	—	—	Air Valve Spring	1
•20	—	—	Air Valve	1
21	—	—	Air Valve Body	1
•22	—	—	U Cup Seal	1
•23	—	—	Washer	1
•24	—	—	Snap Ring	1
25	190780	JGS-449-1	Air Valve Assembly	1
26	190287	P-MB-51	Air Inlet Nipple 1/4" NPS(M)	1
27	—	—	Trigger Stud Screw	1
28	—	—	Trigger Stud	1
29	190889	JGS-478	Stud and Screw Kit	1
30	—	—	Trigger	1
31	191943	JGS-477-1	Trigger Stud, Screw Kit	1
•32	192151	KGP-13-K5	Cup Gasket (Kit of 5)	1
•33	—	—	Retaining Clip	1
•34	—	—	Seal	1
•35	—	—	Pin	1
36	192229	GTI-428-K5	Clip, Seal & Pin Kit (5 Each)	1
37	192219	—	Gun Holder, Coated	1
38	192228	GTI-415	Air Adjusting Valve (Optional)	1

The 192227 Spray Gun Repair Kit contains all the parts indicated with a •

GTi® Millennium HVLV GRAVITY FEED GUN/CUP



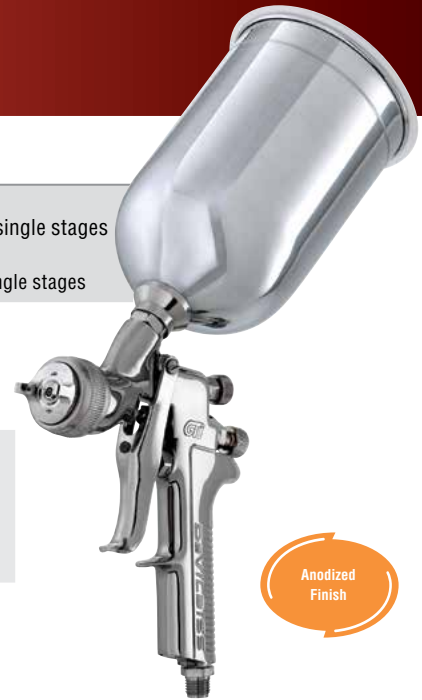
Includes:

- 1.3mm, 1.4mm, and 1.5mm fluid tips
- 900cc aluminum cup with push-on lid
- HAV-511 high output air adjusting valve with gauge
- Fluid filter, gun hook

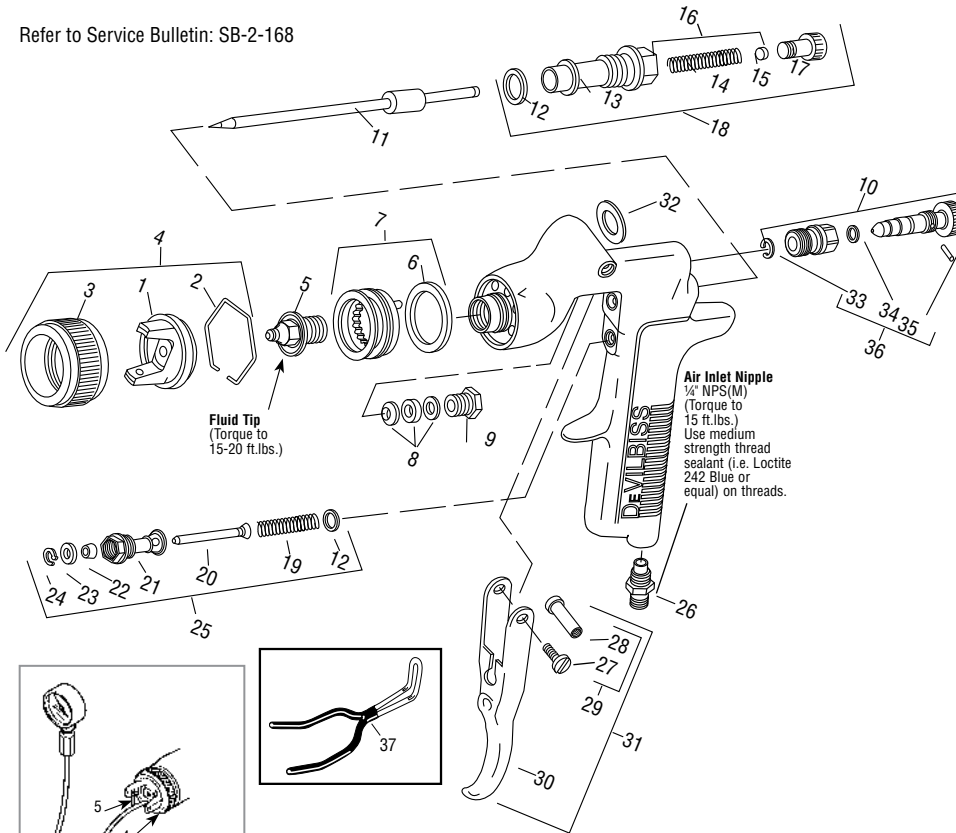
Order No.	Model No.	Type	Fluid Tip (mm)	Inlet Pressure	Application
170156	GTI-620G	HVLV	1.3, 1.4	20–25 PSI	Basecoats
				25–30 PSI	High solids clearcoats, single stages
			1.5	20–25 PSI	Basecoats
				25–30 PSI	Low solids clearcoats, single stages

GTi® Millennium Gravity Feed HVLV Air Cap

#2000 air cap HVLV	Basecoats, clearcoats, primers, single stage, and low VOC	Air Cap Order No. 192136 Air Cap Model No. GTI-407-2000 20–30 PSI inlet 12.5-16.0 CFM	Air Cap Pattern 12"
Fluid tips	1.2mm, 1.3mm , 1.4mm , 1.5mm , 1.6mm, 1.8mm, 2.0mm, 2.2mm (Included tip sizes shown in bold)		



Refer to Service Bulletin: SB-2-168



Air Inlet Nipple
1/4" NPS(M)
(Torque to 15 ft.lbs.)
Use medium strength thread sealant (i.e. Loctite 242 Blue or equal) on threads.

Fluid Tip
(Torque to 15-20 ft.lbs.)

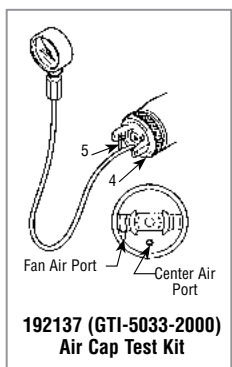


CHART 1

Order No.	Fluid Tip Model No.	Tip Size I.D. (mm)
192124	GTI-213-12	1.2
192134	GTI-213-13	1.3
192044	GTI-213-14	1.4
192135	GTI-213-15	1.5
192045	GTI-213-16	1.6
192046	GTI-213-18	1.8
192047	GTI-213-20	2.0
192132	GTI-213-22	2.2

Ref. No.	Order No.	Model No.	Description	Ind. Parts Req.
1	—	—	Air Cap	1
2	191972	JGA-156-K10	Spring Clip (Kit of 10)	1
3	192042	GTI-3	Air Cap Retaining Ring	1
4	192136	GTI-407-2000	Air Cap (#2000) and Retaining Ring	1
5	See Chart 1	See Chart 1	Fluid Tip	1
•6	192179	GTI-33-K5	Baffle Seal (Kit of 5)	1
7	192178	GTI-425	Baffle Assembly	1
•8	192109	JGA-4035-K5	Packing (Kit of 5)	1
9	190893	34411-122-K10	Packing Nut	1
10	192050	GTI-404	Spreader Valve	1
11	192054	GTI-413	Fluid Needle	1
•12	190161	JGS-72-K10	Gasket Kit (PTFE) (Kit of 10)	2
13	—	—	Body Bushing	1
•14	—	—	Fluid Needle Spring	1
•15	—	—	Spring Pad	1
16	190894	MBD-19-K10	Spring and Pad (Kit of 10)	1
17	192043	GTI-414	Needle Adjusting Screw	1
18	192139	KK-5059	Bushing, Spring, Pad and Knob Kit	1
•19	—	—	Air Valve Spring	1
•20	—	—	Air Valve	1
21	—	—	Air Valve Body	1
•22	—	—	U Cup Seal	1
•23	—	—	Washer	1
•24	—	—	Snap Ring	1
25	190780	JGS-449-1	Air Valve Assembly	1
26	190287	P-MB-51	Air Inlet Nipple 1/4" NPS(M)	1
27	—	—	Trigger Stud Screw	1
28	—	—	Trigger Stud	1
29	190889	JGS-478	Stud and Screw Kit	1
30	—	—	Trigger	1
31	191943	JGS-477-1	Trigger Stud, Screw Kit	1
•32	192151	KGP-13-K5	Cup Gasket (Kit of 5) Blue	1
•33	—	—	Retaining Clip	1
•34	—	—	Seal	1
•35	—	—	Pin	1
36	192229	GTI-428-K5	Clip, Seal & Pin Kit (5 Each)	1
37	192219	—	Gun Holder, Coated	1
38	192140	KK-5060	Air Cap Cleaning Kit	1

• A quantity of necessary parts is included in 192227 Repair Kit (KK-5058-2) for complete gun repair and should be kept on hand for service convenience.

Suffixes: -K5 designates kit of multiple parts. Example: JGA-4035-K5 is a kit of 5 packings.

FLG4 GRAVITY FEED GUNS



HVLP Solvent-based Value Kit Includes:

- 1.3mm, 1.5mm & 1.8mm fluid tips
- 900cc aluminum cup, air adjusting valve with gauge

HVLP Waterborne Value Kit Includes:

- 1.3mm, 1.5mm & 1.8mm fluid tips
- 20 oz. Acetal cup, air adjusting valve with gauge

HVLP Gun Value Kit Includes:

- 1.8mm & 2.2mm fluid tips
- 900cc aluminum cup

Waterborne compatible when using a plastic or disposable cup system.



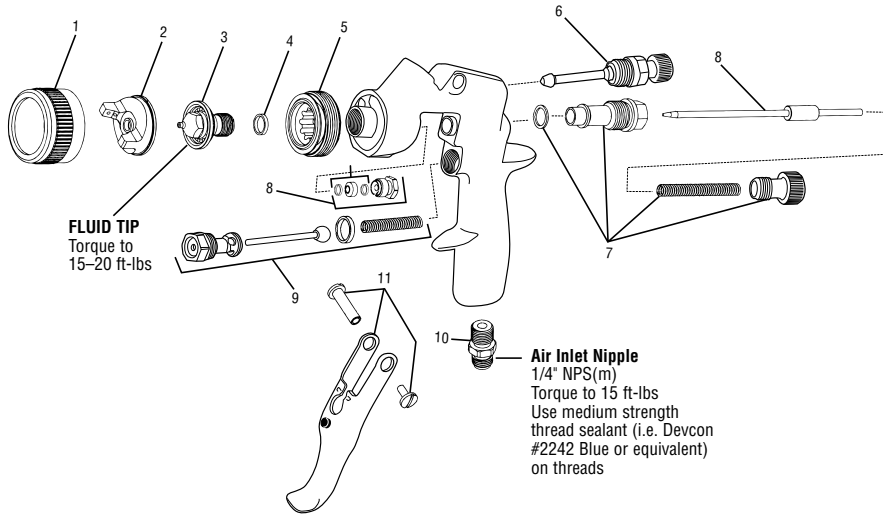
Order No.	Model No.	Fluid Tip	Air Cap	Cup	Application
803558	FLG-670	1.3, 1.5, 1.8	HVLP #3	900cc Aluminum	Top coats, light primers
803559	FLG-671	1.3, 1.5, 1.8	HVLP #3	20 oz. Acetal	Waterborne top coats, light primers, primers
803560	FLG-678	1.8, 2.2	HVLP #3	900cc Aluminum	Primers, liquid masking, chip guards, other specialty materials

FinishLine® Gravity Feed Air Caps

#3 air cap (HVLP)	Primers, basecoats, clearcoats, single stage and low VOC Air Cap Order No. 690001 Air Cap Model No. FLG-1-3 13 CFM @ 23 PSI inlet	Air Cap Pattern 10½"
Fluid Tips	1.3mm, 1.5mm, 1.8mm, 2.2mm	



Refer to Service Bulletin: SB-2-775

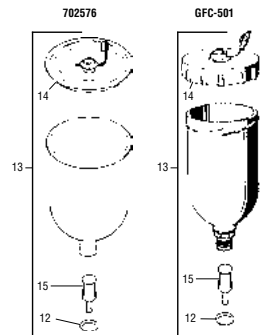
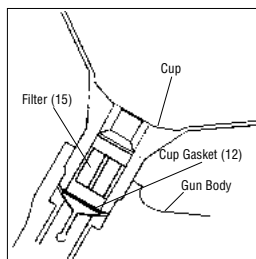


Ref. No.	Order No.	Model No.	Description	Ind. Parts Req.
1	690017	FLG-333	Retaining Ring	1
2	See Air Caps chart, above		Air Cap	1
3	See Chart 1		Fluid Tip & Seal Kit	1
4	690020	FLG-304-K5	Fluid Tip Seal (Kit of 5)	1
5	690021	FLG-305	Baffle	1
6	803528	FLG-465	Spreader Air Adjustment Valve	1
7	803525	FLG4-364-K	Needle Knob, Spring, Bushing & Gasket Kit	1
8	803526	FLG4-366-K	FLG4 Needle, Needle Packing & Nut Kit	1
9	190780	JGS-449-1	Air Valve & Gasket Kit	1
10	190287	P-MB-51	Air Inlet Nipple	1
11	191943	JGS-477-1	Trigger, Trigger Stud & Screw	1
12	192151	KGP-13-K5	Cup Gasket Kit (Kit of 5)	1
13	702576	702576	Metal Gravity Feed Cup	1
	190252	GFC-501	Acetal Gravity Feed Cup	1
14	190944	GFC-404-K2	Disposable Lid Kit (Kit of 2)	1
15	190181	KGP-5-K5	Filter Kit (Kit of 5)	1
	803527	FLG4-488-K	FLG4 Gun Repair Kit (Contains 1 each: Fluid Tip Seal, Needle Packing, Trigger Stud, Trigger Screw, and Gasket for Air Valve & Needle Bushing.)	1
	519210	FLG-463	Air Cap #3 HVLP Test Cap	1

CHART 1

Fluid Tip Order No.	Part No.	Tip Size (mm)	Application
803051	FLG-332-13K	1.3	Stains, lacquers, basecoats, clears
803052	FLG-332-15K	1.5	General purpose, light to medium viscosity materials
803053	FLG-332-18K	1.8	Primers, medium viscosity materials
803054	FLG-332-12K	2.2	Heavy materials

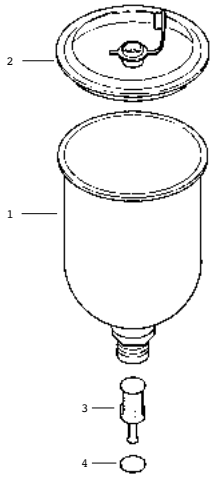
Cup Drawing



Gravity Cups PARTS & ASSEMBLY

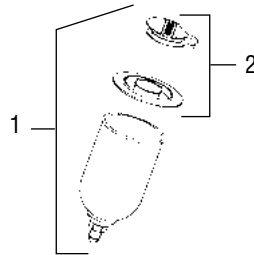
Refer to Service Bulletins: SB-4-261 (GFC-501), TB-1003 (702576)
Refer to Part Sheets: 77-2739 (81-381) and 77-2719 (54-4458)

702576 TEKNA Gravity Feed Cup/Aluminum



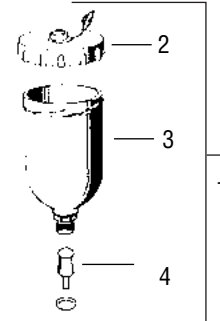
Ref. No.	Replacement Part No.	Description	Ind. Parts Req.
1	702576	Metal Gravity Feed Cup (900cc)	1
2	GFC-404-K2	Disposable Lid Kit (Kit of 2)	1
3	KGP-5-K5	Filter Kit (Kit of 5)	1
4	KGP-13-K5	Cup Gasket (Blue) (Kit of 5)	1

900875 (54-4458) 4 oz. Aluminum Cup



Ref. No.	Order No.	Model No.	Description	Ind. Parts Req.
1	900875	54-4458	Gravity Feed Cup Assembly (4 oz.)	1
2	900902	54-4539	4 oz. Cup Lid Assembly (Kit of 3)	1

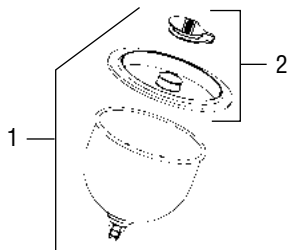
190252 (GFC-501) Gravity Feed Cup/Acetal



Ref. No.	Order No. Model No.	Description	Ind. Parts Req.
1	190252 GFC-501	Cup Assembly, 20 oz. Acetal	1
2	190225 GFC-402	Cup Lid Assembly	1
3	190181 KGP-5-K5	Filter (Kit of 5)	1
4	192151 KGP-13-K5	Cup Gasket (Blue) (Kit of 5)	1

● For GTI, FLG, M1-G, PRI and GFG Plus (Blue)

901430 (81-381) 8 oz. Aluminum Cup



Ref. No.	Order No.	Model No.	Description	Ind. Parts Req.
1	901430	81-381	Gravity Feed Cup Assembly (8 oz.)	1
2	900787	54-4251	Cup Cover Kit (Kit of 3)	1

192191 (SRI-478-K12) 4 oz. Disposable Nylon Cup & Lid Kit

Contains 12 Cups and 12 Lids
(4 ea. Red, Yellow & Green)



803510 (DPC-503-K24) 3 oz. Plastic Cups and Lids Kit of 24

