

PLUS® HIGH EFFICIENCY GRAVITY FEED GUN

PLUS®

Includes:

- 1.2mm, 1.3mm, and 1.4mm fluid tips
- 900cc aluminum cup with push-on lid
- HAV-511 high output air adjusting valve with gauge
- Fluid filter, gun hook

| Order No. | Model No. | Type | Fluid Tip (mm) | Inlet Pressure | Application |
|-----------|-----------|------|----------------|----------------|------------------------|
| 110264 | GFG-670 | HE | 1.2, 1.3 | 25–35 PSI | Basecoats |
| | | | | 30–40 PSI | High solids clearcoats |
| | | | 1.4 | 30–40 PSI | Single stages |
| | | | | 30–40 PSI | Low solids clearcoats |
| | | | 30–40 PSI | Single stages | |

PLUS® Gravity Feed High Efficiency Air Cap

| | | | |
|--------------|---|--|-------------------------|
| #410 air cap | Primers, basecoats, clearcoats, single stage and low VOC | Air Cap Order No. 192174 Air Cap Model No. AV-440-410 30–40 PSI Inlet 9–11 CFM | Air Cap Pattern 12½" |
| Fluid tips | 1.0mm, 1.2mm, 1.3mm, 1.4mm (Included tip sizes shown in bold) | | |



EPA Compliant.
Approved in most
HVLPA areas.

Refer to Service Bulletin: SB-2-194

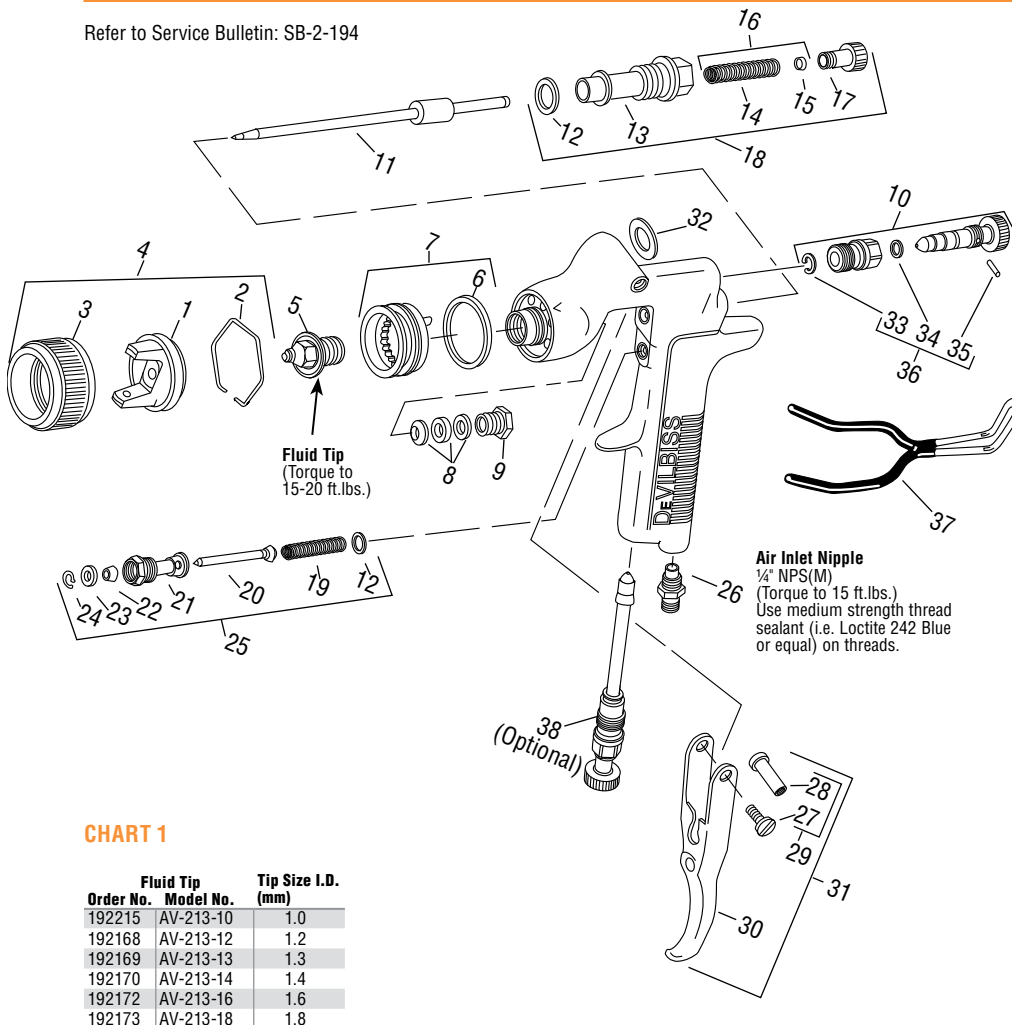


CHART 1

| Fluid Tip Order No. | Model No. | Tip Size I.D. (mm) |
|---------------------|-----------|--------------------|
| 192215 | AV-213-10 | 1.0 |
| 192168 | AV-213-12 | 1.2 |
| 192169 | AV-213-13 | 1.3 |
| 192170 | AV-213-14 | 1.4 |
| 192172 | AV-213-16 | 1.6 |
| 192173 | AV-213-18 | 1.8 |

| Ref. No. | Order No. | Model No. | Description | Ind. Parts Req. |
|----------|-------------|---------------|-----------------------------------|-----------------|
| 1 | — | — | #410 Air Cap | 1 |
| 2 | 191972 | JGA-156-K10 | Spring Clip (Kit of 10) | 1 |
| 3 | 192042 | GTI-3 | Air Cap Retaining Ring | 1 |
| 4 | 192174 | AV-440-410 | #410 Air Cap and Retaining Ring | 1 |
| 5 | See Chart 1 | See Chart 1 | Fluid Tip | 1 |
| •6 | 192179 | GTI-33-K5 | Baffle Seal (Kit of 5) | 1 |
| 7 | 192178 | GTI-425 | Baffle Assembly | 1 |
| •8 | 192109 | JGA-4035-K5 | Packing (Kit of 5) | 1 |
| 9 | 190893 | 34411-122-K10 | Packing Nut | 1 |
| 10 | 192050 | GTI-404 | Spreader Valve | 1 |
| 11 | 192054 | GTI-413 | Fluid Needle | 1 |
| •12 | 190161 | JGS-72-K10 | Gasket Kit (PTFE) (Kit of 10) | 2 |
| 13 | — | — | Body Bushing | 1 |
| •14 | — | — | Fluid Needle Spring | 1 |
| •15 | — | — | Spring Pad | 1 |
| 16 | 190894 | MBD-19-K10 | Spring and Pad (Kit of 10) | 1 |
| 17 | 192043 | GTI-414 | Needle Adjusting Screw | 1 |
| 18 | 192139 | KK-5059 | Bushing, Spring, Pad and Knob Kit | 1 |
| •19 | — | — | Air Valve Spring | 1 |
| •20 | — | — | Air Valve | 1 |
| 21 | — | — | Air Valve Body | 1 |
| •22 | — | — | U Cup Seal | 1 |
| •23 | — | — | Washer | 1 |
| •24 | — | — | Snap Ring | 1 |
| 25 | 190780 | JGS-449-1 | Air Valve Assembly | 1 |
| 26 | 190287 | P-MB-51 | Air Inlet Nipple 1/4" NPS(M) | 1 |
| 27 | — | — | Trigger Stud Screw | 1 |
| 28 | — | — | Trigger Stud | 1 |
| 29 | 190889 | JGS-478 | Stud and Screw Kit | 1 |
| 30 | — | — | Trigger | 1 |
| 31 | 191943 | JGS-477-1 | Trigger Stud, Screw Kit | 1 |
| •32 | 192151 | KGP-13-K5 | Cup Gasket (Kit of 5) | 1 |
| •33 | — | — | Retaining Clip | 1 |
| •34 | — | — | Seal | 1 |
| •35 | — | — | Pin | 1 |
| 36 | 192229 | GTI-428-K5 | Clip, Seal & Pin Kit (5 Each) | 1 |
| 37 | 192219 | — | Gun Holder, Coated | 1 |
| 38 | 192228 | GTI-415 | Air Adjusting Valve (Optional) | 1 |

The 192227 Spray Gun Repair Kit contains all the parts indicated with a •

GTi® Millennium HVLP GRAVITY FEED GUN/CUP



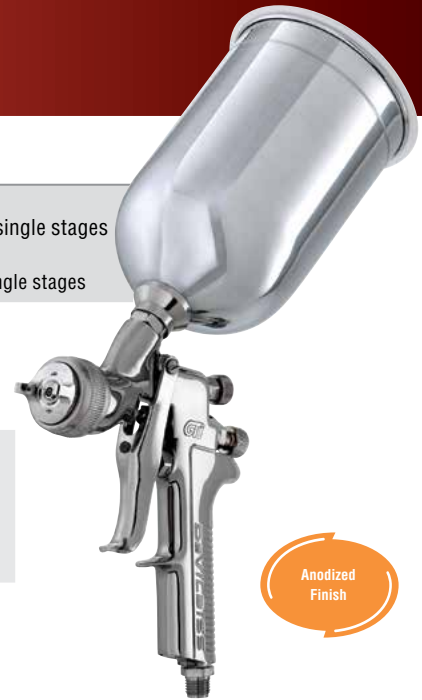
Includes:

- 1.3mm, 1.4mm, and 1.5mm fluid tips
- 900cc aluminum cup with push-on lid
- HAV-511 high output air adjusting valve with gauge
- Fluid filter, gun hook

| Order No. | Model No. | Type | Fluid Tip (mm) | Inlet Pressure | Application |
|-----------|-----------|------|----------------|----------------|---------------------------------------|
| 170156 | GTI-620G | HVLP | 1.3, 1.4 | 20–25 PSI | Basecoats |
| | | | | 25–30 PSI | High solids clearcoats, single stages |
| | | | 1.5 | 20–25 PSI | Basecoats |
| | | | | 25–30 PSI | Low solids clearcoats, single stages |

GTi® Millennium Gravity Feed HVLP Air Cap

| | | | | |
|--------------------|---|---|---------------|------------------------|
| #2000 air cap HVLP | Basecoats, clearcoats, primers, single stage, and low VOC | Air Cap Order No. 192136 Air Cap Model No. GTI-407-2000 20–30 PSI inlet | 12.5-16.0 CFM | Air Cap Pattern 12" |
| Fluid tips | 1.2mm, 1.3mm , 1.4mm , 1.5mm , 1.6mm, 1.8mm, 2.0mm, 2.2mm (Included tip sizes shown in bold) | | | |



Anodized Finish

Refer to Service Bulletin: SB-2-168

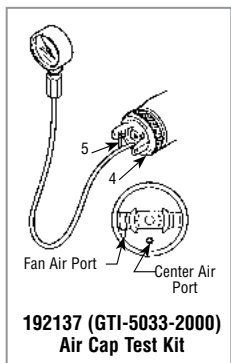
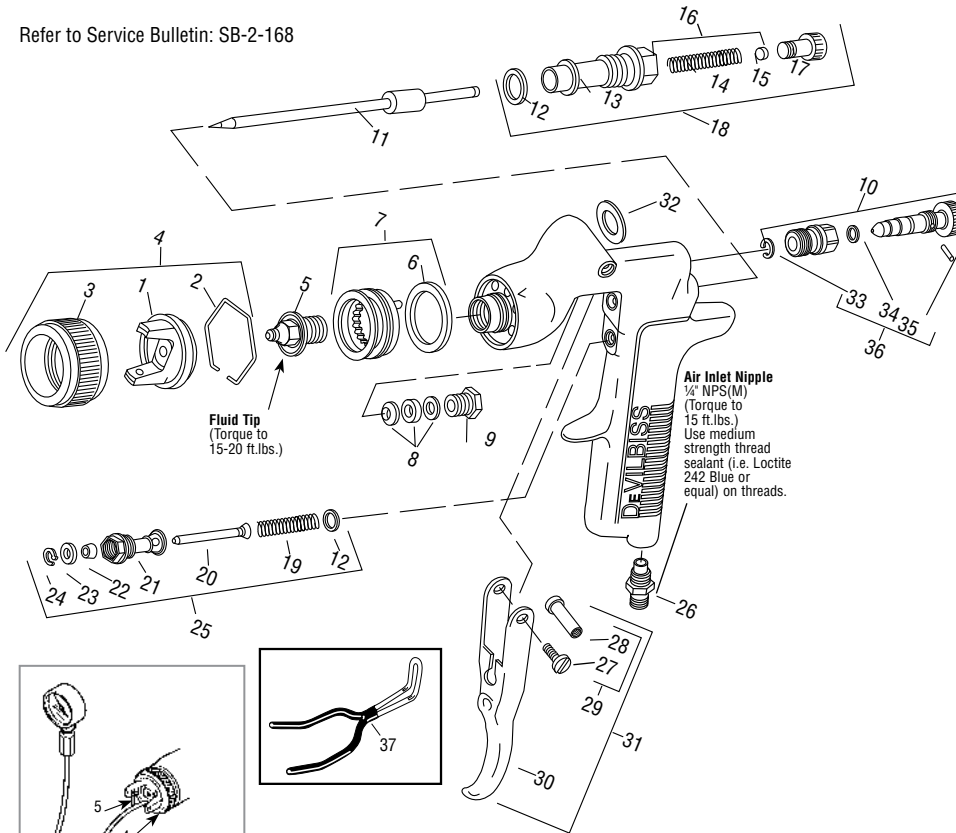


CHART 1

| Order No. | Fluid Tip Model No. | Tip Size I.D. (mm) |
|-----------|---------------------|--------------------|
| 192124 | GTI-213-12 | 1.2 |
| 192134 | GTI-213-13 | 1.3 |
| 192044 | GTI-213-14 | 1.4 |
| 192135 | GTI-213-15 | 1.5 |
| 192045 | GTI-213-16 | 1.6 |
| 192046 | GTI-213-18 | 1.8 |
| 192047 | GTI-213-20 | 2.0 |
| 192132 | GTI-213-22 | 2.2 |

| Ref. No. | Order No. | Model No. | Description | Ind. Parts Req. |
|----------|-------------|---------------|------------------------------------|-----------------|
| 1 | — | — | Air Cap | 1 |
| 2 | 191972 | JGA-156-K10 | Spring Clip (Kit of 10) | 1 |
| 3 | 192042 | GTI-3 | Air Cap Retaining Ring | 1 |
| 4 | 192136 | GTI-407-2000 | Air Cap (#2000) and Retaining Ring | 1 |
| 5 | See Chart 1 | See Chart 1 | Fluid Tip | 1 |
| •6 | 192179 | GTI-33-K5 | Baffle Seal (Kit of 5) | 1 |
| 7 | 192178 | GTI-425 | Baffle Assembly | 1 |
| •8 | 192109 | JGA-4035-K5 | Packing (Kit of 5) | 1 |
| 9 | 190893 | 34411-122-K10 | Packing Nut | 1 |
| 10 | 192050 | GTI-404 | Spreader Valve | 1 |
| 11 | 192054 | GTI-413 | Fluid Needle | 1 |
| •12 | 190161 | JGS-72-K10 | Gasket Kit (PTFE) (Kit of 10) | 2 |
| 13 | — | — | Body Bushing | 1 |
| •14 | — | — | Fluid Needle Spring | 1 |
| •15 | — | — | Spring Pad | 1 |
| 16 | 190894 | MBD-19-K10 | Spring and Pad (Kit of 10) | 1 |
| 17 | 192043 | GTI-414 | Needle Adjusting Screw | 1 |
| 18 | 192139 | KK-5059 | Bushing, Spring, Pad and Knob Kit | 1 |
| •19 | — | — | Air Valve Spring | 1 |
| •20 | — | — | Air Valve | 1 |
| 21 | — | — | Air Valve Body | 1 |
| •22 | — | — | U Cup Seal | 1 |
| •23 | — | — | Washer | 1 |
| •24 | — | — | Snap Ring | 1 |
| 25 | 190780 | JGS-449-1 | Air Valve Assembly | 1 |
| 26 | 190287 | P-MB-51 | Air Inlet Nipple 1/4\"/> | |

• A quantity of necessary parts is included in 192227 Repair Kit (KK-5058-2) for complete gun repair and should be kept on hand for service convenience.

Suffixes: -K5 designates kit of multiple parts. Example: JGA-4035-K5 is a kit of 5 packings.

FLG4 GRAVITY FEED GUNS



HVLP Solvent-based Value Kit Includes:

- 1.3mm, 1.5mm & 1.8mm fluid tips
- 900cc aluminum cup, air adjusting valve with gauge

HVLP Waterborne Value Kit Includes:

- 1.3mm, 1.5mm & 1.8mm fluid tips
- 20 oz. Acetal cup, air adjusting valve with gauge

HVLP Gun Value Kit Includes:

- 1.8mm & 2.2mm fluid tips
- 900cc aluminum cup

Waterborne compatible when using a plastic or disposable cup system.



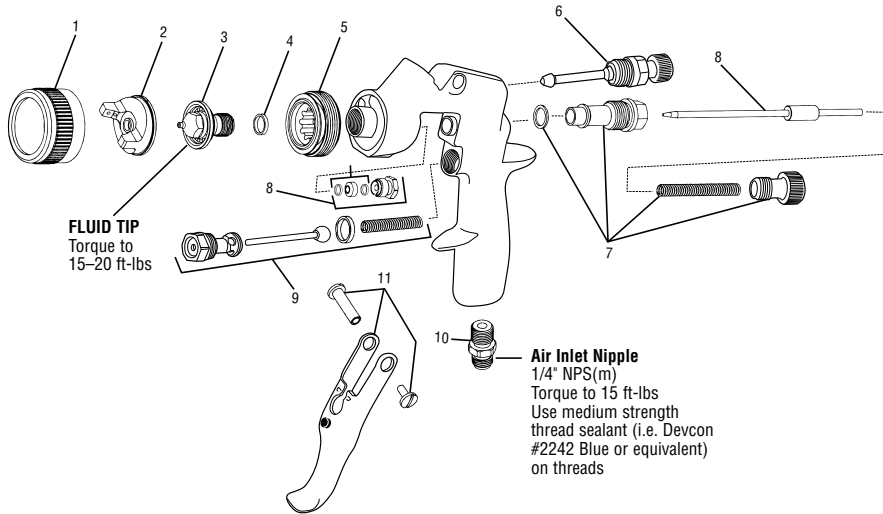
| Order No. | Model No. | Fluid Tip | Air Cap | Cup | Application |
|-----------|-----------|---------------|---------|----------------|---|
| 803558 | FLG-670 | 1.3, 1.5, 1.8 | HVLP #3 | 900cc Aluminum | Top coats, light primers |
| 803559 | FLG-671 | 1.3, 1.5, 1.8 | HVLP #3 | 20 oz. Acetal | Waterborne top coats, light primers, primers |
| 803560 | FLG-678 | 1.8, 2.2 | HVLP #3 | 900cc Aluminum | Primers, liquid masking, chip guards, other specialty materials |

FinishLine® Gravity Feed Air Caps

| | | |
|-------------------|--|-------------------------|
| #3 air cap (HVLP) | Primers, basecoats, clearcoats, single stage and low VOC Air Cap Order No. 690001 Air Cap Model No. FLG-1-3 13 CFM @ 23 PSI inlet | Air Cap Pattern 10½" |
| Fluid Tips | 1.3mm, 1.5mm, 1.8mm, 2.2mm | |



Refer to Service Bulletin: SB-2-775

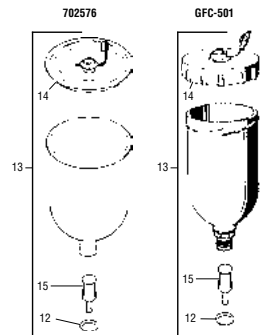
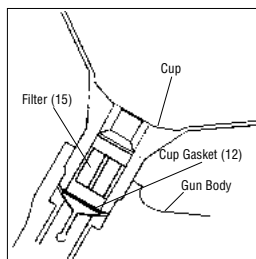


| Ref. No. | Order No. | Model No. | Description | Ind. Parts Req. |
|----------|---------------------------|------------|--|-----------------|
| 1 | 690017 | FLG-333 | Retaining Ring | 1 |
| 2 | See Air Caps chart, above | | Air Cap | 1 |
| 3 | See Chart 1 | | Fluid Tip & Seal Kit | 1 |
| 4 | 690020 | FLG-304-K5 | Fluid Tip Seal (Kit of 5) | 1 |
| 5 | 690021 | FLG-305 | Baffle | 1 |
| 6 | 803528 | FLG-465 | Spreader Air Adjustment Valve | 1 |
| 7 | 803525 | FLG4-364-K | Needle Knob, Spring, Bushing & Gasket Kit | 1 |
| 8 | 803526 | FLG4-366-K | FLG4 Needle, Needle Packing & Nut Kit | 1 |
| 9 | 190780 | JGS-449-1 | Air Valve & Gasket Kit | 1 |
| 10 | 190287 | P-MB-51 | Air Inlet Nipple | 1 |
| 11 | 191943 | JGS-477-1 | Trigger, Trigger Stud & Screw | 1 |
| 12 | 192151 | KGP-13-K5 | Cup Gasket Kit (Kit of 5) | 1 |
| 13 | 702576 | 702576 | Metal Gravity Feed Cup | 1 |
| | 190252 | GFC-501 | Acetal Gravity Feed Cup | 1 |
| 14 | 190944 | GFC-404-K2 | Disposable Lid Kit (Kit of 2) | 1 |
| 15 | 190181 | KGP-5-K5 | Filter Kit (Kit of 5) | 1 |
| | 803527 | FLG4-488-K | FLG4 Gun Repair Kit (Contains 1 each: Fluid Tip Seal, Needle Packing, Trigger Stud, Trigger Screw, and Gasket for Air Valve & Needle Bushing.) | 1 |
| | 519210 | FLG-463 | Air Cap #3 HVLP Test Cap | 1 |

CHART 1

| Fluid Tip Order No. | Part No. | Tip Size (mm) | Application |
|---------------------|-------------|---------------|--|
| 803051 | FLG-332-13K | 1.3 | Stains, lacquers, basecoats, clears |
| 803052 | FLG-332-15K | 1.5 | General purpose, light to medium viscosity materials |
| 803053 | FLG-332-18K | 1.8 | Primers, medium viscosity materials |
| 803054 | FLG-332-12K | 2.2 | Heavy materials |

Cup Drawing



JGA® CONVENTIONAL SUCTION FEED GUN/CUP

- Includes:**
- TGC 1 qt. cup

Proven Technology and Durability

| Order No. | Model No. | Type | Fluid Tip (mm) | Inlet Pressure | Application |
|-----------|-----------|------|----------------|----------------|--|
| 110225 | JGA-644 | CNV. | 1.6 | 35-50 PSI | Base, clear, low VOC, single stages, Urethanes |
| 110102 | JGA-636 | CNV. | 1.8 | 25-45 PSI | Synthetic and acrylic enamels. May need to restrict fluid flow with needle adjustment for base and clearcoats. |

CNV. = CONVENTIONAL

JGA® Conventional Suction Feed Air Caps

| | | | | |
|----------------------|---|--------------------|--|--------------------------------------|
| #9000 air cap | Basecoats, clearcoats, single stages | | | Air Cap Pattern 10" |
| | Air Cap Order No. | 199000 | | |
| | Air Cap Model No. | AV-440-9000 | | |
| | 35-50 PSI inlet | 9-13 CFM | | |
| | Fluid tips | 1.6mm, 1.8mm | | |
| #80 air cap | Synthetic and acrylic enamels | | | Air Cap Pattern 12" |
| | Air Cap Order No. | 190230 | | |
| | Air Cap Model No. | MB-4039-80 | | |
| | 25-45 PSI inlet | 10-14 CFM | | |
| | Fluid tips | 1.8mm | | |



Refer to Technical Bulletin: SB-2-259

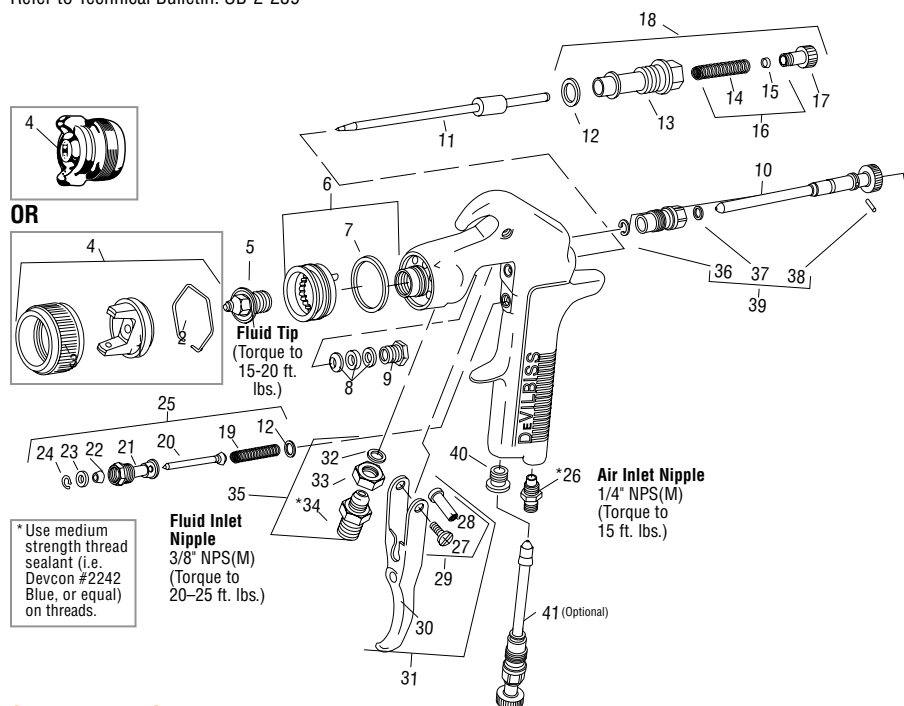


CHART 1 – Air Caps, Fluid Tips, Fluid Needles & Applications

| No. on Air Cap Order No. → | Air Cap With Ring (Ref. No. 4) | Type of Fluid Delivery | Fluid Needle (Ref. No. 11) | Fluid Tips Used (Ref. No. 5) |
|----------------------------|--------------------------------|------------------------|----------------------------|------------------------------|
| 80 | 190230 MB-4039-80 | Suction | 192054 GTI-413 | AV-213-16 OR AV-213-18 |
| 9000 | 199000 AV-440-9000 | Suction OR Pressure | 192054 GTI-413 | AV-213-16 OR AV-213-18 |

CHART 2 – Fluid Tips

| Fluid Tip Order No. | Model No. | Tip Size I.D. (mm) | Type of Fluid Delivery |
|---------------------|-----------|--------------------|------------------------|
| 192172 | AV-213-16 | 1.6 | Suction Feed |
| 192173 | AV-213-18 | 1.8 | Suction Feed |

| Ref. No. | Order No. | Model No. | Description | Ind. Parts Req. |
|----------|-----------|------------------|--|-----------------|
| 1 | — | — | Air Cap | 1 |
| 2 | 191972 | JGA-156-K10 | Spring Clip (Kit of 10) | 1 |
| 3 | 192042 | GTI-3 | Air Cap Retaining Ring | 1 |
| 4 | — | See Chart 1 | Air Cap & Retaining Ring | 1 |
| 5 | — | See Charts 1 & 2 | Fluid Tip | 1 |
| 6 | 192178 | GTI-425 | Baffle Assembly | 1 |
| 7 | 192179 | GTI-33-K5 | Baffle Seal (Kit of 5) | 1 |
| 8 | 192109 | JGA-4035-K5 | Packing (Kit of 5) | 1 |
| 9 | 190893 | 34411-122-K10 | Packing Nut (Kit of 10) | 1 |
| 10 | 192051 | GTI-405 | Spreader Valve Assembly | 1 |
| 11 | — | See Chart 1 | Fluid Needle | 1 |
| 12 | 190161 | JGS-72-K10 | Gasket (PTFE) (Kit of 10) | 2 |
| 13 | — | — | Body Bushing | 1 |
| 14 | — | — | Fluid Needle Spring | 1 |
| 15 | — | — | Spring Pad | 1 |
| 16 | 190894 | MBD-19-K10 | Spring & Pad (Kit of 10) | 1 |
| 17 | 192043 | GTI-414 | Needle Adjusting Screw | 1 |
| 18 | 192139 | KK-5059 | Bushing, Spring, Pad & Knob Kit | 1 |
| 19 | — | — | Air Valve Spring | 1 |
| 20 | — | — | Air Valve | 1 |
| 21 | — | — | Air Valve Body | 1 |
| 22 | — | — | U Cup Seal | 1 |
| 23 | — | — | Washer | 1 |
| 24 | — | — | Snap Ring | 1 |
| 25 | 190780 | JGS-449-1 | Air Valve Assembly | 1 |
| 26 | 190287 | P-MB-51 | Air Inlet Nipple 1/4" NPS(M) | 1 |
| 27 | — | — | Trigger Stud Screw | 1 |
| 28 | — | — | Trigger Stud | 1 |
| 29 | 190889 | JGS-478 | Stud & Screw Kit (includes 3 Studs & 5 Screws) | 1 |
| 30 | — | — | Trigger | 1 |
| 31 | 191943 | JGS-477-1 | Trigger, Stud & Screw Kit | 1 |
| 32 | — | — | Fluid Inlet Gasket (PTFE) | 1 |
| 33 | — | — | Locknut | 1 |
| 34 | — | — | Fluid Inlet Adapter | 1 |
| 35 | 190888 | JGA-4042 | Fluid Inlet, Gasket & Nut Kit | 1 |
| 36 | — | — | Retaining Clip | 1 |
| 37 | — | — | Seal | 1 |
| 38 | — | — | Pin | 1 |
| 39 | 192229 | GTI-428-K5 | Clip, Seal & Pin Kit (5 Each) | 1 |
| 40 | 190828 | JGA-132 | Plug | 1 |
| 41 | 192228 | GTI-415 | Air Adjusting Valve (Optional) | 1 |

* A quantity of necessary parts is included in 192227 Repair Kit (KK-5058-2) for complete gun repair and should be kept on hand for service convenience.

Suffixes: -K5 designates kit of multiple parts. Example: JGA-4035-K5 is a kit of 5 packings.

FinishLine® Pressure Feed



Includes:

- 1.3mm fluid tip
- Air adjusting valve with gauge
- High grade 303 stainless steel components
- Easy to clean anodized finish

Waterborne compatible when using a plastic or disposable cup system.



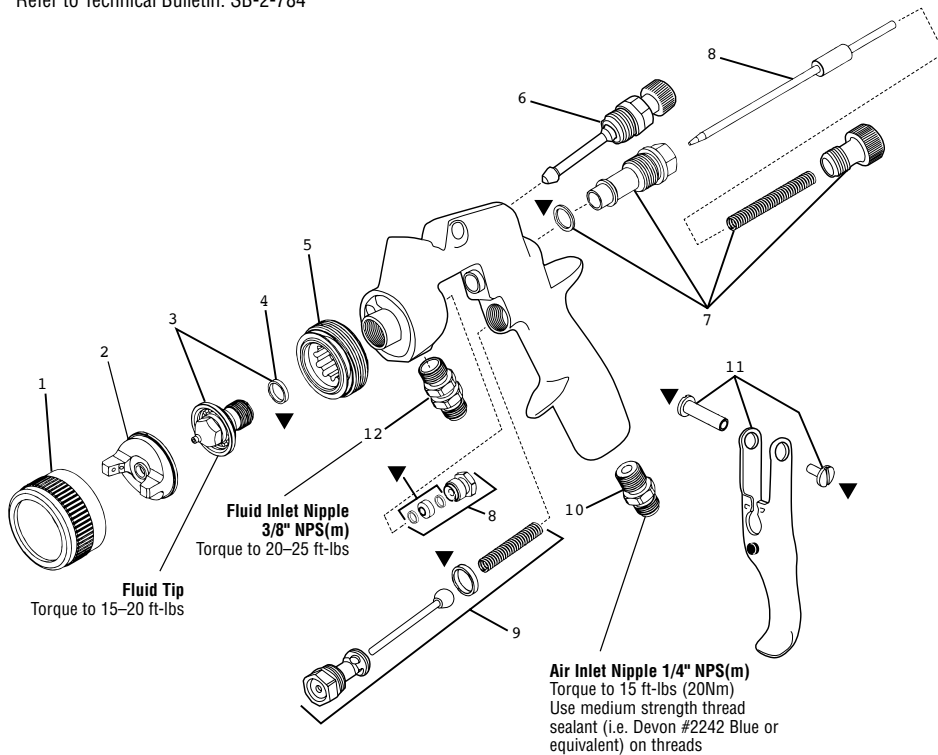
| Order No. | Model No. | Description |
|-----------|------------|---|
| 803692 | FLG-574-13 | FLG4 Pressure Feed Spray Gun (1.3mm) |
| 803736 | FLG-675 | FLG4 Pressure Feed Spray Gun and Pressure Cup Kit. Includes: FLG-574-13 Pressure Feed Gun with HAV-512 Analog Gauge, KB-555 Pressure Cup with five (5) E-Z Liners, KB-4006 Hose Assembly, 1.8mm fluid tip |

FinishLine® Pressure Feed Air Caps

| | | |
|--------------------------|---|--------------------------------|
| #4 air cap (HVLP) | General purpose, light to medium viscosity material, latex or heavy bodied materials Air Cap Order No. 803693 Air Cap Model No. FLG-1-4 17-26 PSI inlet 12-15 CFM | Air Cap Pattern 12½" |
| Fluid Tips | 1.3mm, 1.5mm, 1.8mm, 2.2mm (included tip sizes shown in bold) | |



Refer to Technical Bulletin: SB-2-784



| Ref # | Description | Part # | Qty |
|-------|---|---------|-----|
| 1 | Retaining Ring | 803055 | 1 |
| 2 | Air Cap | 803693 | 1 |
| 3 | Fluid Tip & Seal Kit | Chart 1 | 1 |
| 4 | Fluid Tip Seal (Kit of 5) | 690020 | 1 |
| 5 | Baffle | 690021 | 1 |
| 6 | Spreader Air Adjustment Valve | 803528 | 1 |
| 7 | Needle Knob, Spring, Bushing & Gasket Kit | 803525 | 1 |
| 8 | FLG4 Needle, Needle Packing & Nut Kit | 803526 | 1 |
| 9 | Air Valve & Gasket Kit | 190780 | 1 |
| 10 | Air Inlet Nipple | 190287 | 1 |
| 11 | Trigger, Trigger Stud & Screw | 191943 | 1 |
| 12 | Fluid Inlet & Nut Kit | 191942 | 1 |

FLG-488-K ▼ FLG4 Gun Repair Kit (Contains 1 each: Fluid Tip Seal, Needle Packing, Trigger Stud, Trigger Screw, and Gasket for Air Valve & Needle Bushing.)

**CHART 1
Fluid Tips**

| Fluid Tip Part No. | Order No. | Fluid Tip Size (mm) | Applications |
|--------------------|-----------|---------------------|--|
| FLG-332-13K | 803051 | 1.3 | General purpose, light to medium viscosity material. |
| FLG-332-13K | 803052 | 1.5 | |
| FLG-332-18K | 803053 | 1.8 | Latex or heavy bodied materials. |
| FLG-332-22K | 803054 | 2.2 | |

GTi® Millennium HVLV PRESSURE FEED GUN



HVLV Technology with Large Spray Pattern

- Smooth material and air flow
- Easy to clean
- Produce a high gloss finish and minimize orange peel
- Excellent fluid control for applying more film build with fewer passes

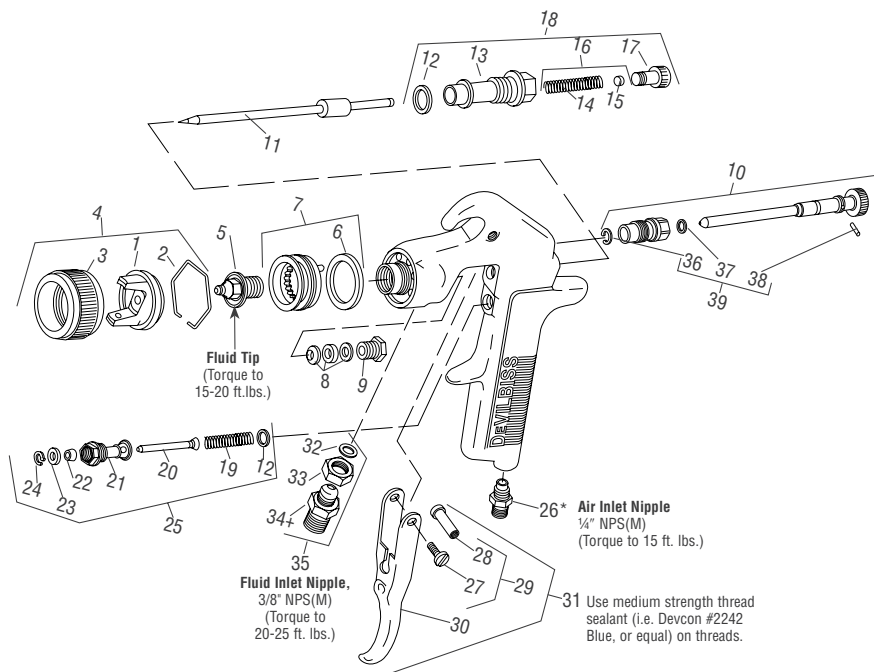
| Order No. | Model No. | Fluid Tip (mm) | Inlet Pressure | Application | Fluid Flow |
|-----------|-------------|----------------|----------------|-------------|---------------|
| 170165 | GTI-546P-14 | 1.4 | 50 PSI | High solids | 9–12 oz./min. |

GTi® Millennium Pressure Feed HVLV Air Caps

| | | |
|-----------------------------|---|--------------------------------------|
| #2000 air cap (HVLV) | Primers, basecoats, clearcoats, and low VOC Air Cap Order No. 192136 Air Cap Model No. GTI-407-2000 20–30 PSI inlet 12.5–16.0 CFM | Air Cap Pattern 11" |
| #46MP air cap (HVLV) | Primers, basecoats, clearcoats, single stages and low VOC Air Cap Order No. 192184 Air Cap Model No. GTI-407-46MP 50 PSI inlet 22.5 CFM | Air Cap Pattern 12" |
| Fluid tips | 1.1mm, 1.4mm | |



Refer to Service Bulletin: SB-2-199



| Ref. No. | Order No. | Model No. | Description | Ind. Parts Req. |
|----------|-------------|---------------|----------------------------------|-----------------|
| 1 | — | — | Air Cap | 1 |
| 2 | 191972 | JGA-156-K10 | Spring Clip (Kit of 10) | 1 |
| 3 | 192042 | GTI-3 | Air Cap Retaining Ring | 1 |
| 4 | See Chart 1 | — | Air Cap and Retaining Ring | 1 |
| 5 | See Chart 2 | — | Fluid Tip | 1 |
| ●6 | 192179 | GTI-33-K5 | Baffle Seal (Kit of 5) | 1 |
| 7 | See Chart 1 | — | Baffle Assembly | 1 |
| ●8 | 192109 | JGA-4035-K5 | Packing (Kit of 5) | 1 |
| 9 | 190893 | 34411-122-K10 | Packing Nut | 1 |
| 10 | 192051 | GTI-405 | Spreader Valve | 1 |
| 11 | See Chart 2 | — | Fluid Needle | 1 |
| ●12 | 190161 | JGS-72-K10 | Gasket Kit (PTFE) (Kit of 10) | 2 |
| 13 | — | — | Body Bushing | 1 |
| ●14 | — | — | Fluid Needle Spring | 1 |
| ●15 | — | — | Spring Pad | 1 |
| 16 | 190894 | MBD-19-K10 | Spring and Pad (Kit of 10) | 1 |
| 17 | 192043 | GTI-414 | Needle Adjusting Screw | 1 |
| 18 | 192139 | KK-5059 | Bushing, Spring, Pad & Knob Kit | 1 |
| ●19 | — | — | Air Valve Spring | 1 |
| ●20 | — | — | Air Valve | 1 |
| 21 | — | — | Air Valve Body | 1 |
| ●22 | — | — | U Cup Seal | 1 |
| ●23 | — | — | Washer | 1 |
| ●24 | — | — | Snap Ring | 1 |
| 25 | 190780 | JGS-449-1 | Air Valve Assembly | 1 |
| +26 | 190287 | P-MB-51 | Air Inlet Nipple 1/4" NPS(M) | 1 |
| 27 | — | — | Trigger Stud Screw | 1 |
| 28 | — | — | Trigger Stud | 1 |
| 29 | 190889 | JGS-478 | Stud and Screw Kit | 1 |
| 30 | — | — | Trigger | 1 |
| 31 | 191943 | JGS-477-1 | Trigger Stud, Screw Kit | 1 |
| ●32 | — | — | Fluid Inlet Gasket (PTFE) | 1 |
| 33 | — | — | Locknut | 1 |
| +34 | — | — | Fluid Inlet Adapter | 1 |
| 35 | 190888 | JGA-4042 | Fluid Inlet, Gasket, Nut Kit | 1 |
| ●36 | — | — | Retaining Clip | 1 |
| ●37 | — | — | Seal | 1 |
| ●38 | — | — | Pin | 1 |
| 39 | 192229 | GTI-428-K5 | Clip, Seal & Pin (Kit of 5 Each) | 1 |

CHART 1: Air Cap and Baffle Combinations

| Air Cap Part No. | Baffle | Set | | CFM@ Cap Pressure | | | | |
|------------------|---------------|--------------------|-------------------------|-------------------|-------|-------|-------|--------|
| | | Ref. No. 4 Air Cap | Ref. No. 7 Baffle Assy. | 2 PSI | 4 PSI | 6 PSI | 8 PSI | 10 PSI |
| 2000 | (Not Stamped) | GTI-407-2000 | GTI-425 | 7.3 | 10.4 | 12.8 | 14.7 | 16.5 |
| 46MP | 46 | GTI-407-46MP | *JGPV-401-46-50 | 8.5 | 13.0 | 16.5 | 19.8 | 22.5 |

NOTE: Baffle Seal NOT used with GTI-546P gun (46MP air cap).

CHART 2: Fluid Tip and Needle

| If this no. is on needle, order → | If this no. is on tip, order → | Order Matched Fluid Tip and Needle Assembly | Tip Size I.D. (mm) |
|-----------------------------------|--------------------------------|---|--------------------|
| JGA-402-FF | AV-2120-FF | JGA-4045-FF | 1.4 |
| JGA-402-FX | AV-2120-FX | JGA-4045-FX | 1.1 |

● 192227 (KK-5058-2) Gun Repair Kit includes a quantity of necessary parts.

Suffixes: -K5 designates kit of multiple parts. Example: JGA-4035-K5 is a kit of 5 packings.

PLUS®
HIGH EFFICIENCY PRESSURE FEED GUN



Anodized Finish

| Order No. | Model No. | Air Cap | Fluid Tip (mm) | Inlet Pressure | Application | Fluid Flow |
|-----------|--------------|-----------|----------------|----------------|-------------|---------------|
| 110272 | PLUS-514P-12 | #414 (HE) | 1.2 | 60-65 PSI | High solids | 7-14 oz./min. |

PLUS® Pressure Feed High Efficiency Air Caps

| | | | |
|--------------------------|----------------------------|------------|-------------------------------|
| #414 air cap (HE) | High solids | | Air Cap Pattern 11-14" |
| | Air Cap Order No. | 192312 | |
| | Air Cap Model No. | AV-440-414 | |
| | 60-65 PSI inlet | 19-22 CFM | |
| | Fluid tip 1.2mm | | |
| Fluid Tips | 1.0mm, 1.2mm, 1.3mm, 1.4mm | | |

Refer to Service Bulletin: SB-2-475

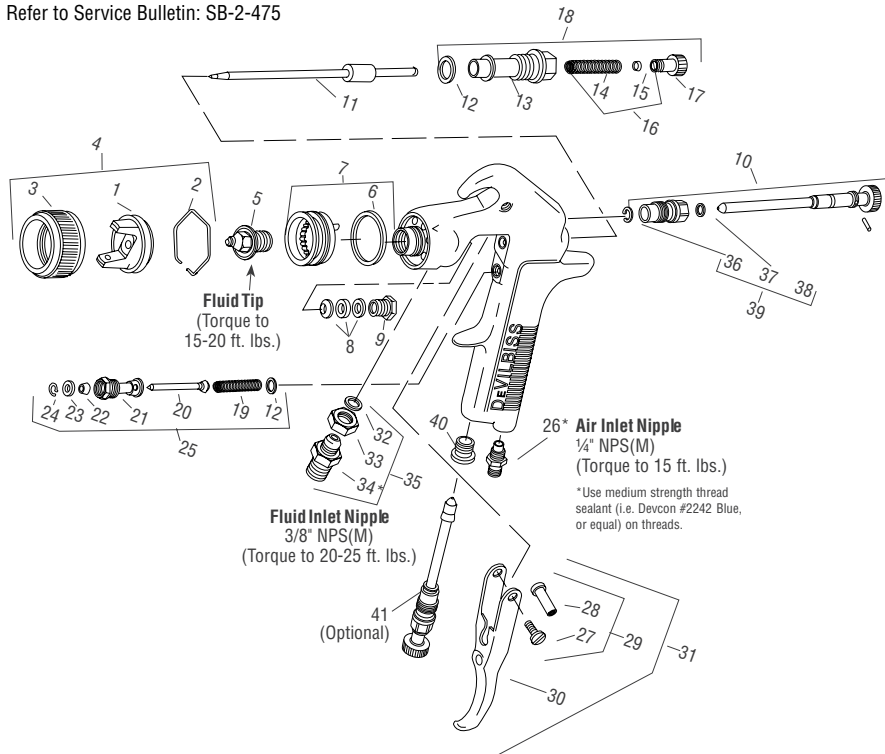


CHART 1: Air Cap

| No. on Air Cap | Air Cap Order No. | Air Cap Model No. |
|----------------|-------------------|-------------------|
| 410 | 192174 | AV-440-410 |
| 414 | 192312 | AV-440-414 |

CHART 2: Fluid Tips and Needles

| Tip Size (mm) | Fluid Tip (Ref. No. 5) | Suction Feed Fluid Needle (Ref. No. 11) | Pressure Feed Fluid Needle (Ref. No. 11) |
|---------------|------------------------|---|--|
| 1.0 | AV-213-10 | NR | GTI-449-12 |
| 1.2 | AV-213-12 | NR | GTI-449-12 |
| 1.4 | AV-213-14 | GTI-413 | GTI-449-12 |
| 1.6 | AV-213-16 | GTI-413 | NR |
| 1.8 | AV-213-18 | GTI-413 | NR |

NR = Not Recommended

●192227 (KK-5058-2) Gun Repair Kit includes a quantity of necessary parts.

| Ref. No. | Order No. | Model No. | Description | Ind. Parts Req. |
|----------|-----------|---------------|-----------------------------------|-----------------|
| 1 | — | — | Air Cap | 1 |
| 2 | 191972 | JGA-156-K10 | Spring Clip (Kit of 10) | 1 |
| 3 | 192042 | GTI-3 | Air Cap Retaining Ring | 1 |
| 4 | — | See Chart 1 | Air Cap and Retaining Ring | 1 |
| 5 | — | See Chart 2 | Fluid Tip | 1 |
| ●6 | 192179 | GTI-33-K5 | Baffle Seal (Kit of 5) | 1 |
| 7 | 192178 | GTI-425 | Baffle Assembly | 1 |
| ●8 | 192109 | JGA-4035-K5 | Packing (Kit of 5) | 1 |
| 9 | 190893 | 34411-122-K10 | Packing Nut | 1 |
| 10 | 192051 | GTI-405 | Spreader Valve | 1 |
| 11 | — | See Chart 2 | Fluid Needle | 1 |
| ●12 | 190161 | JGS-72-K10 | Gasket Kit (PTFE) (Kit of 10) | 2 |
| 13 | — | — | Body Bushing | 1 |
| ●14 | — | — | Fluid Needle Spring | 1 |
| ●15 | — | — | Spring Pad | 1 |
| 16 | 190894 | MBD-19-K10 | Spring and Pad (Kit of 10) | 1 |
| 17 | 192043 | GTI-414 | Needle Adjusting Screw | 1 |
| 18 | 192139 | KK-5059 | Bushing, Spring, Pad and Knob Kit | 1 |
| ●19 | — | — | Air Valve Spring | 1 |
| ●20 | — | — | Air Valve | 1 |
| 21 | — | — | Air Valve Body | 1 |
| ●22 | — | — | U Cup Seal | 1 |
| ●23 | — | — | Washer | 1 |
| ●24 | — | — | Snap Ring | 1 |
| 25 | 190780 | JGS-449-1 | Air Valve Assembly | 1 |
| 26 | 190287 | P-MB-51 | Air Inlet Nipple 1/4" NPS(M) | 1 |
| 27 | — | — | Trigger Stud Screw | 1 |
| 28 | — | — | Trigger Stud | 1 |
| 29 | 190889 | JGS-478 | Stud and Screw Kit | 1 |
| 30 | — | — | Trigger | 1 |
| 31 | 191943 | JGS-477-1 | Trigger Stud, Screw Kit | 1 |
| ●32 | — | — | Fluid Inlet Gasket (PTFE) | 1 |
| 33 | — | — | Locknut | 1 |
| 34 | — | — | Fluid Inlet Adapter | 1 |
| 35 | 190888 | JGA-4042 | Fluid Inlet, Gasket, Nut Kit | 1 |
| ●36 | — | — | Retaining Clip | 1 |
| ●37 | — | — | Seal | 1 |
| ●38 | — | — | Pin | 1 |
| 39 | 192229 | GTI-428-K5 | Clip, Seal & Pin (Kit of 5 Each) | 1 |
| 40 | 190828 | JGA-132 | Plug | 1 |
| 41 | 192228 | GTI-415 | Air Adjusting Valve (Optional) | 1 |

JGA®
CONVENTIONAL PRESSURE FEED GUN



High Production,
High Performance

Worldwide choice
for large area
refinishing



| Order No. | Model No. | Type | Fluid Tip (mm) | Inlet Pressure | Application | Fluid Flow |
|-----------|----------------|-------|----------------|----------------|-----------------------------|---------------|
| 110274 | JGA-504-777-14 | CONV. | 1.4 | 50-80 PSI | High solids fleet materials | 9-17 oz./min. |

CONV. = Conventional

JGA® Conventional Pressure Feed Air Cap

| | | |
|------------------------|--|---|
| #777 air cap | High solids Air Cap Order No. 192066 Air Cap Model No. AV-440-777 50-80 PSI inlet Fluid tip 1.4mm | Air Cap Pattern 11-14" |
|------------------------|--|---|

Refer to Service Bulletin: SB-2-259

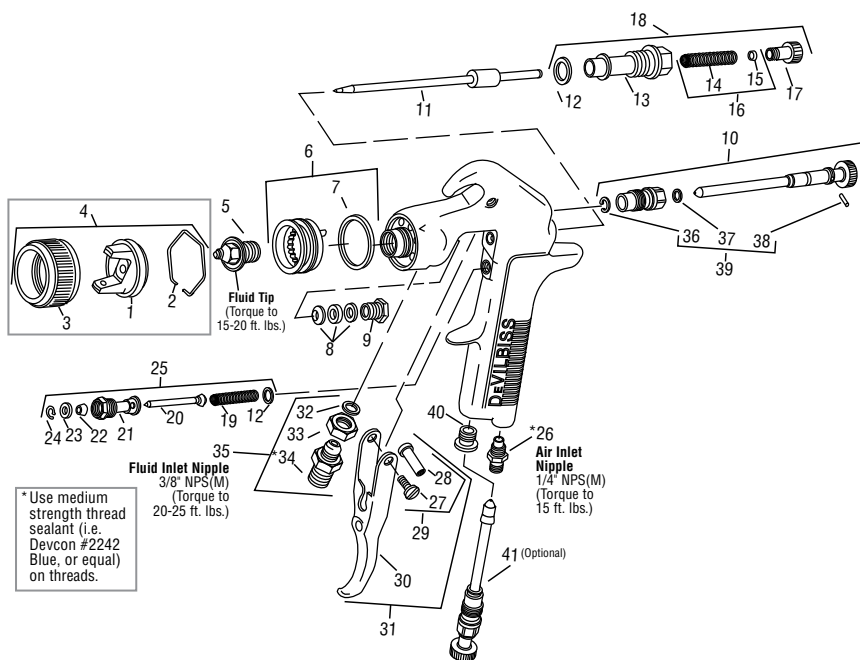


CHART 1: Air Caps, Fluid Needles & Fluid Tips

| If this no. is on air cap, order → | Air Cap with Ring (Ref. No. 4) | Fluid Needle (Ref. No. 11) | Fluid Tips Used (Ref. No. 5) |
|------------------------------------|--------------------------------|----------------------------|------------------------------|
| 765 | 192310 AV-440-765 | 192311 GTI-449-12 | 192168 AV-213-12 |
| 777 | 192066 AV-440-777 | 192311 GTI-449-12 | 192170 AV-213-14 |

● A quantity of necessary parts is included in 192227 Repair Kit (KK-5058-2) for complete gun repair and should be kept on hand for service convenience.

Suffixes: -K5 designates kit of multiple parts.
Example: JGA-4035-K5 is a kit of 5 packings.

| Ref. No. | Order No. | Model No. | Description | Ind. Parts Req. |
|----------|-------------|---------------|---------------------------------------|-----------------|
| 1 | — | — | Air Cap | 1 |
| 2 | 191972 | JGA-156-K10 | Spring Clip (Kit of 10) | 1 |
| 3 | 192042 | GTI-3 | Air Cap Retaining Ring | 1 |
| 4 | See Chart 1 | — | Air Cap & Retaining Ring | 1 |
| 5 | See Chart 1 | — | Fluid Tip | 1 |
| 6 | 192178 | GTI-425 | Baffle Assembly | 1 |
| ●7 | 192179 | GTI-33-K5 | Baffle Seal (Kit of 5) | 1 |
| ●8 | 192109 | JGA-4035-K5 | Packing (Kit of 5) | 1 |
| 9 | 190893 | 34411-122-K10 | Packing Nut (Kit of 10) | 1 |
| 10 | 192051 | GTI-405 | Spreader Valve Assy | 1 |
| 11 | See Chart 1 | — | Fluid Needle | 1 |
| ●12 | 190161 | JGS-72-K10 | Gasket (PTFE) (Kit of 10) | 2 |
| 13 | — | — | Body Bushing | 1 |
| ●14 | — | — | Fluid Needle Spring | 1 |
| ●15 | — | — | Spring Pad | 1 |
| 16 | 190894 | MBD-19-K10 | Spring & Pad (Kit of 10) | 1 |
| 17 | 192043 | GTI-414 | Needle Adjusting Screw | 1 |
| 18 | 192139 | KK-5059 | Bushing, Spring, Pad & Knob Kit | 1 |
| ●19 | — | — | Air Valve Spring | 1 |
| ●20 | — | — | Air Valve | 1 |
| 21 | — | — | Air Valve Body | 1 |
| ●22 | — | — | U Cup Seal | 1 |
| ●23 | — | — | Washer | 1 |
| ●24 | — | — | Snap Ring | 1 |
| 25 | 190780 | JGS-449-1 | Air Valve Assembly | 1 |
| 26 | 190287 | P-MB-51 | Air Inlet Nipple 1/4" NPS(M) | 1 |
| 27 | — | — | Trigger Stud Screw | 1 |
| 28 | — | — | Trigger Stud | 1 |
| 29 | 190889 | JGS-478 | Stud & Screw Kit (3 Studs & 5 Screws) | 1 |
| 30 | — | — | Trigger | 1 |
| 31 | 191943 | JGS-477-1 | Trigger, Stud & Screw Kit | 1 |
| ●32 | — | — | Fluid Inlet Gasket (PTFE) | 1 |
| 33 | — | — | Locknut | 1 |
| 34 | — | — | Fluid Inlet Adapter | 1 |
| 35 | 190888 | JGA-4042 | Fluid Inlet, Gasket & Nut Kit | 1 |
| ●36 | — | — | Retaining Clip | 1 |
| ●37 | — | — | Seal | 1 |
| ●38 | — | — | Pin | 1 |
| 39 | 192229 | GTI-428-K5 | Clip, Seal & Pin Kit (5 Each) | 1 |
| 40 | 190828 | JGA-132 | Plug | 1 |
| 41 | 192228 | GTI-415 | Air Adjusting Valve (Optional) | 1 |