

PLUS® HIGH EFFICIENCY GRAVITY FEED GUN

PLUS®

Includes:

- 1.2mm, 1.3mm, and 1.4mm fluid tips
- 900cc aluminum cup with push-on lid
- HAV-511 high output air adjusting valve with gauge
- Fluid filter, gun hook

Order No.	Model No.	Type	Fluid Tip (mm)	Inlet Pressure	Application
110264	GFG-670	HE	1.2, 1.3	25–35 PSI	Basecoats
				30–40 PSI	High solids clearcoats
			1.4	30–40 PSI	Single stages
				30–40 PSI	Low solids clearcoats
				30–40 PSI	Single stages

PLUS® Gravity Feed High Efficiency Air Cap

#410 air cap	Primers, basecoats, clearcoats, single stage and low VOC	Air Cap Order No. 192174 Air Cap Model No. AV-440-410 30–40 PSI Inlet 9–11 CFM	Air Cap Pattern 12½"
Fluid tips	1.0mm, 1.2mm, 1.3mm, 1.4mm (Included tip sizes shown in bold)		



EPA Compliant.
Approved in most
HVLPA areas.

Refer to Service Bulletin: SB-2-194

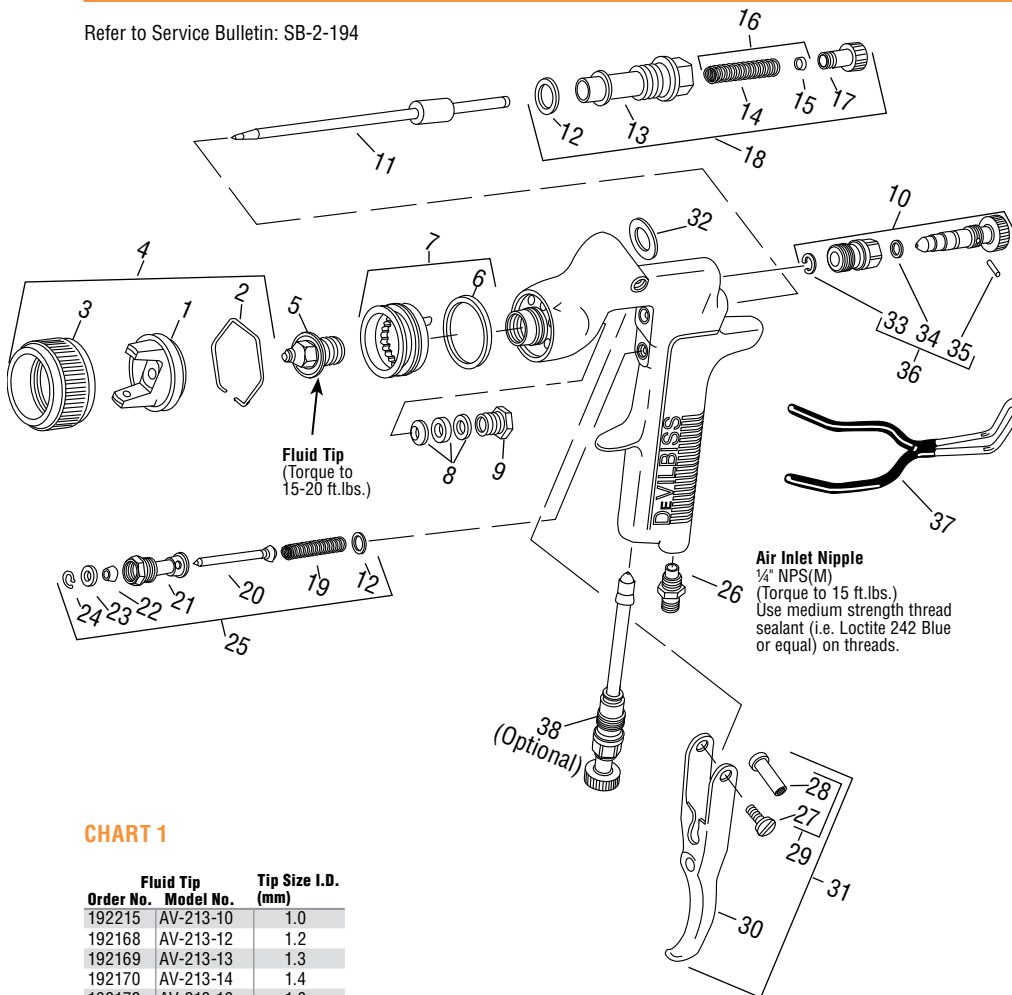


CHART 1

Fluid Tip Order No.	Model No.	Tip Size I.D. (mm)
192215	AV-213-10	1.0
192168	AV-213-12	1.2
192169	AV-213-13	1.3
192170	AV-213-14	1.4
192172	AV-213-16	1.6
192173	AV-213-18	1.8

Ref. No.	Order No.	Model No.	Description	Ind. Parts Req.
1	—	—	#410 Air Cap	1
2	191972	JGA-156-K10	Spring Clip (Kit of 10)	1
3	192042	GTI-3	Air Cap Retaining Ring	1
4	192174	AV-440-410	#410 Air Cap and Retaining Ring	1
5	See Chart 1	See Chart 1	Fluid Tip	1
•6	192179	GTI-33-K5	Baffle Seal (Kit of 5)	1
7	192178	GTI-425	Baffle Assembly	1
•8	192109	JGA-4035-K5	Packing (Kit of 5)	1
9	190893	34411-122-K10	Packing Nut	1
10	192050	GTI-404	Spreader Valve	1
11	192054	GTI-413	Fluid Needle	1
•12	190161	JGS-72-K10	Gasket Kit (PTFE) (Kit of 10)	2
13	—	—	Body Bushing	1
•14	—	—	Fluid Needle Spring	1
•15	—	—	Spring Pad	1
16	190894	MBD-19-K10	Spring and Pad (Kit of 10)	1
17	192043	GTI-414	Needle Adjusting Screw	1
18	192139	KK-5059	Bushing, Spring, Pad and Knob Kit	1
•19	—	—	Air Valve Spring	1
•20	—	—	Air Valve	1
21	—	—	Air Valve Body	1
•22	—	—	U Cup Seal	1
•23	—	—	Washer	1
•24	—	—	Snap Ring	1
25	190780	JGS-449-1	Air Valve Assembly	1
26	190287	P-MB-51	Air Inlet Nipple 1/4" NPS(M)	1
27	—	—	Trigger Stud Screw	1
28	—	—	Trigger Stud	1
29	190889	JGS-478	Stud and Screw Kit	1
30	—	—	Trigger	1
31	191943	JGS-477-1	Trigger Stud, Screw Kit	1
•32	192151	KGP-13-K5	Cup Gasket (Kit of 5)	1
•33	—	—	Retaining Clip	1
•34	—	—	Seal	1
•35	—	—	Pin	1
36	192229	GTI-428-K5	Clip, Seal & Pin Kit (5 Each)	1
37	192219	—	Gun Holder, Coated	1
38	192228	GTI-415	Air Adjusting Valve (Optional)	1

The 192227 Spray Gun Repair Kit contains all the parts indicated with a •

GTi® Millennium HVLP GRAVITY FEED GUN/CUP



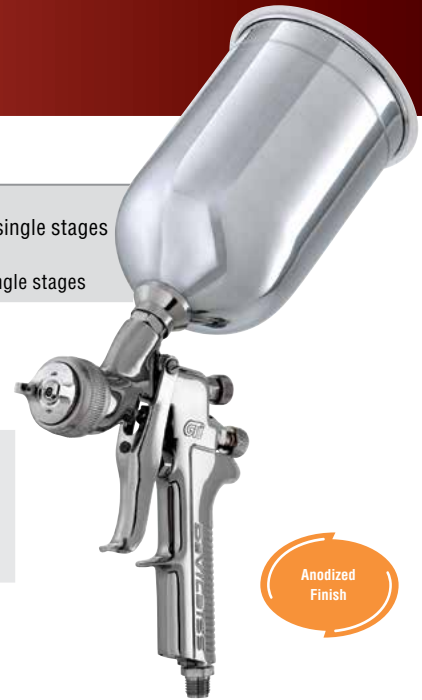
Includes:

- 1.3mm, 1.4mm, and 1.5mm fluid tips
- 900cc aluminum cup with push-on lid
- HAV-511 high output air adjusting valve with gauge
- Fluid filter, gun hook

Order No.	Model No.	Type	Fluid Tip (mm)	Inlet Pressure	Application
170156	GTI-620G	HVLP	1.3, 1.4	20–25 PSI	Basecoats
				25–30 PSI	High solids clearcoats, single stages
			1.5	20–25 PSI	Basecoats
				25–30 PSI	Low solids clearcoats, single stages

GTi® Millennium Gravity Feed HVLP Air Cap

#2000 air cap HVLP	Basecoats, clearcoats, primers, single stage, and low VOC	Air Cap Order No. 192136 Air Cap Model No. GTI-407-2000 20–30 PSI inlet 12.5-16.0 CFM	Air Cap Pattern 12"
Fluid tips	1.2mm, 1.3mm , 1.4mm , 1.5mm , 1.6mm, 1.8mm, 2.0mm, 2.2mm (Included tip sizes shown in bold)		



Anodized Finish

Refer to Service Bulletin: SB-2-168

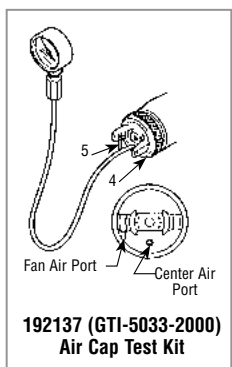
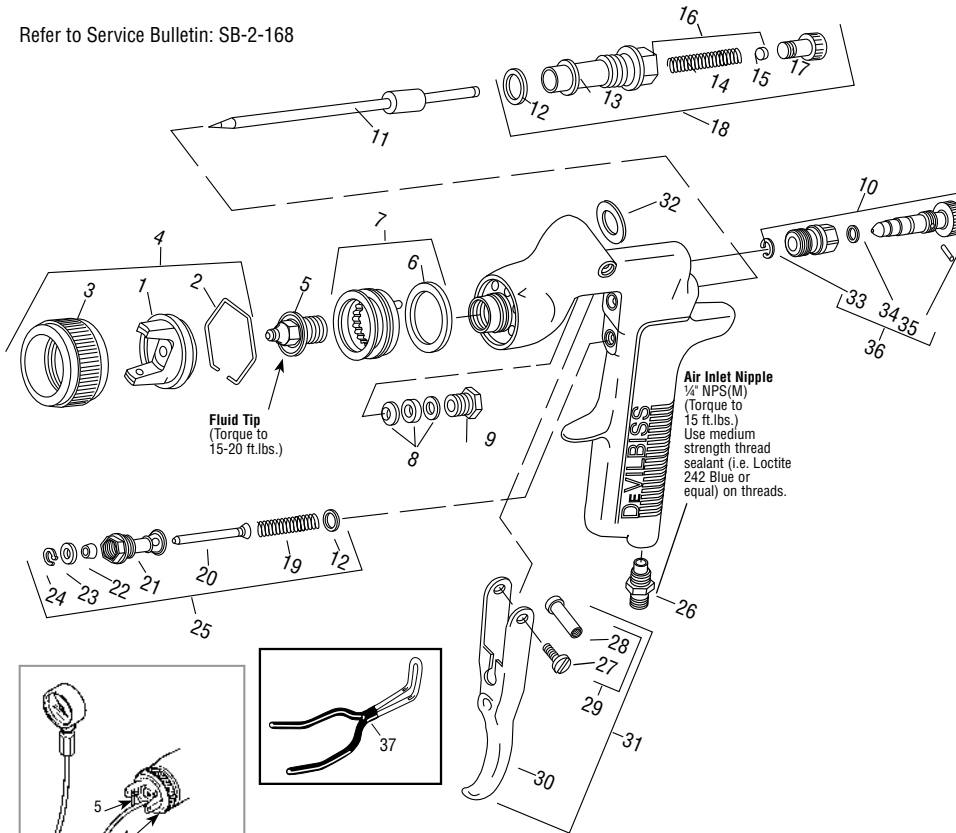


CHART 1

Order No.	Fluid Tip Model No.	Tip Size I.D. (mm)
192124	GTI-213-12	1.2
192134	GTI-213-13	1.3
192044	GTI-213-14	1.4
192135	GTI-213-15	1.5
192045	GTI-213-16	1.6
192046	GTI-213-18	1.8
192047	GTI-213-20	2.0
192132	GTI-213-22	2.2

Ref. No.	Order No.	Model No.	Description	Ind. Parts Req.
1	—	—	Air Cap	1
2	191972	JGA-156-K10	Spring Clip (Kit of 10)	1
3	192042	GTI-3	Air Cap Retaining Ring	1
4	192136	GTI-407-2000	Air Cap (#2000) and Retaining Ring	1
5	See Chart 1	See Chart 1	Fluid Tip	1
•6	192179	GTI-33-K5	Baffle Seal (Kit of 5)	1
7	192178	GTI-425	Baffle Assembly	1
•8	192109	JGA-4035-K5	Packing (Kit of 5)	1
9	190893	34411-122-K10	Packing Nut	1
10	192050	GTI-404	Spreader Valve	1
11	192054	GTI-413	Fluid Needle	1
•12	190161	JGS-72-K10	Gasket Kit (PTFE) (Kit of 10)	2
13	—	—	Body Bushing	1
•14	—	—	Fluid Needle Spring	1
•15	—	—	Spring Pad	1
16	190894	MBD-19-K10	Spring and Pad (Kit of 10)	1
17	192043	GTI-414	Needle Adjusting Screw	1
18	192139	KK-5059	Bushing, Spring, Pad and Knob Kit	1
•19	—	—	Air Valve Spring	1
•20	—	—	Air Valve	1
21	—	—	Air Valve Body	1
•22	—	—	U Cup Seal	1
•23	—	—	Washer	1
•24	—	—	Snap Ring	1
25	190780	JGS-449-1	Air Valve Assembly	1
26	190287	P-MB-51	Air Inlet Nipple 1/4\"/>	

* A quantity of necessary parts is included in 192227 Repair Kit (KK-5058-2) for complete gun repair and should be kept on hand for service convenience.

Suffixes: -K5 designates kit of multiple parts. Example: JGA-4035-K5 is a kit of 5 packings.

JGA® CONVENTIONAL SUCTION FEED GUN/CUP

- Includes:**
- TGC 1 qt. cup

Proven Technology and Durability

Order No.	Model No.	Type	Fluid Tip (mm)	Inlet Pressure	Application
110225	JGA-644	CNV.	1.6	35-50 PSI	Base, clear, low VOC, single stages, Urethanes
110102	JGA-636	CNV.	1.8	25-45 PSI	Synthetic and acrylic enamels. May need to restrict fluid flow with needle adjustment for base and clearcoats.

CNV. = CONVENTIONAL

JGA® Conventional Suction Feed Air Caps

#9000 air cap	Basecoats, clearcoats, single stages	Air Cap Order No. 199000	Air Cap Pattern 10"
	Air Cap Model No.	AV-440-9000	
	35-50 PSI inlet	9-13 CFM	
	Fluid tips	1.6mm, 1.8mm	
#80 air cap	Synthetic and acrylic enamels	Air Cap Order No. 190230	Air Cap Pattern 12"
	Air Cap Model No.	MB-4039-80	
	25-45 PSI inlet	10-14 CFM	
	Fluid tips	1.8mm	



Refer to Technical Bulletin: SB-2-259

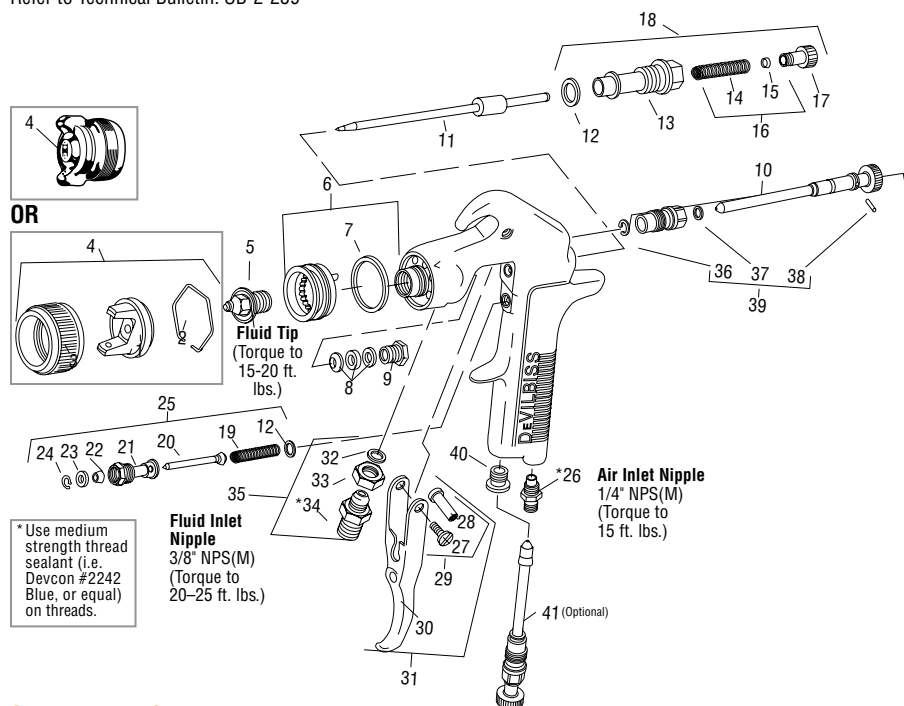


CHART 1 – Air Caps, Fluid Tips, Fluid Needles & Applications

No. on Air Cap Order No. →	Air Cap With Ring (Ref. No. 4)	Type of Fluid Delivery	Fluid Needle (Ref. No. 11)	Fluid Tips Used (Ref. No. 5)
80	190230 MB-4039-80	Suction	192054 GTI-413	AV-213-16 OR AV-213-18
9000	199000 AV-440-9000	Suction OR Pressure	192054 GTI-413	AV-213-16 OR AV-213-18

CHART 2 – Fluid Tips

Fluid Tip Order No.	Model No.	Tip Size I.D. (mm)	Type of Fluid Delivery
192172	AV-213-16	1.6	Suction Feed
192173	AV-213-18	1.8	Suction Feed

Ref. No.	Order No.	Model No.	Description	Ind. Parts Req.
1	—	—	Air Cap	1
2	191972	JGA-156-K10	Spring Clip (Kit of 10)	1
3	192042	GTI-3	Air Cap Retaining Ring	1
4	—	See Chart 1	Air Cap & Retaining Ring	1
5	—	See Charts 1 & 2	Fluid Tip	1
6	192178	GTI-425	Baffle Assembly	1
7	192179	GTI-33-K5	Baffle Seal (Kit of 5)	1
8	192109	JGA-4035-K5	Packing (Kit of 5)	1
9	190893	34411-122-K10	Packing Nut (Kit of 10)	1
10	192051	GTI-405	Spreader Valve Assembly	1
11	—	See Chart 1	Fluid Needle	1
12	190161	JGS-72-K10	Gasket (PTFE) (Kit of 10)	2
13	—	—	Body Bushing	1
14	—	—	Fluid Needle Spring	1
15	—	—	Spring Pad	1
16	190894	MBD-19-K10	Spring & Pad (Kit of 10)	1
17	192043	GTI-414	Needle Adjusting Screw	1
18	192139	KK-5059	Bushing, Spring, Pad & Knob Kit	1
19	—	—	Air Valve Spring	1
20	—	—	Air Valve	1
21	—	—	Air Valve Body	1
22	—	—	U Cup Seal	1
23	—	—	Washer	1
24	—	—	Snap Ring	1
25	190780	JGS-449-1	Air Valve Assembly	1
26	190287	P-MB-51	Air Inlet Nipple 1/4" NPS(M)	1
27	—	—	Trigger Stud Screw	1
28	—	—	Trigger Stud	1
29	190889	JGS-478	Stud & Screw Kit (includes 3 Studs & 5 Screws)	1
30	—	—	Trigger	1
31	191943	JGS-477-1	Trigger, Stud & Screw Kit	1
32	—	—	Fluid Inlet Gasket (PTFE)	1
33	—	—	Locknut	1
34	—	—	Fluid Inlet Adapter	1
35	190888	JGA-4042	Fluid Inlet, Gasket & Nut Kit	1
36	—	—	Retaining Clip	1
37	—	—	Seal	1
38	—	—	Pin	1
39	192229	GTI-428-K5	Clip, Seal & Pin Kit (5 Each)	1
40	190828	JGA-132	Plug	1
41	192228	GTI-415	Air Adjusting Valve (Optional)	1

* A quantity of necessary parts is included in 192227 Repair Kit (KK-5058-2) for complete gun repair and should be kept on hand for service convenience.

Suffixes: -K5 designates kit of multiple parts. Example: JGA-4035-K5 is a kit of 5 packings.