

FinishLine® Pressure Feed



Includes:

- 1.3mm fluid tip
- Air adjusting valve with gauge
- High grade 303 stainless steel components
- Easy to clean anodized finish

Order No.	Model No.	Description
803692	FLG-574-13	FLG4 Pressure Feed Spray Gun (1.3mm)
803736	FLG-675	FLG4 Pressure Feed Spray Gun and Pressure Cup Kit. Includes: FLG-574-13 Pressure Feed Gun with HAV-512 Analog Gauge, KB-555 Pressure Cup with five (5) E-Z Liners, KB-4006 Hose Assembly, 1.8mm fluid tip

FinishLine® Pressure Feed Air Caps

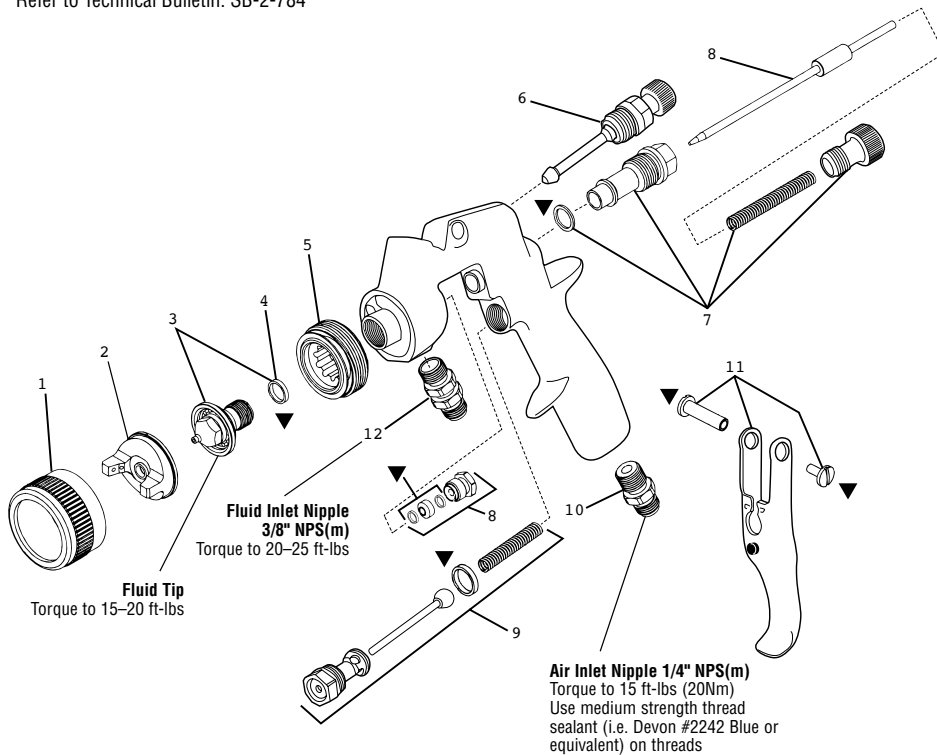
#4 air cap (HVLP)	General purpose, light to medium viscosity material, latex or heavy bodied materials Air Cap Order No. 803693 Air Cap Model No. FLG-1-4 17-26 PSI inlet 12-15 CFM	Air Cap Pattern 12½"
Fluid Tips	1.3mm, 1.5mm, 1.8mm, 2.2mm (included tip sizes shown in bold)	



Waterborne compatible when using a plastic or disposable cup system.



Refer to Technical Bulletin: SB-2-784



Ref #	Description	Part #	Qty
1	Retaining Ring	803055	1
2	Air Cap	803693	1
3	Fluid Tip & Seal Kit	Chart 1	1
4	Fluid Tip Seal (Kit of 5)	690020	1
5	Baffle	690021	1
6	Spreader Air Adjustment Valve	803528	1
7	Needle Knob, Spring, Bushing & Gasket Kit	803525	1
8	FLG4 Needle, Needle Packing & Nut Kit	803526	1
9	Air Valve & Gasket Kit	190780	1
10	Air Inlet Nipple	190287	1
11	Trigger, Trigger Stud & Screw	191943	1
12	Fluid Inlet & Nut Kit	191942	1

FLG-488-K ▼ FLG4 Gun Repair Kit (Contains 1 each: Fluid Tip Seal, Needle Packing, Trigger Stud, Trigger Screw, and Gasket for Air Valve & Needle Bushing.)

**CHART 1
Fluid Tips**

Fluid Tip Part No.	Order No.	Fluid Tip Size (mm)	Applications
FLG-332-13K	803051	1.3	General purpose, light to medium viscosity material.
FLG-332-13K	803052	1.5	
FLG-332-18K	803053	1.8	Latex or heavy bodied materials.
FLG-332-22K	803054	2.2	