



### HE/HVLP Gravity Gun/Cup

Order No. Model No.  
802851 CVI-620G

Includes: 1.3mm & 1.4mm fluid nozzles;  
900cc aluminum gravity cup with push-on lid

### HE/HVLP Waterborne Gravity Gun/Cup

Order No. Model No.  
802949 CVI-620GW

Includes: 1.3mm & 1.4mm fluid nozzles;  
20 oz. Acetal gravity cup

Both models include: spray gun lube, fluid filter, gun hook, HAV-512 air adjusting valve with gauge, air valve assembly tool



\* Waterborne compatible when using a plastic or disposable cup system.



### Two air caps included:

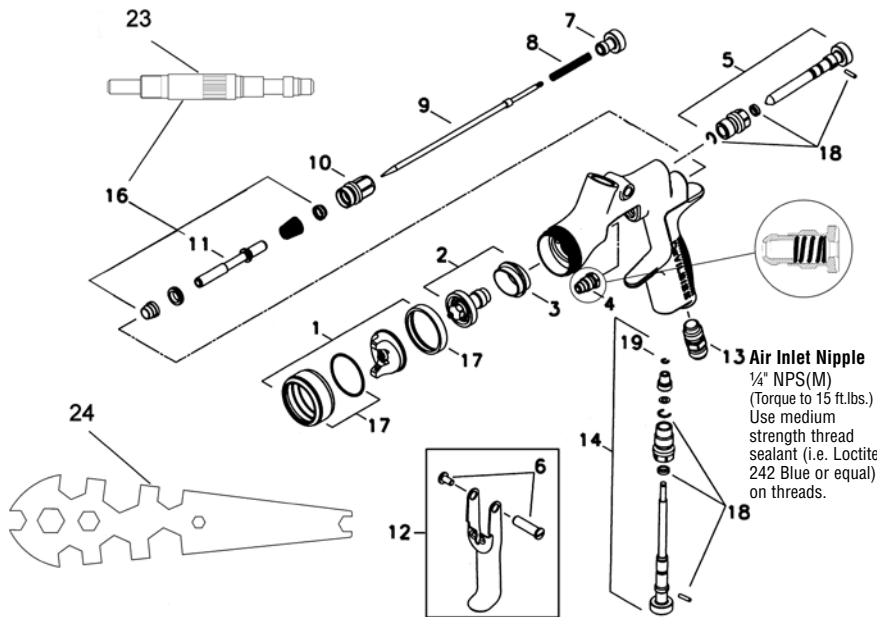
- Trans-Tech High Efficiency Technology (#510)
- HVLP (#505)

Comfortable and lightweight; ergonomic design means reduced painter fatigue.

### CVi Gravity Feed Air Caps

| Air Cap             | Order No.                                                                                                 | Model No.    | Description                                                                                                                                           | Air Cap Pattern |
|---------------------|-----------------------------------------------------------------------------------------------------------|--------------|-------------------------------------------------------------------------------------------------------------------------------------------------------|-----------------|
| #505 air cap (HVLP) | 802841                                                                                                    | SP-100-505-K | Base coats, clearcoats, primers, single stage, and low VOC<br>Air Cap Order No. 802841<br>Air Cap Model No. SP-100-505-K<br>14-18 PSI inlet 10-13 CFM | 11¼"            |
| #510 air cap (HE)   | 802546                                                                                                    | SP-100-510-K | Primers, base coats, clearcoats, single stage, and low VOC<br>Air Cap Order No. 802546<br>Air Cap Model No. SP-100-510-K<br>20-26 PSI inlet 7.5-9 CFM | 11½"            |
| Fluid Tips          | 1.0 mm, 1.2 mm, <b>1.3 mm</b> , <b>1.4 mm</b> , 1.6 mm, 1.8 mm, 2.0 mm (Included tip sizes shown in bold) |              |                                                                                                                                                       |                 |

Refer to Service Bulletin: SB-2-658



| Ref. No. | Order No. | Model No.    | Description                        | Ind. Parts Req. |
|----------|-----------|--------------|------------------------------------|-----------------|
| 1        | 802841    | SP-100-505-K | Air Cap/Retaining Ring assy (#505) | 1               |
| 1        | 802546    | SP-100-510-K | Air Cap/Retaining Ring assy (#510) | 1               |
| 2a       | 802549    | SP-200S-10-K | Nozzle (1.0)                       | 1               |
| 2b       | 802550    | SP-200S-12-K | Nozzle (1.2)                       | 1               |
| 2c       | 802835    | SP-200S-13-K | Nozzle (1.3)                       | 1               |
| 2d       | 802551    | SP-200S-14-K | Nozzle (1.4)                       | 1               |
| 2e       | 802552    | SP-200S-16-K | Nozzle (1.6)                       | 1               |
| 2f       | 802553    | SP-200S-18-K | Nozzle (1.8)                       | 1               |
| 2g       | 802554    | SP-200S-20-K | Nozzle (2.0)                       | 1               |
| + 3      | 802522    | SP-626-K5    | Separator                          | 5               |
| + 4      | 802511    | GTI-445-K2   | Packing                            | 2               |
| 5        | 802514    | SP-403-K     | Spreader Valve                     | 5               |
| 6        | —         | —            | Stud and Screw                     | 1               |
| 7        | 802518    | SP-614-K     | Needle Adjusting Screw             | 1               |
| + 8      | 802520    | SP-622-K5    | Spring                             | 1               |
| 9a       | 802557    | SP-300S-10-K | Needle (1.0)                       | 1               |
| 9b       | 802558    | SP-300S-12-K | Needle (1.2)                       | 1               |
| 9c       | 802836    | SP-300S-13-K | Needle (1.3)                       | 1               |
| 9d       | 802559    | SP-300S-14-K | Needle (1.4)                       | 1               |
| 9e       | 802560    | SP-300S-16-K | Needle (1.6)                       | 1               |
| 9f       | 802561    | SP-300S-18-K | Needle (1.8)                       | 1               |
| 9g       | 802562    | SP-300S-20-K | Needle (2.0)                       | 1               |
| 10       | 802517    | SP-612-K     | Air Valve Housing and Seal         | 1               |
| 11       | —         | —            | Spindle                            | 1               |
| 12       | 703535    | SP-617-CR-K  | Trigger, Stud and Screw            | 1               |
| 13       | 802516    | SP-611-K     | Connector                          | 1               |
| 14       | 802513    | SP-402-K     | Airflow Valve                      | 1               |
| 16       | 802524    | SPK-101-K    | Air Valve Service Kit              | 1               |
| 17       | 802525    | SPK-102-K    | Retaining Ring and Seals           | 1               |
| + 18     | 192229    | GTI-428-K5   | Clip, Seal and Pin Kit             | 5               |
| 23       | —         | —            | Air Valve Assembly Tool            | 1               |
| 24       | 802531    | SPN-5-K      | Spanner                            | 1               |

### + Spray Gun Service Kit 803083 (SPK-402-K)

| Ref No. | Description            | Qty. |
|---------|------------------------|------|
| 3       | Separator              | 1    |
| 4       | Packing                | 1    |
| 8       | Spring                 | 1    |
| 18      | Clip, Seal and Pin Kit | 1    |