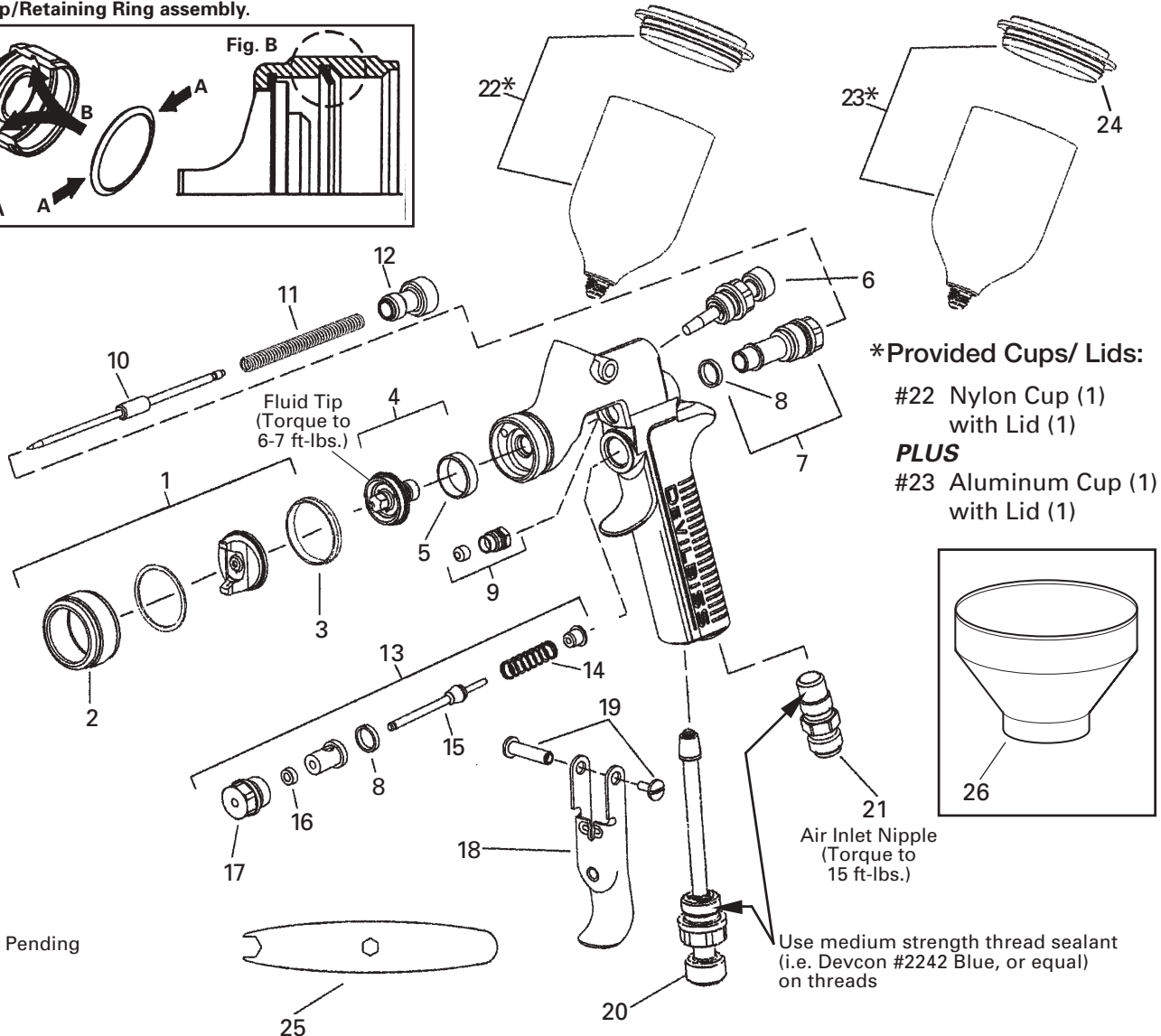
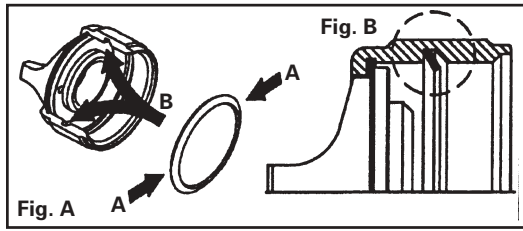
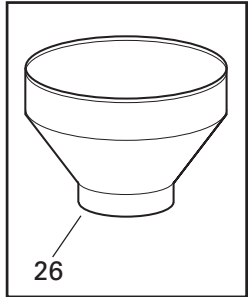


Views showing correct
Air Cap/Retaining Ring assembly.



***Provided Cups/ Lids:**
 #22 Nylon Cup (1) with Lid (1)
PLUS
 #23 Aluminum Cup (1) with Lid (1)



Air Inlet Nipple (Torque to 15 ft-lbs.)

Use medium strength thread sealant (i.e. Devcon #2242 Blue, or equal) on threads

Patent Pending

PARTS LIST

Ref. No.	Replacement Part No.	Description	Ind. Parts Req.
1	See Chart 1	Air Cap/Retaining Ring-HVLP	1
2	—	Retaining Ring	1
●3	SRI-35-K5	Air Cap Seal Kit (5)	1
4	See Chart 1	Fluid Tip & Seal Kit	1
●5	SRI-6-K5	Separator Kit (5)	1
6	SRI-401	Spreader Valve Assy.	1
7	SRI-17-K	Body Bushing Kit	1
●8	SRI-16-K5	Seal Kit (5)	2
●9	SRI-411-K3	Needle Packing Kit (3 Packings & 1 Nut)	1
10	See Chart 1	Fluid Needle	1
●11	SRI-18-K2	Needle Spring Kit (2)	1
12	SRI-19-K2	Needle Adjusting Knob Kit (2)	1
13	SRI-404-K	Air Valve Assembly	1
●14	—	Air Valve Spring	1

Ref. No.	Replacement Part No.	Description	Ind. Parts Req.
15	—	Air Valve Stem Assembly	1
●16	—	Air Valve Seal	1
17	—	Air Valve Body	1
18	SRI-9	Trigger (SRI)	1
19	SRI-412	Trigger Stud & Screw Kit	1
20	SRI-402	Air Control Valve	1
21	SRI-20	Air Inlet Adaptor	1
22	SRI-478-K12	Cup & Lid Kit (Nylon Cup) 4 ea. color (12)	1
23	54-4458	Cup & Lid Kit (Aluminum Cup) (Kit of 1 ea. Cup & Lid)	1
24	54-4539	Lid Kit (Kit of 3 for Aluminum Cup)	1
●25	SRI-50-K2	Wrench SRI (2)	1
26	SRI-51-K12	Funnel Kit (12)	1

● SRI-426 Gun Repair Kit includes a quantity of necessary parts.