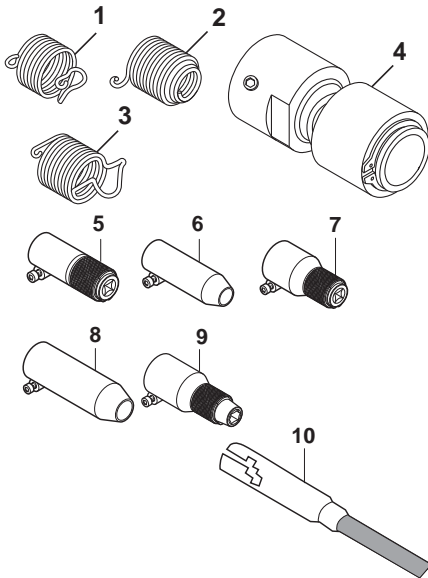


CHIPPING

Accessories & Dimensions - Chipping

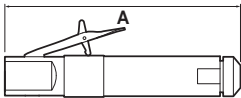


TOOL RETAINERS



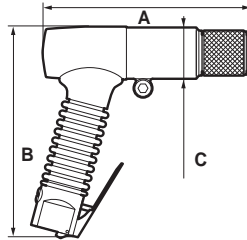
MODEL USED	TYPE	PART NUMBER	DESCRIPTION
CP7111 / CP714	1	205 048 7413	Quick Change
	1	A046095	Heavy Duty Quick Change
	2	A046096	Bee hive
	3	205 052 5333	Zip Change
	3	A046094	Heavy Duty Zip Change made in USA
CP716	4	894 015 8924	Posi Lock Quick Change
	4	A121721	Heavy Duty Posi Lock Quick Change made in USA
CP717	1	CA157640	Quick Change
B15B(M)	1	A047095	Quick change retainer
	2	A047096	Bee hive
B16B(M) / B18B(M)	5	615 250 5240	1/2" Square Tool Retainer
B19B(M)	6	615 250 5230	Round adjustable sleeve
B19B1	5	615 250 5250	1/2" Square Tool Retainer
B21B(M)	7	615 250 5380	1/2" Square Tool Retainer
CP9356	8	615 250 5190	Round adjustable sleeve
	9	615 250 5260	5/8" Hexagonal Tool Retainer
	7	615 250 5360	1/2" Square Tool Retainer
	10	P136983	Round Nose

DIMENSIONS



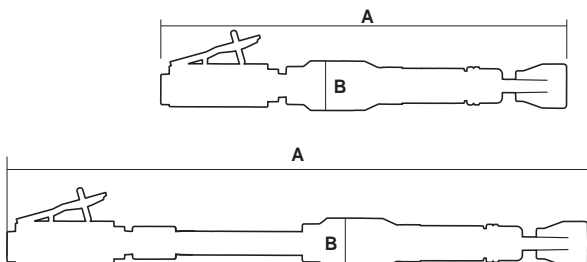
MODEL	A	
	in.	mm
B15B	8	201
B16B	9	231
B16BV	16.7	425
CP7115	11.4	290
CP0951	13.4	340
CP7120	18	457
CP9356NS	9.4	238
CP9356WF	9.4	238
CP0456 LASAN	16.3	413
CP0456 LESAR	8.6	219
B15M	13.2	335
B16M	14.4	366
B16MV	14.2	360

For B20 series dimensions, please see the specifications table p. 160



AIR SCRIBE	A	
	in.	mm
CP9361	5.0	147
CP9160	5.8	127

PISTOL SHAPE	A		B		C	
	in	mm	in	mm	in	mm
CP7111	7.5	190	5.7	145	1.6	40
CP714	7.7	195	6.1	155	2	50
CP717	8.7	220	6.1	155	2.4	60
CP716	7.5	190	-	-	1.6	40
CP7125	12.4	315	4.7	120	1.7	45
RA1	7.5	190	5.1	130	1.2	30
RA1BL	7.5	190	5.1	130	1.2	30
RA2C	8.3	210	5.9	150	1.6	40
RA2H	8.3	210	5.9	150	1.6	40
GV5	15.2	385	-	-	-	-
B18B	6.8	173	6.7	170	1.7	43
B19B	7.5	191	7	180	2	51
B19B1	8.6	218	7	180	2	51
B21B	12.2	310	6.5	165	2.4	60
B18BV	16.5	420	7	180	2	50
B19BV	17.7	450	7	180	2.3	58
B18M	12.4	315	6.7	170	1.9	48
B19M	13.5	342	6.7	177	2.4	60
B21M	19.0	484	6.5	165	2.6	66
B18MV	13.4	340	7	180	2	50
B19MV	14.8	375	7	180	2.3	58
CP0952	12.6	320	-	-	2.5	64



SAND RAMMERS	A		B	
	in	mm	in	mm
CP0200B18-2F	15.4-17.3	390-440	1.8	46
CP0200B22-2F	18.3-20.8	465-529	2.0	50
CP0200B25-2F	24.8-28.1	630-713	2.4	60
CP0200B18L-2F	21.3-23.3	542-592	1.8	46
CP0200B22L-2F	24.2-26.7	614-678	2.0	50
CP0200B25L-2F	40.9-44.1	1038-1121	2.4	60
CP0200B32L-2F	44.2-49.2	1123-1250	2.7	68