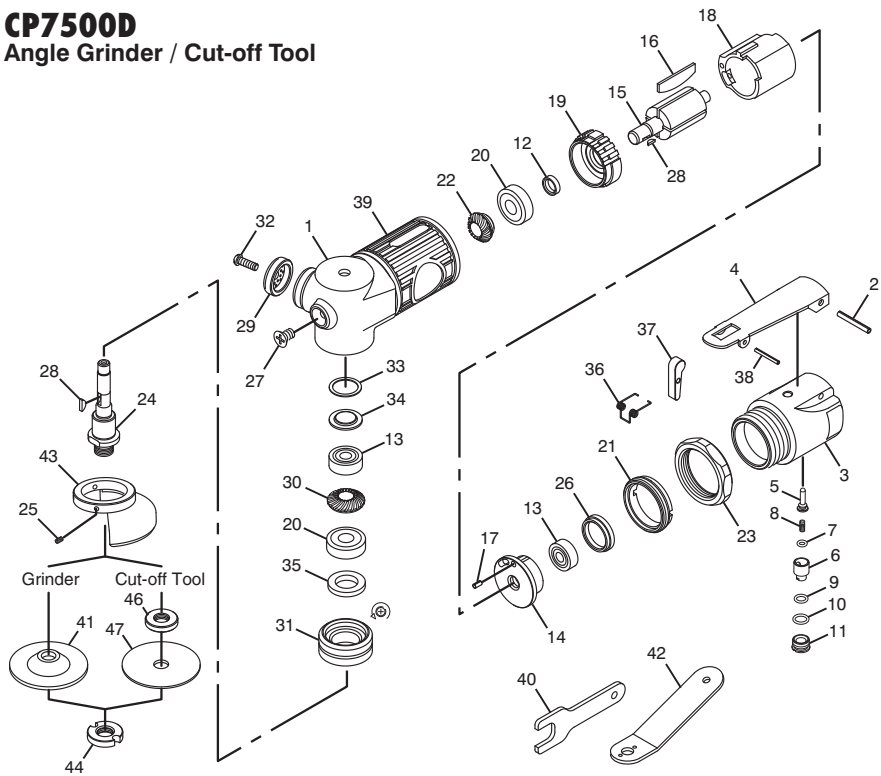


# CP7500D

## Angle Grinder / Cut-off Tool

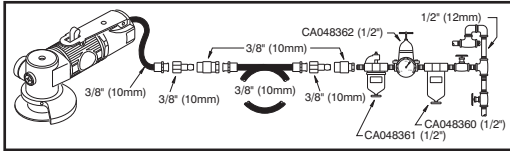


Index No.	Part No.	Description	No. Req'd.	Index No.	Part No.	Description	No. Req'd.
1	8940162727	Housing	1	29	8940162748	Exhaust Cover	1
2	CA144787	Spring Pin	1	30	8940162749	Bevel Gear	1
3	8940162728	Valve Body	1	31	8940162750	Lock Nut	1
4	CA144788	Lever	1	32	8940162751	Screw	1
5	8940162729	Valve Stem	1	33	8940162752	Packing	1
6	8940162730	Adjust Valve	1	34	8940162753	Bearing Cover	1
7	KF131709	O-Ring	1	35	8940162754	Seal	1
8	8940162731	Spring	1	36	8940162755	Spring	1
9	8940162106	O-Ring	1	37	8940162756	Lever Bar	1
10	CA158057	O-Ring	1	38	8940162757	Spring Pin	1
11	8940162732	Throttle Valve Plug	1	39	8940162758	Rubber Grip	1
12	CA158069	Spacer	1	40	8940162759	Spanner	1
13	8940162733	Ball Bearing	2		See	2" Grinding Wheel 60 Grit	1
14	8940162734	Rear End Plate	1	41	Accessories Available	2" Grinding Wheel 80 Grit (5 pcs)	1
15	8940162735	Rotor	1		Available	2" Grinding Wheel 120 Grit	1
16	8940162736	Rotor Blade (4)	1	42	8940164485	Pin Wrench	1
17	8940162737	Spring Pin	1	43	8940162764	Wheel Guard	1
18	8940162738	Cylinder	1	44	8940162765	Nut	1
19	8940162739	Front End Plate	1	46	8940164487	Spacer	1
20	CA144800	Ball Bearing	2		See	2" Cutting Wheel	1
21	8940162740	Lock Nut	1	47	Accessories Available	Available	1
22	8940162741	Pinion Gear	1				
23	8940162742	Lock Ring	1				
24	8940164491	Spindle	1				
25	8940162744	Screw	3				
26	8940162745	Cap	1				
27	8940162746	Screw	1				
28	8940162747	Key	2				

**Accessories**  
 8940162768 - 2" Grinding Wheel 60 Grit (5 pcs)  
 8940162769 - 2" Grinding Wheel 80 Grit (5 pcs)  
 8940162770 - 2" Grinding Wheel 120 Grit (5 pcs)  
 8940164490 - 2" Cutting Wheel (5 pcs)

**INSTRUCTION MANUAL****Air Supply Requirements**

1. Supply tool with 90 psig (6.2 bar) of clean, dry air. Higher pressure drastically reduces tool life.
2. Connect tool to air line using pipe, hose, and fitting sizes shown in the diagram.

**Lubrication**

1. Motor - Use an air line lubricator with SAE #10 oil, adjusted to two (2) drops per minute. If an air line lubricator cannot be used, add air motor oil to the inlet once a day.
2. Gears - Remove screw (Index no. 27). Use grease gun C098689 with Mobilux EP-2 or equal grease. Re-install screw (Index no. 27).

**Maintenance**

1. Disassemble and inspect air motor every three (3) months if the tool is used every day. Replace damaged or worn parts.
2. High wear parts are underlined in the parts list.
3. Recommended accessories:

**8940162768**

Grinding Wheel 60 Grit (set of 5)

**8940162769**

Grinding Wheel 80 Grit (set of 5)

**8940162770**

Grinding Wheel 120 Grit (set of 5)

**8940164490**

Cutting Wheel (set of 5)

**EC DECLARATION OF CONFORMITY**

We, Chicago Pneumatic Tool Co. LLC, 13325 Carowinds Blvd., Charlotte, NC 28273 USA, declare under our sole responsibility that the product to which this declaration relates, is in conformity with the requirements of the Council Directive of June 1998 on the approximation of the laws of the Member States relating to machinery (98/37/EC).

**Machine Name** CP7500D 2" Angle Grinder / Cut-off Tool**Machine Type** Power tool equipped with 3/8"-24 spindle for use with various grinding and cutting wheels - No other use is permitted.**Serial No.** Tools with No. 06001P or higher**Technical Data**

2" (50.8 mm) Grinding or cutting wheel

Free Speed 22,000 RPM

Air pressure 90 psi (6.2 bar)

**Harmonized Standards Applied** EN792-7**National Standards Applied** ISO 8662-4(Grinder), ISO 8662-12(Cut-Off Tool), ISO 15744-2002**Name And Position Of Issuer** Stéphane Rakotoarivelo, General Manager**Signature Of Issuer** **Date Of Issue** October 15, 2007**Noise & Vibration Declaration\***

Sound pressure level 79 dB(A) uncertainty 3 dB(A), in accordance with ISO 15744-2002. For sound power, add 11 dB(A).

**For use as a Grinder**Vibration value 6.5 m/s<sup>2</sup>, re. ISO 8662-4.**For use as a Cut-off Tool**Vibration value 5.35 m/s<sup>2</sup>, re. ISO 8662-12.

\*These declared values were obtained by laboratory type testing in compliance with the stated standards and are not adequate for use in risk assessments. Values measured in individual work places may be higher than the declared values. The actual exposure values and risk of harm experienced by an individual user are unique and depend upon the way the user works, the workpiece and the workstation design, as well as upon the exposure time and the physical condition of the user. We, Chicago Pneumatic, cannot be held liable for the consequences of using the declared values, instead of values reflecting the actual exposure, in an individual risk assessment in a work place situation over which we have no control.



## ⚠ WARNING

To reduce risk of injury, everyone using, installing, repairing, maintaining, changing accessories on, or working near this tool must read and understand these instructions before performing any such task.

2

The goal of Chicago Pneumatic is to produce tools that help you work safely and efficiently. The most important safety device for this or any tool is YOU. Your care and good judgment are the best protection against injury. All possible hazards cannot be covered here, but we have tried to highlight some of the important ones.

### For Additional Safety Information Consult:

- ▲ Your employer, union and/or trade association.
- ▲ US Department of Labor (OSHA); [www.osha.gov](http://www.osha.gov); Council of the European Communities [europe.osha.eu.int](http://europe.osha.eu.int)
- ▲ "Safety Requirements for the Use, Care and Protection of Abrasive Wheels" (ANSI B7.1) and "Safety Code for Portable Air Tools" (ANSI B186.1) available from: [www.ansi.org](http://www.ansi.org)
- ▲ "Safety Requirements for Hand-Held Non-Electric Power Tools" available from: European Committee for Standardization, [www.cenorm.be](http://www.cenorm.be)

### Air Supply And Connection Hazards

- ▲ Air under pressure can cause severe injury.
- ▲ Always shut off air supply, drain hose of air pressure and disconnect tool from air supply when not in use, before changing accessories or when making repairs.
- ▲ Never direct air at yourself or anyone else.
- ▲ Whipping hoses can cause serious injury. Always check for damaged or loose hoses and fittings.
- ▲ Do not use quick disconnect couplings at tool. See instructions for correct setup.
- ▲ Whenever universal twist couplings are used, lock pins must be installed.
- ▲ Do not exceed maximum air pressure of 90 psi/6.2 bar or as stated on tool nameplate.

### Wheel Guard Usage

- ▲ Always use the recommended wheel guard to prevent injury from broken grinding wheel parts.
- ▲ If a guard has withstood a wheel breakage do not continue to use it. It may be damaged.
- ▲ Position the guard between the grinding or cutting wheel and the operator.
- ▲ Use barriers to protect others from wheel fragments and grinding sparks.

### Projectile Hazards

- ▲ Always wear impact-resistant eye and face protection when involved with or near the operation, repair or maintenance of the tool or changing accessories on the tool.
- ▲ Be sure all others in the area are wearing impact-resistant eye and face protection.
- ▲ Even small projectiles can injure eyes and cause blindness.
- ▲ A grinding or cutting wheel that bursts can cause very serious injury.
- ▲ Daily measure the tool speed with a tachometer to make sure it is not greater than the RPM marked on the grinding or cutting wheel.
- ▲ Never use a grinding or cutting wheel marked with a speed lower than the air grinder or cut-off tool speed.
- ▲ Ensure that sparks and metal cuttings are directed so as not to cause a hazard.

### Grinding or Cutting Wheel Mounting Hazards

- ▲ Correct grinding wheel mounting is necessary to prevent injury from broken wheels.
- ▲ Do not use chipped or cracked grinding or cutting wheels.
- ▲ Grinding wheels should be a free fit on the spindle to prevent stress at the hole.

- ▲ Use only wheel collars that come with the grinder for mounting the grinding wheel.
- ▲ Flat washers or other adapters may over stress the wheel. Always use heavy paper blotter discs between the wheel collars and the grinding wheel. Use spacer (Index No. 46) only with cutting wheel. Never use spacer with grinding wheel otherwise it can cause injury.
- ▲ Tighten the wheel on the spindle to prevent spin off when the air grinder is turned off.
- ▲ Before grinding, test grinding wheel by briefly running tool at full throttle. Be sure to use a barrier (such as under a heavy work table) to stop any possible broken wheel parts.

### Cut-Off Tool Operating Hazards

- ▲ Cutting with these tools will create sharp edges. Wear gloves to protect hands.
- ▲ Avoid direct contact with accessory and work surface during and after work.
- ▲ Cutting edges and saw blades can become hot during use. Do not touch.
- ▲ Never force the tool to cut faster or through heavier gauge material than rated capacity.
- ▲ To prevent damage to the tool and accessory, accessory must be held firmly against work surface while cutting.

### Workplace Hazards

- ▲ Slip/Trip/Fall is a major cause of serious injury or death. Be aware of excess hose left on the walking or work surface.
- ▲ High sound levels can cause permanent hearing loss. Use hearing protection as recommended by your employer or OSHA regulation (see 29 CFR part 1910).
- ▲ Maintain a balanced body position and secure footing.
- ▲ Repetitive work motions, awkward positions and exposure to vibration can be harmful to hands and arms. If numbness, tingling, pain or whitening of the skin occurs, stop using tool and consult a physician.
- ▲ Avoid inhaling dust or handling debris from the work process which can be harmful to your health. Use dust extraction and wear respiratory protective equipment when working with materials which produce airborne particles.
- ▲ Operators and maintenance personnel must be physically able to handle the bulk, weight and power of this tool.
- ▲ This tool is not intended for use in explosive atmospheres and is not insulated for contact with electric power sources.
- ▲ Some dust created by power sanding, sawing, grinding, drilling and other construction activities contains chemicals known to the State of California to cause cancer and birth defects or other reproductive harm. Some examples of these chemicals are:
  - Lead from lead based paints
  - Crystalline silica bricks and cement and other masonry products
  - And Arsenic and chromium from chemically-treated rubber
- ▲ Your risk from these exposures varies, depending on how often you do this type of work. To reduce your exposure to these chemicals: work in a well ventilated area, and work with approved safety equipment, such as dust masks that are specially designed to filter out microscopic particles.
- ▲ For professional use only.

# SAFETY INSTRUCTIONS

## DO NOT DISCARD - GIVE TO USER