



# 1/4" Drive Impact Socket Set



1/4"

6s

No. 9772

1/4" Drive Master Set



This set contains the most popular sockets in our 1/4" surface drive line, plus 3 extensions, universal joint, 1/4" to 3/8" adapter and 1/4" Hex to 1/4" Square Adapter. Packaged in an all new compact, low profile molded storage case. This set is great for use on impact wrenches, air ratchets as well as hand ratchets.



### 72 piece set contents:

#### 10 Pieces Standard Length:

3/16", 7/32", 1/4", 9/32", 5/16", 11/32", 3/8", 7/16", 1/2", 9/16"

#### 10 Pieces Deep Length:

3/16", 7/32", 1/4", 9/32", 5/16", 11/32", 3/8", 7/16", 1/2", 9/16"

#### 14 Pieces Metric Standard Length:

4mm, 4.5mm, 5mm, 5.5mm, 6mm, 7mm, 8mm, 9mm, 10mm, 11mm, 12mm, 13mm, 14mm, 15mm

#### 14 Pieces Metric Deep Length:

4mm, 4.5mm, 5mm, 5.5mm, 6mm, 7mm, 8mm, 9mm, 10mm, 11mm, 12mm, 13mm, 14mm, 15mm

#### 6 Pieces Standard Universal:

1/4", 5/16", 3/8", 7/16", 1/2", 9/16"

#### 12 Pieces Metric Standard Universal:

5mm, 5.5mm, 6mm, 7mm, 8mm, 9mm, 10mm, 11mm, 12mm, 13mm, 14mm, 15mm

#### 1 Piece Each:

2", 4", & 6" Extensions  
1/4" Universal Joint  
1/4" F. x 3/8" M. Adapter  
1/4" Hex x 1/4" Square Adapter

Molded Storage Case



# 3/8" Drive 12-Point Deep Length Impact Sockets



## 12 3/8" Drive 12-Point - Deep Length - Fractional Sizes SAE

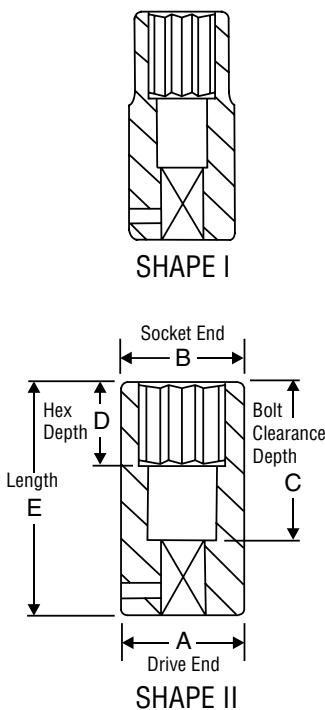


Item Number	12-Point Size	Shape	Dimensions (Inches)				
			A	B	C	D	E
<b>1110D</b>	<b>5/16"</b>	I	.75	.49	2.01	.24	2.48
<b>1102D</b>	<b>3/8"</b>	I	.75	.57	2.09	.24	2.56
<b>1114D</b>	<b>7/16"</b>	I	.75	.67	2.09	.31	2.56
<b>1116D</b>	<b>1/2"</b>	II	.75	.75	2.09	.35	2.56
<b>1118D</b>	<b>9/16"</b>	II	.79	.79	2.09	.43	2.56
<b>1120D</b>	<b>5/8"</b>	II	.93	.93	2.09	.43	2.56
<b>1122D</b>	<b>11/16"</b>	II	.94	.94	2.09	.43	2.56
<b>1124D</b>	<b>3/4"</b>	II	1.02	1.02	2.09	.43	2.56
<b>1126D</b>	<b>13/16"</b>	II	1.10	1.10	2.09	.59	2.56
<b>1128D</b>	<b>7/8"</b>	II	1.18	1.18	2.09	.59	2.56
<b>1130D</b>	<b>15/16"</b>	II	1.26	1.26	2.09	.63	2.56
<b>1132D</b>	<b>1"</b>	II	1.34	1.34	2.09	.63	2.56

ANSI Specifications B107.2

3/8"

## 12 Deep Length - Metric Sizes MM



Item Number	12-Point Size	Shape	Dimensions (Millimeters)				
			A	B	C	D	E
<b>1107MD</b>	<b>7mm</b>	I	19	11.5	51	5	63
<b>1108MD</b>	<b>8mm</b>	I	19	12.5	51	6	63
<b>1109MD</b>	<b>9mm</b>	I	19	14.0	53	6	65
<b>1110MD</b>	<b>10mm</b>	I	19	15.0	53	7	65
<b>1111MD</b>	<b>11mm</b>	I	19	17.0	53	8	65
<b>1112MD</b>	<b>12mm</b>	II	19	19.0	53	9	65
<b>1113MD</b>	<b>13mm</b>	II	19	19.0	53	9	65
<b>1114MD</b>	<b>14mm</b>	II	20	20.0	53	11	65
<b>1115MD</b>	<b>15mm</b>	II	22	22.0	53	11	65
<b>1116MD</b>	<b>16mm</b>	II	24	24.0	53	11	65
<b>1117MD</b>	<b>17mm</b>	II	24	24.0	53	11	65
<b>1118MD</b>	<b>18mm</b>	II	25	25.0	53	13	65
<b>1119MD</b>	<b>19mm</b>	II	26	26.0	53	13	65
<b>1120MD</b>	<b>20mm</b>	II	28	28.0	53	13	65
<b>1121MD</b>	<b>21mm</b>	II	28	28.0	53	15	65
<b>1122MD</b>	<b>22mm</b>	II	30	30.0	53	15	65