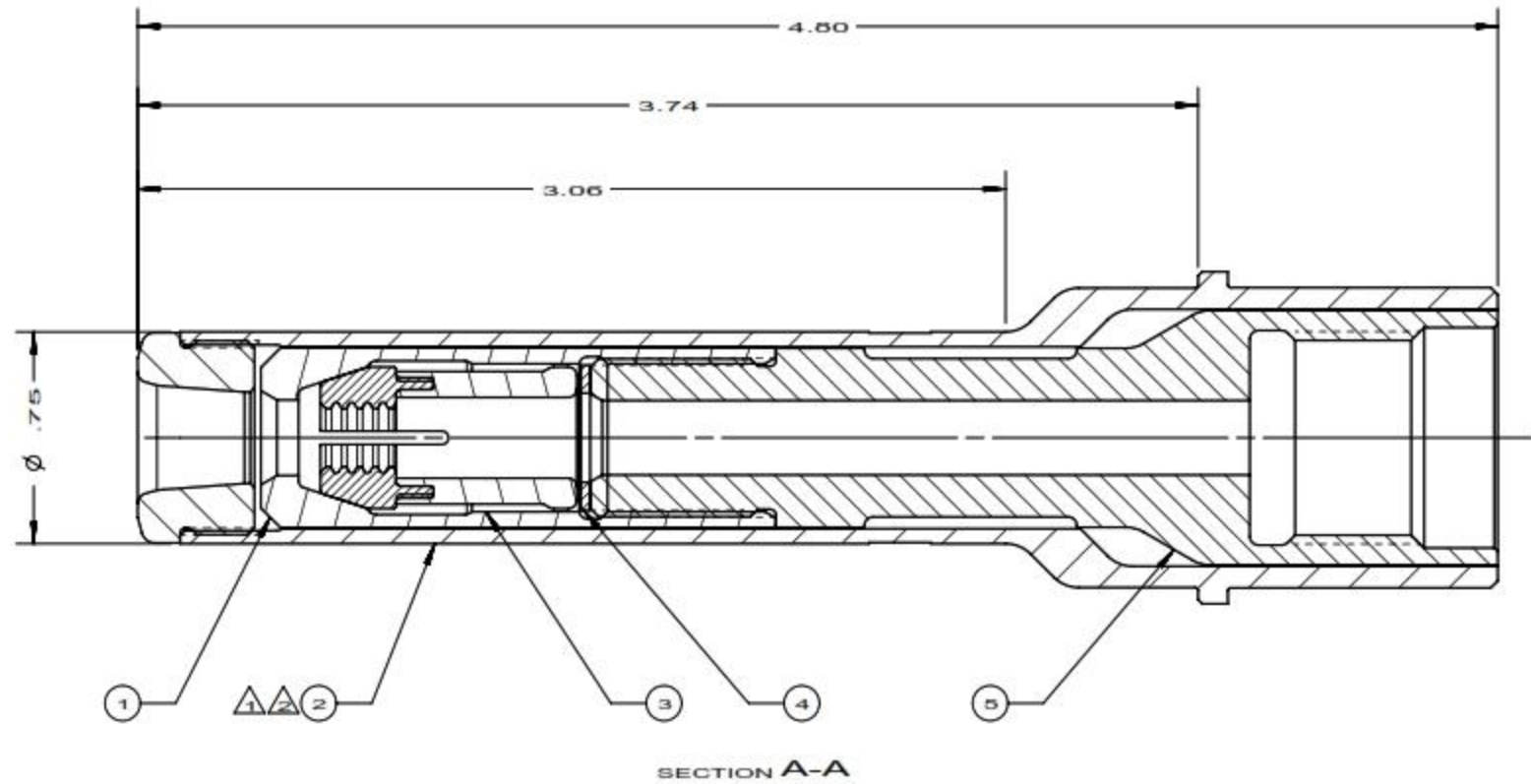
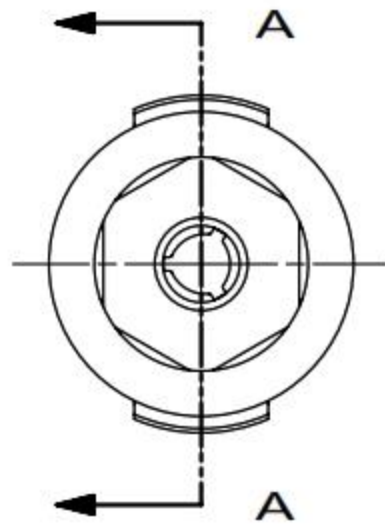


REV	DESCRIPTION	DATE
G	MODELED IN UG	07/19/06



SECTION A-A

NOTES:

△ ANVIL ASSY. 120639 CONSISTS OF:
 (1) 120718 ANVIL HOLDER AND
 (1) 120625 ANVIL INSERT
 BOTH ARE AVAILABLE INDIVIDUALLY.

△ ANVIL INSERT WRENCH 125400 IS
 OPTIONALLY AVAILABLE.

126110	1	EXTENSION	5
127776	1	SPACER	4
127330	1	UNITIZED CHUCK JAWS	3
120639	1	ANVIL ASSEMBLY	2
124604	1	COLLET	1
PART NO.	QTY.	DESCRIPTION	ITEM

HUCK INTERNATIONAL, INC., I.S.D.
 1 CORPORATE DR., P.O. BOX 3270
 KINGSTON, NEW YORK 12401

NOSE ASSEMBLY
 -.05 MG

DET. JLK DATE: 05/05/05 SCALE: 2:1

FOC. B 99-3207
 FAC.