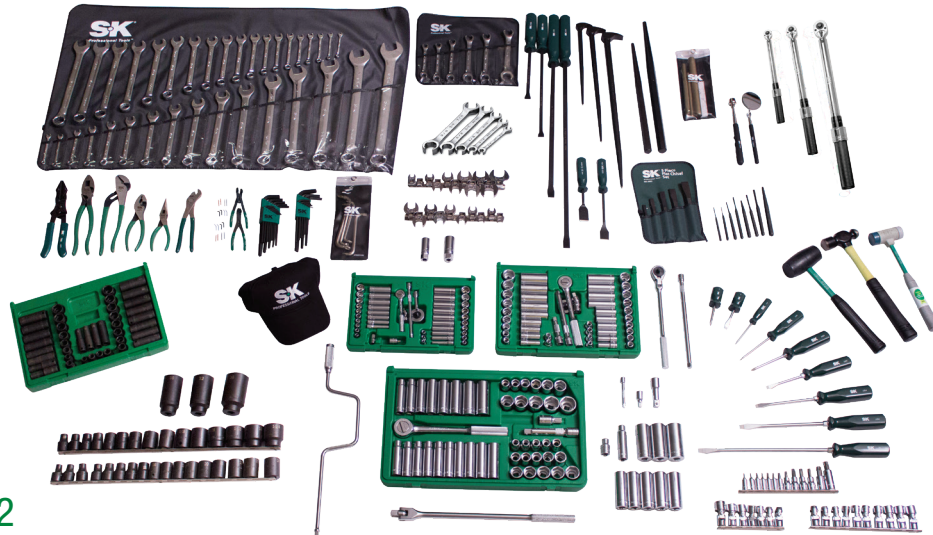




No. VTS03203

Automotive Starter Set - 143 Piece Set Includes:

PART NO.	SET COUNT	DESCRIPTION	PART NO.	SET COUNT	DESCRIPTION
17835	1	5 Piece General Purpose Pliers Set	8524	1	24 oz. Ball Peen Hammer
40190	1	1/2" Drive Universal	86006	9	9 Piece SureGrip® Combination Screwdriver Set
4147-6	47	47 Piece, 1/2" Drive, 6 Point Socket Set	86013	13	13 Piece, 12 Point, Fractional Combination Wrench Set
45159	1	3/8" Drive Chrome Extension, 1.5"	86222	14	14 Piece, 12 Point, Metric Combination Wrench Set
6651	1	Carbon Scraper	94549	49	49 Piece, 3/8" Drive, 6 Point Socket Set
8012	1	12" Adjustable Wrench		1	SK Hat
8516	1	16 oz. Ball Peen Hammer			



No. VTS03222

Automotive Master Set - 412 Piece Set Includes:

QTY.	DESCRIPTION	QTY.	DESCRIPTION
41	1/4" Drive Chrome Sockets (3/16" to 9/16"; 4mm to 15mm)	11	Flare Nut Wrenches (1/4" to 7/8"; 9mm to 21mm)
44	3/8" Drive Chrome Sockets (1/4" to 7/8"; 6mm to 19mm)	22	Hex Key Sets (1/16" to 3/8"; 1.5mm to 10mm)
17	3/8" Drive Chrome Flex Sockets (3/8" to 3/4"; 10mm to 19mm)	8	Assorted Pliers
2	3/8" Drive Spark Plug Sockets (5/8", 13/16")	9	SureGrip® Screwdrivers (Phillips, and Keystone Slotted)
55	1/2" Drive Chrome Sockets (1/2" to 1 1/8"; 10mm to 24mm)	4	Offset Screwdriver Set (1/4", 5/16", P1, P2, P3, P4)
13	TORX® Bit Socket Set (T8 to T60)	3	Micrometer Adjustable Torque Wrenches
40	3/8" Drive Impact Sockets (5/16" to 3/4"; 8mm to 19mm)	30	Hammers, Punches, Scrapers and Pry Bars
35	1/2" Drive Impact Socket Set (3/8" to 1 1/4"; 8mm to 36mm)	2	Telescoping Mirror and Magentic Pick-Up Tool
35	12 Point Combination Wrenches (1/4" to 1 1/4"; 6mm to 24mm)	20	Drive Tools in 1/4", 3/8" and 1/2" Drive
21	3/8" Drive Crowfoot Wrench Set (3/8" to 1"; 10mm to 19mm)	1	SK Hat



No. VTS03303

Diesel Starter Set - 164 Piece Set Includes:

PART NO.	SET COUNT	DESCRIPTION	PART NO.	SET COUNT	DESCRIPTION
94549	49	3/8" Drive, 6 Point, Fractional and Metric Socket Set	86013	13	12 Point Fractional Combination Wrench Set
4147-6	47	1/2" Drive, 6 Point, Fractional and Metric Socket Set	86222	14	12 Point Metric Combination Wrench Set
84213	13	TORX® Bit Socket Set	7206	1	Combination Slip Joint Pliers, 6"
41652	1	1/2" Drive Chrome Flex Handle, 16"	7510	1	Tongue & Groove Pliers, 10"
45159	1	3/8" Drive Chrome Extension, 1.5"	8010	1	Adjustable Wrench, 10"
19760	10	Female TORX® Socket Set	16107	1	Heavy Duty Diagonal Pliers, 7"
40162	1	1/2" Drive Chrome Extension, 10"	16616	1	Chain Nose Pliers With Cutter, 6"
40190	1	1/2" Drive Chrome Universal	SKHAT	1	SK Hat
86006	9	SureGrip® Combination Screwdriver Set			



No. VTS03322

Diesel Master Set - 398 Piece Set Includes:

QTY.	DESCRIPTION	QTY.	DESCRIPTION
41	1/4" Drive Chrome Sockets (3/16" to 9/16"; 4mm to 15mm)	22	Hex Key Sets
44	3/8" Drive Chrome Sockets (1/4" to 7/8"; 6mm to 19mm)	9	Assorted Pliers
10	1/4" Drive Flex Sockets (5mm to 14mm)	9	SureGrip® Screwdrivers (Phillips & Keystone Slotted)
55	1/2" Drive Chrome Sockets (1/2" to 1 1/8"; 10mm to 25mm)	4	Offset Screwdrivers (1/4", 5/16", P1, P2, P3, P4)
38	TORX® & Female/E-TORX® Bit Sockets	3	Micrometer Adjustable Torque Wrenches
20	3/8" Drive Impact Sockets (5/16" to 3/4"; 8mm to 19mm)	15	Hammers, Punches, Scrapers, and Pry Bars
37	1/2" Drive Impact Sockets (3/8" to 1 1/4"; 10mm to 32mm)	2	Telescoping Mirror and Magnetic Pick-Up Tool
27	12 Point Combination Wrenches (1/4" to 1"; 6mm to 19mm)	12	1/4", 3/8" & 1/2" Drive Tools
2	6" & 12" Adjustable Wrenches	1	SK Hat
11	Flare Nut Wrenches (1/4" to 7/8"; 9mm to 21mm)		

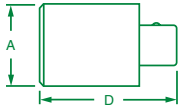
Adapters

Added Versatility

Extend the performance capabilities of your S•K tool set with our line of adapters.

SuperKrome® Finish

High polish SuperKrome® plating results in a jewelry-like finish, providing long life and maximum corrosion resistance.



Adapters

PART NO.	SIZE	A	D
385	1/4"F-3/8"M Drive	0.50	0.94
384	3/8"F-1/4"M Drive	0.68	1.12
451	3/8"F-1/2"M Drive	0.68	1.31
401	1/2"F-3/8"M Drive	0.87	1.36
407	1/2"F-3/4"M Drive	1.00	1.87
409	3/4"F-1/2"M Drive	1.38	2.00
40995	1/4"F-1/4"M Drive, Locking	0.50	1.78
45195	3/8" Drive, Chrome, Locking	0.50	1.78



SuperKrome® Finish

**SUPERKROME
TESTED TOUGH**

Added Versatility



No. 4506

5 Piece, Chrome Adapter Set Includes:

PART NO.	SIZE	PART NO.	SIZE
385	1/4"F-3/8"M Drive	407	1/2"F-3/4"M Drive
384	3/8"F-1/4"M Drive	451	3/8"F-1/2"M Drive
401	1/2"F-3/8"M Drive		

Packaged on a rail.



No. 4010

9 Piece, Universal/Adapter Set Includes:

PART NO.	DESCRIPTION	PART NO.	DESCRIPTION
33990	3/8" Impact Universal	384	3/8"F-1/4"M Drive, Adapter
34990	1/2" Impact Universal	451	3/8"F-1/2"M Drive, Adapter
40990	1/4" Chrome Universal	401	1/2"F-3/8"M Drive, Adapter
45190	3/8" Chrome Universal	407	1/2"F-3/4"M Drive Adapter
385	1/4"F-3/8"M Drive Adapter		

Packaged in a molded plastic case.



No. 4518

8 Piece, Chrome Universal/Adapter Set Includes:

PART NO.	DESCRIPTION	PART	DESCRIPTION
385	1/4"F-3/8"M Drive, Adapter	451	3/8"F-1/2"M Drive, Adapter
384	3/8"F-1/4"M Drive, Adapter	40990	1/4" Drive Universal Joint
401	1/2"F-3/8"M Drive, Adapter	45190	3/8" Drive Universal Joint
407	1/2"F-3/4"M Drive, Adapter	40190	1/2" Drive Universal Joint

Packaged on a rail

SOCKETS, RATCHETS, AND BITS

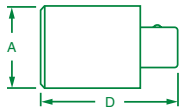
Adapters

Added Versatility

Extend the performance capabilities of your S•K tool set with our line of adapters.

SuperKrome® Finish

High polish SuperKrome® plating results in a jewelry-like finish, providing long life and maximum corrosion resistance.



**SUPERKROME
TESTED TOUGH**

Adapters

PART NO.	SIZE	A	D
385	1/4"F-3/8"M Drive	0.50	0.94
384	3/8"F-1/4"M Drive	0.68	1.12
451	3/8"F-1/2"M Drive	0.68	1.31
401	1/2"F-3/8"M Drive	0.87	1.36
407	1/2"F-3/4"M Drive	1.00	1.87
409	3/4"F-1/2"M Drive	1.38	2.00
40995	1/4"F-1/4"M Drive, Locking	0.50	1.78
45195	3/8" Drive, Chrome, Locking	0.50	1.78

*Kit Includes: One Replacement Screw

No. 4506

5 Piece, Chrome Adapter Set Includes:

PART NO.	SIZE	PART NO.	SIZE
385	1/4"F-3/8"M Drive	407	1/2"F-3/4"M Drive
384	3/8"F-1/4"M Drive	451	3/8"F-1/2"M Drive
401	1/2"F-3/8"M Drive		

Packaged on a rail.



No. 4518

8 Piece, Chrome Universal/Adapter Set Includes:

PART NO.	DESCRIPTION	PART	DESCRIPTION
385	1/4"F-3/8"M Drive, Adapter	451	3/8"F-1/2"M Drive, Adapter
384	3/8"F-1/4"M Drive, Adapter	40990	1/4" Drive Universal Joint
401	1/2"F-3/8"M Drive, Adapter	45190	3/8" Drive Universal Joint
407	1/2"F-3/4"M Drive, Adapter	40190	1/2" Drive Universal Joint

Packaged on a rail.



No. 4010

9 Piece, Universal/Adapter Set Includes:

PART NO.	DESCRIPTION	PART	DESCRIPTION
33990	3/8" Impact Universal	384	3/8"F-1/4"M Drive, Adapter
34990	1/2" Impact Universal	451	3/8"F-1/2"M Drive, Adapter
40990	1/4" Chrome Universal	401	1/2"F-3/8"M Drive, Adapter
45190	3/8" Chrome Universal	407	1/2"F-3/4"M Drive Adapter
385	1/4"F-3/8"M Drive Adapter		

Packaged in a molded plastic case.

Professional Ratchets

Made in the U.S.A.

You can count on the quality workmanship and value of these American made sockets.



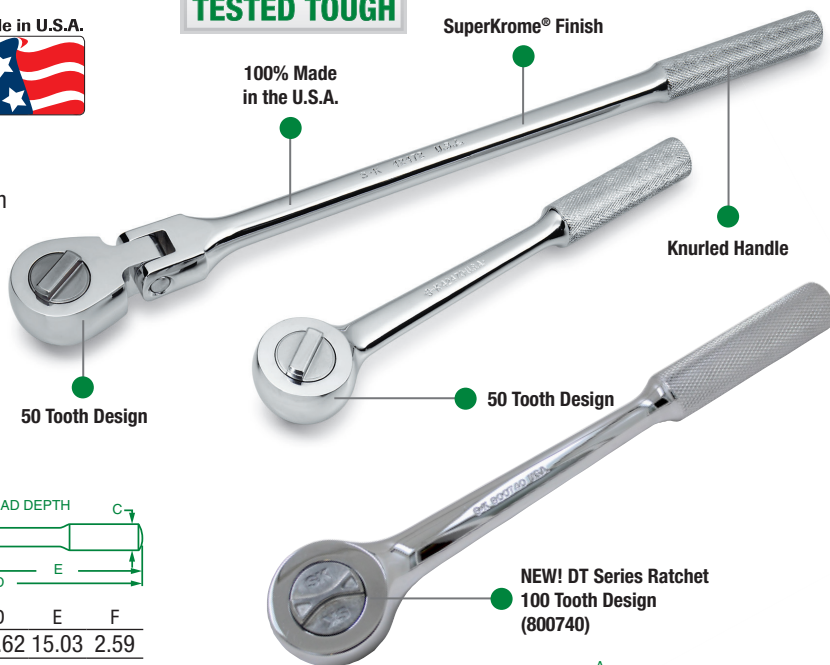
Smooth Ratcheting Action

Completely enclosed ratchet mechanism with triple tooth contact for smooth ratcheting action with little back movement. Diamond knurled grip for sure handling.

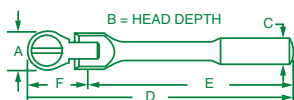
SuperKrome® Finish

High polish SuperKrome® plating results in a jewelry-like finish, providing long life and maximum corrosion resistance.

**SUPERKROME
TESTED TOUGH**



1/2" Drive Professional Flex Head Ratchet



PART NO.	SIZE	A	B	C	D	E	F
42472	17.6"	1.86	0.80	0.75	17.62	15.03	2.59

Rebuild and Repair Kits for 42472

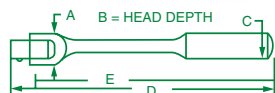
REBUILD KIT* PART NO.	REPAIR KIT** PART NO.
42470-2	42470-9

*Kit Includes: Cap, Inner Body, Clip Spring and Grease

**Kit Includes: Pawl, Stem Pin, Clip Spring and Grease



1/2" Drive Flex Head Handles



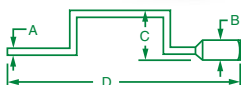
PART NO.	REPAIR KIT* PART NO.	REPAIR KIT** PART NO.	SIZE	A	B	C	D	E
41650	—	—	9"	1.10	0.87	0.75	9.00	7.95
41652	41653-9	41654-9A	16"	1.10	0.87	0.75	16.00	15.03
41654	41653-9	41654-9A	24"	1.10	0.87	1.00	23.50	22.50
41656	—	41654-9A	30"	1.10	0.87	1.02	30.62	30.00

*Kit Includes: Pin, Lockwasher, and Square Drive Head

**Kit Includes: Screw, Lockwasher, and Square Drive Head

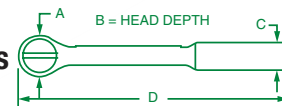


1/2" Drive Speeder Handle



PART NO.	SIZE	A	B	C	D
40181	18.1"	0.50	0.78	4.53	18.12

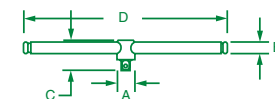
1/2" Drive Reversible Ratchets



PART NO.	REBUILD KIT* PART NO.	REPAIR KIT** PART NO.	SIZE	A	B	C	D
42470	42470-2	42470-9	10.3"	1.85	0.80	0.84	10.25
40170	42470-2	42470-9	15"	1.94	0.80	0.81	15.06
800740	800740-2	—	10.3"	1.85	0.80	0.84	10.25

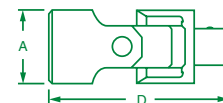
*Kit Includes: Cap, Inner Body, Clip Spring and Grease

**Kit Includes: Pawl, Stem Pin, Clip Spring and Grease



1/2" Drive Sliding T-Handle

PART NO.	SIZE	A	B	C	D
40150	10.8"	0.91	0.55	1.61	10.83



1/2" Drive Universal Joint

PART NO.	A	D
40190	1.00	2.61

SOCKETS, RATCHETS, AND BITS

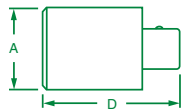
Adapters

Added Versatility

Extend the performance capabilities of your S•K tool set with our line of adapters.

SuperKrome® Finish

High polish SuperKrome® plating results in a jewelry-like finish, providing long life and maximum corrosion resistance.



No. 4506

5 Piece, Chrome Adapter Set Includes:

PART NO.	SIZE	PART NO.	SIZE
385	1/4"F-3/8"M Drive	407	1/2"F-3/4"M Drive
384	3/8"F-1/4"M Drive	451	3/8"F-1/2"M Drive
401	1/2"F-3/8"M Drive		

Packaged on a rail.

Adapters

PART NO.	SIZE	A	D
385	1/4"F-3/8"M Drive	0.50	0.94
384	3/8"F-1/4"M Drive	0.68	1.12
451	3/8"F-1/2"M Drive	0.68	1.31
401	1/2"F-3/8"M Drive	0.87	1.36
407	1/2"F-3/4"M Drive	1.00	1.87
409	3/4"F-1/2"M Drive	1.38	2.00
40995	1/4"F-1/4"M Drive, Locking	0.50	1.78
45195	3/8" Drive, Chrome, Locking	0.50	1.78



No. 4518

8 Piece, Chrome Universal/Adapter Set Includes:

PART NO.	DESCRIPTION	PART	DESCRIPTION
385	1/4"F-3/8"M Drive, Adapter	451	3/8"F-1/2"M Drive, Adapter
384	3/8"F-1/4"M Drive, Adapter	40990	1/4" Drive Universal Joint
401	1/2"F-3/8"M Drive, Adapter	45190	3/8" Drive Universal Joint
407	1/2"F-3/4"M Drive, Adapter	40190	1/2" Drive Universal Joint

Packaged on a rail.



No. 4010

9 Piece, Universal/Adapter Set Includes:

PART NO.	DESCRIPTION	PART NO.	SIZE
33990	3/8" Impact Universal	384	3/8"F-1/4"M Drive, Adapter
34990	1/2" Impact Universal	451	3/8"F-1/2"M Drive, Adapter
40990	1/4" Chrome Universal	401	1/2"F-3/8"M Drive, Adapter
45190	3/8" Chrome Universal	407	1/2"F-3/4"M Drive Adapter
385	1/4"F-3/8"M Drive Adapter		

Plastic molded plastic case.



No. 4116

16 Piece, 1/2" Drive, 12 Point, Standard Fractional Socket Set Includes:

PART NO.	SIZE	PART NO.	SIZE	PART NO.	SIZE	PART NO.	SIZE
40214	7/16"	40122	11/16"	40130	15/16"	40140	1 1/4"
40216	1/2"	40124	3/4"	40132	1"		
40218	9/16"	40126	13/16"	40134	1 1/16"		
40120	5/8"	40128	7/8"	40136	1 1/8"		
42470	10.3" Ratchet			40161	5" Extension		
41652	16" Flex Handle						

Packaged in a molded plastic case.



No. 4116-6

16 Piece, 1/2" Drive, 6 Point, Standard Fractional Socket Set Includes:

PART NO.	SIZE	PART NO.	SIZE	PART NO.	SIZE	PART NO.	SIZE
40114	7/16"	41122	11/16"	41130	15/16"	41140	1 1/4"
40116	1/2"	41124	3/4"	41132	1"		
40118	9/16"	41126	13/16"	41134	1 1/16"		
41120	5/8"	41128	7/8"	41136	1 1/8"		
42470	10.3" Ratchet			40161	5" Extension		
41652	16" Flex Handle						

Packaged in a molded plastic case.



No. 4123-6

23 Piece, 1/2" Drive, 6 Point, Standard and Deep Fractional Socket Set Includes:

STANDARD SOCKETS	SIZE	STANDARD SOCKETS	SIZE	DEEP SOCKETS	SIZE	DEEP SOCKETS	SIZE
40114	7/16"	41128	7/8"	41816	1/2"	41824	3/4"
40116	1/2"	41130	15/16"	41818	9/16"	41826	13/16"
40118	9/16"	41132	1"	41820	5/8"	41828	7/8"
41120	5/8"	41134	1 1/16"	41822S	11/16"		
41122	11/16"	41136	1 1/8"				
41124	3/4"	41140	1 1/4"				
41126	13/16"						
42470	10.3" Ratchet			40161	5" Extension		
41652	16" Flex Handle						

Packaged in a molded plastic case.



No. 4128-6

28 Piece, 1/2" Drive, 6 Point, Standard and Deep Fractional Socket Set Includes:

STANDARD SOCKETS	SIZE	STANDARD SOCKETS	SIZE	DEEP SOCKETS	SIZE	DEEP SOCKETS	SIZE
40112	3/8"	41126	13/16"	41816	1/2"	41830	15/16"
40114	7/16"	41128	7/8"	41818	9/16"	41832	1"
40116	1/2"	41130	15/16"	41820	5/8"		
40118	9/16"	41132	1"	41822S	11/16"		
41120	5/8"	41134	1 1/16"	41824	3/4"		
41122	11/16"	41136	1 1/8"	41826	13/16"		
41124	3/4"	41140	1 1/4"	41828	7/8"		
42470	10.3" Ratchet			40160	2" Extension		
41652	16" Flex Handle			40161	5" Extension		
40190	Universal Joint						

Packaged in an impact resistant molded tool chest.



**SUPERKROME
TESTED TOUGH**

No. 4123

23 Piece, 1/2" Drive, 12 Point, Standard and Deep Fractional Socket Set Includes:

STANDARD SOCKETS	SIZE	STANDARD SOCKETS	SIZE	DEEP SOCKETS	SIZE	DEEP SOCKETS	SIZE
40214	7/16"	40128	7/8"	40816	1/2"	40824	3/4"
40216	1/2"	40130	15/16"	40818	9/16"	40826	13/16"
40218	9/16"	40132	1"	40820	5/8"	40828	7/8"
40120	5/8"	40134	1 1/16"	40822	11/16"		
40122	11/16"	40136	1 1/8"				
40124	3/4"	40140	1 1/4"				
40126	13/16"						
42470 10.3" Ratchet				40161 5" Extension			
41652 16" Flex Handle							

Packaged in a molded plastic case.



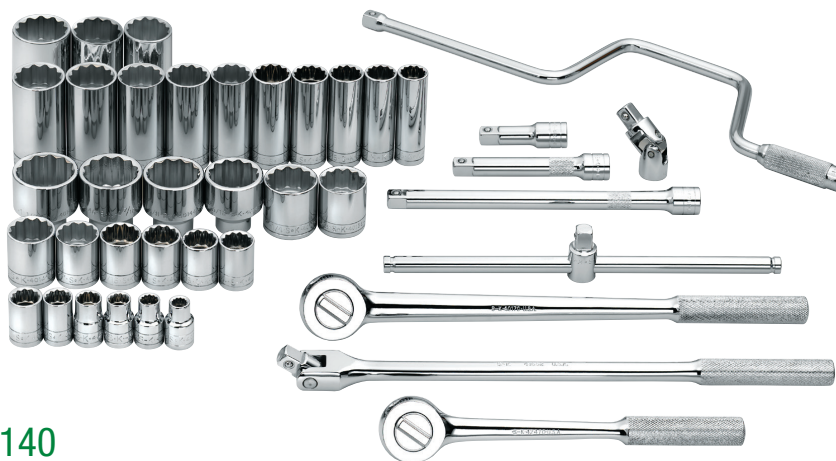
No. 4130

30 Piece, 1/2" Drive, 12 Point, Standard and Deep Fractional Socket Set Includes:

STANDARD SOCKETS	SIZE	STANDARD SOCKETS	SIZE	DEEP SOCKETS	SIZE	DEEP SOCKETS	SIZE
40212	3/8"	40126	13/16"	40816	1/2"	40830	15/16"
40214	7/16"	40128	7/8"	40818	9/16"	40832	1"
40216	1/2"	40130	15/16"	40820	5/8"	40834	1 1/16"
40218	9/16"	40132	1"	40822	11/16"	40836	1 1/8"
40120	5/8"	40134	1 1/16"	40824	3/4"	40840	1 1/4"
40122	11/16"	40136	1 1/8"	40826	13/16"		
40124	3/4"	40140	1 1/4"	40828	7/8"		
42470 10.3" Ratchet				40161 2" Extension			
41652 16" Flex Handle				40162 5" Extension			

Packaged in an impact resistant molded tool chest.

SOCKETS, RATCHETS, AND BITS



No. 4140

40 Piece, 1/2" Drive, 12 Point, Standard and Deep Fractional Socket Set Includes:

STANDARD SOCKETS	SIZE	STANDARD SOCKETS	SIZE	STANDARD SOCKETS	SIZE	DEEP SOCKETS	SIZE	DEEP SOCKETS	SIZE	DEEP SOCKETS	SIZE
40212	3/8"	40124	3/4"	40136	1 1/8"	40816	1/2"	40828	7/8"	40840	1 1/4"
40214	7/16"	40126	13/16"	40140	1 1/4"	40818	9/16"	40830	15/16"		
40216	1/2"	40128	7/8"	40142	1 5/16"	40820	5/8"	40832	1"		
40218	9/16"	40130	15/16"	40144	1 3/8"	40822	11/16"	40834	1 1/16"		
40120	5/8"	40132	1"	40146	1 7/16"	40824	3/4"	40836	1 1/8"		
40122	11/16"	40134	1 1/16"	40148	1 1/2"	40826	13/16"	40838	1 3/16"		
42470 10.3" Ratchet				40150 Sliding T-Handle				40159 3" Extension			
40170 15" Ratchet				40181 Speeder Handle				40161 5" Extension			
41652 16" Flex Handle				40190 Universal Joint				40162 10" Extension			

Packaged in an impact resistant molded tool chest.

Standard Sockets

Made in the U.S.A.

You can count on the quality workmanship and value of these American made sockets.



SureGrip® Drive Design

The SureGrip® Drive Design drives the side of the fastener, not the corner. This not only provides increased strength, but also avoids the rounding of rusted or damaged fasteners, which can occur when using a sharp-cornered hex tool.

SuperKrome® Finish

High polish SuperKrome® plating results in a jewelry-like finish, providing long life and maximum corrosion resistance.



No. 1933

33 Piece, 1/2" Drive, 12 Point, Deep Metric Socket Set Includes:

STANDARD SOCKETS	SIZE	STANDARD SOCKETS	SIZE	STANDARD SOCKETS	SIZE	STANDARD SOCKETS	SIZE	DEEP SOCKETS	SIZE	DEEP SOCKETS	SIZE
40310	10mm	40315	15mm	40320	20mm	40325	25mm	48010	10mm	48015	15mm
40311	11mm	40316	16mm	40321	21mm	40326	26mm	48011	11mm	48016	16mm
40312	12mm	40317	17mm	40322	22mm	40327	27mm	48012	12mm	48017	17mm
40313	13mm	40318	18mm	40323	23mm	40328	28mm	48013	13mm	48018	18mm
40314	14mm	40319	19mm	40324	24mm			48014	14mm	48019	19mm
42470	10.3" Ratchet			40161	5" Extension			40162	10" Extension		
41652	16" Flex Handle										

Packaged in an impact resistant molded tool chest.



No. 1942

54 Piece, 1/2" Drive, 12 Point, Deep Metric Socket Set Includes:

STANDARD SOCKETS	SIZE	STANDARD SOCKETS	SIZE	STANDARD SOCKETS	SIZE	STANDARD SOCKETS	SIZE	DEEP SOCKETS	SIZE	DEEP SOCKETS	SIZE	DEEP SOCKETS	SIZE	DEEP SOCKETS	SIZE
40310	10mm	40316	16mm	40322	22mm	40328	28mm	48010	10mm	48016	16mm	48022	22mm	48028	28mm
40311	11mm	40317	17mm	40323	23mm	40329	29mm	48011	11mm	48017	17mm	48023	23mm	48030	30mm
40312	12mm	40318	18mm	40324	24mm	40330	30mm	48012	12mm	48018	18mm	48024	24mm	48032	32mm
40313	13mm	40319	19mm	40325	25mm	40331	31mm	48013	13mm	48019	19mm	48025	25mm		
40314	14mm	40320	20mm	40326	26mm	40332	32mm	48014	14mm	48020	20mm	48026	26mm		
40315	15mm	40321	21mm	40327	27mm	40336	36mm	48015	15mm	48021	21mm	48027	27mm		
42470	10.3" Ratchet			40150	Sliding T-Handle			40190	Universal Joint			40161	3" Extension		
40170	15" Ratchet			40181	Speeder Handle			40159	3" Extension			40162	10" Extension		
41652	16" Flex Handle														

Packaged in an impact resistant molded tool chest.

**SUPERKROME
TESTED TOUGH**

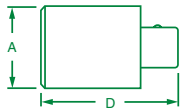
Adapters

Added Versatility

Extend the performance capabilities of your S•K tool set with our line of adapters.

SuperKrome® Finish

High polish SuperKrome® plating results in a jewelry-like finish, providing long life and maximum corrosion resistance.



Adapters

PART NO.	SIZE	A	D
385	1/4" F-3/8" M Drive	0.50	0.94
384	3/8" F-1/4" M Drive	0.68	1.12
451	3/8" F-1/2" M Drive	0.68	1.31
401	1/2" F-3/8" M Drive	0.87	1.36
407	1/2" F-3/4" M Drive	1.00	1.87
409	3/4" F-1/2" M Drive	1.38	2.00
40995	1/4" F-1/4" M Drive, Locking	0.50	1.78
45195	3/8" Drive, Chrome, Locking	0.50	1.78

No. 4506

5 Piece, Chrome Adapter Set Includes:

PART NO.	SIZE	PART NO.	SIZE
385	1/4" F-3/8" M Drive	407	1/2" F-3/4" M Drive
384	3/8" F-1/4" M Drive	451	3/8" F-1/2" M Drive
401	1/2" F-3/8" M Drive		

Packaged on a rail.



No. 4518

8 Piece, Chrome Universal/Adapter Set Includes:

PART NO.	DESCRIPTION	PART	DESCRIPTION
385	1/4" F-3/8" M Drive, Adapter	451	3/8" F-1/2" M Drive, Adapter
384	3/8" F-1/4" M Drive, Adapter	40990	1/4" Drive Universal Joint
401	1/2" F-3/8" M Drive, Adapter	45190	3/8" Drive Universal Joint
407	1/2" F-3/4" M Drive, Adapter	40190	1/2" Drive Universal Joint

Packaged on a rail.



No. 4010

9 Piece, Universal/Adapter Set Includes:

PART NO.	DESCRIPTION	PART NO.	SIZE
33990	3/8" Impact Universal	384	3/8" F-1/4" M Drive, Adapter
34990	1/2" Impact Universal	451	3/8" F-1/2" M Drive, Adapter
40990	1/4" Chrome Universal	401	1/2" F-3/8" M Drive, Adapter
45190	3/8" Chrome Universal	407	1/2" F-3/4" M Drive Adapter
385	1/4" F-3/8" M Drive Adapter		

Plastic molded plastic case.