

13

AIR BRAKE TOOLS

BENDIX ADB22X™ AIR DISC BRAKE TOOL KITS

These kits provide specialized tools for the replacement of Bendix® air disc brake tappet and boot assemblies, tappet inner seals, and guide pins and boots.



ADB22X COMPLETE KIT 80000 (BENDIX #K029164)

Juego completo No. 80000 ADB22X
Kit complet ADB22X No. 80000

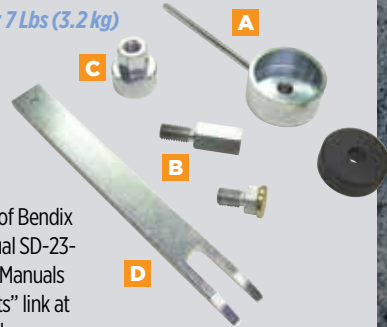
Weight: 22 Lbs (10 kg)

Includes Kit No. 80001 and Kit No. 80002 listed below:

TAPPET & BOOT 7 PC. REPLACEMENT TOOL KIT 80001 (BENDIX #K028829)

Juego de herramientas de reemplazo de balancines y capuchones
Kit d'outillage de remplacement de poussoir et de démarrage

Weight: 7 Lbs (3.2 kg)



See page 25 of Bendix Service Manual SD-23-7541 on the "Manuals and Parts Lists" link at www.kentool.com.

Bendix No.	Ken-Tool No.	Description
T01	80101	KT01 Cup
A T02	80102	KT02 Handle for KT01 Cup
T03	80103	KT03 Swivel assembly made up of KT03-1 Short Body, KT03-2 Brass Disc, and KT03-3 Retaining Spring
B T04	80104	KT04 Long Strut
C T09	80109	KT09 Flange
D T15	80115	KT15 Fork
T24	80124	KT24 Black Nylon Disc

GUIDE PIN / PIN BOOT 13 PC. SERVICE TOOL KIT 80002 (BENDIX #K029107)

Juego de herramientas para servicio del pasador guía/capuchón del pasador
Kit d'outillage d'entretien de broche de démarrage / broche de guidage

Weight: 15 Lbs (6.8 kg)

For detailed instructions, see the Bendix ADB22X service manual SD-23-7541 on the "Manuals and Parts Lists" link at www.kentool.com.



Bendix No.	Ken-Tool No.	Description
E T05	80105	KT05 1-3/8" Black Disc
F T06	80106	KT06 1-1/2" Black Disc
G T07	80107	KT07 2" Dia. Sleeve
T08	80108	KT08 2-1/8" Dia. Disc
T10	80110	KT10 8" Bolt
H T12	80112	KT12 3-7/8" Long Sleeve
T13	80113	KT13 10" Bolt
I T14	80114	KT14 Brass Nut
J T16	80116	KT16 Dimpling Tool made up of KT16-1 Main Body, KT16-2 Crimper Screw, KT16-3 Expansion Ring, KT16-4 Plunger, KT16-5 Dimpling Pins, and KT16-6 Set Screw
T20	80120	KT20 8" Bolt
K T21	80121	KT21 Half Sleeve
L T26	80126	KT26 Cap Tool made up of KT26-1 Retaining Ring, KT26-2 Mandrel and KT26-3 Sleeve
M T27	80127	KT27 Cap Tool made up of KT26-1 Retaining Ring, KT26-2 Mandrel and KT27-3 Sleeve

Washers included

AIR BRAKE SLACK ADJUSTERS

Ajustadores de holgura del freno de aire
Frein pneumatique



Avoid costly fines and downtime – make sure your brakes are always operating at their best! Slack Adjusters for Haldex®, Bendix®, and Meritor® Air Brake Systems



2 PC. AUTOMATIC SLACK ADJUSTER SET (MERITOR®) 33200

Weight: .7 lbs (.3 kg), Length: 12" (30.5 cm)

No more prying and risking damaging the anti-reverse mechanism! Set includes 33200-01 Fork End Tool (holds release of anti-reverse pin during adjustment) and 33200-02 5/16" ratchet size with double square offset reversible wrench (allows more power with less fatigue). Ergonomic slip resistant molded resin handles.



HALDEX® SLACK ADJUSTER TOOL 33205

Weight: .65 lbs (.29 kg), Length: 14.5" (36.8 cm)

7/16" ratchet size, extra long 14.5" handle adds leverage and makes overcoming the anti-reverse mechanism easier than ever! Vinyl grip is slip resistant and protects ratchet head.



BENDIX® SLACK ADJUSTER TOOL 33206

Weight: 1 lb (.5 kg), Length: 14.5" (36.8 cm)

9/16" ratchet size, deeper Hex allows reach to recessed slack adjusters. A must have tool for owner / operators!



4 PC. AUTOMATIC SLACK ADJUSTER TOOL SET 33210

Weight: 2.5 lbs (1.1 kg)

Set includes 33200 2 Pc. Automatic Slack Adjuster Set (Meritor®), 33205 Haldex® Slack Adjuster Tool, 33206 Bendix® Slack Adjuster Tool