

**Models 1400, 1442, 1442E, 1444, 1444E
PowerLuber Grease Gun
Series "C"**



Note: Extra battery only included on Models 1444 and 1444E
Basic PowerLuber Model 1400





Table of Contents

	Page
General Power Tool Safety Warnings.....	2
Specific Safety.....	3
Service.....	4
Specifications.....	4
Tool Use and Care.....	4
General Description.....	5
Inspection.....	6
Operation.....	6-7
Charger Operation.....	8
Safety Instruction for Charger and Batteries.....	10
Exploded View and Parts List.....	11-13
Troubleshooting.....	14
French Version.....	15
German Version.....	28
Spanish Version.....	41

GENERAL POWER TOOL SAFETY
WARNINGS




 **WARNING**

Read all safety warnings and instructions. Failure to follow the warnings and instructions may result in electric shock, fire and/or serious injury.

Save all warnings and instructions for future reference.

The term "power tool" in the warnings refers to your mains-operated (corded) power tool or battery-operated (cordless) power tool.

- 1) **Work area safety**
 - a) **Keep work area clean and well lit. Cluttered or dark areas invite accidents.**
 - b) **Do not operate power tools in explosive atmospheres, such as in the presence of flammable liquids, gases or dust.** Power tools create sparks which may ignite the dust or fumes.
 - c) **Keep children and bystanders away while operating a power tool.** Distractions can cause you to lose control.
- 2) **Electrical safety**
 - a) **Power tool plugs must match the outlet. Never modify the plug in any way.** Do not use any adapter plugs with earthed (grounded) power tools. Unmodified plugs and matching outlets will reduce risk of electric shock.
 - b) **Avoid body contact with earthed or grounded surfaces such as pipes, radiators, ranges and refrigerators.** There is an increased risk of electric shock if your body is earthed or grounded.
 - c) **Do not expose power tools to rain or wet conditions.** Water entering a power tool will increase the risk of electric shock.
 - d) **Do not abuse the cord.** Never use the cord for carrying, pulling or unplugging the power tool. Keep cord away from heat, oil, sharp edges or moving parts. Damaged or entangled cords increase the risk of electric shock.
 - e) **When operating a power tool outdoors, use an extension cord suitable for outdoor use.** Use of a cord suitable for outdoor use reduces the risk of electric shock.
 - f) **If operating a power tool in a damp location is unavoidable, use a residual current device (RCD) protected supply.** Use of an RCD reduces the risk of electric shock.
NOTE: The term "residual current device (RCD)" may be replaced by the term "ground fault circuit interrupter (GFCI)" or "earth leakage circuit breaker (ELCB)".
- 3) **Personal safety**
 - a) **Stay alert, watch what you are doing and use common sense when operating a power tool. Do not use a power tool while you are tired or under the influence of drugs, alcohol or medication.** A moment of inattention while operating power tools may result in serious personal injury.
 - b) **Use personal protective equipment. Always wear eye protection.** Protective equipment such as dust mask, non-skid safety shoes, hard hat, or hearing protection used for appropriate conditions will reduce personal injuries.
 - c) **Prevent unintentional starting. Ensure the switch is in the off-position before connecting to power source and/or battery pack, picking up or carrying the tool.** Carrying power tools with your finger on the switch or energizing power tools that have the switch on invites accidents.
 - d) **Remove any adjusting key or wrench before turning the power tool on.** A wrench or a key left attached to a rotating part of the power tool may result in personal injury.

- e) **Do not overreach. Keep proper footing and balance at all times.** This enables better control of the power tool in unexpected situations.
 - f) **Dress properly. Do not wear loose clothing or jewelry. Keep your hair, clothing and gloves away from moving parts.** Loose clothes, jewelry or long hair can be caught in moving parts.
 - g) **If devices are provided for the connection of dust extraction and collection facilities, ensure these are connected and properly used.** Use of dust collection can reduce dust-related hazards.
- 4) Power tool use and care**
- a) **Do not force the power tool. Use the correct power tool for your application.** The correct power tool will do the job better and safer at the rate for which it was designed.
 - b) **Do not use the power tool if the switch does not turn it on and off.** Any power tool that cannot be controlled with the switch is dangerous and must be repaired.
 - c) **Disconnect the plug from the power source and/or the battery pack from the power tool before making any adjustments, changing accessories, or storing power tools.** Such preventive safety measures reduce the risk of starting the power tool accidentally.
 - d) **Store idle power tools out of the reach of children and do not allow persons unfamiliar with the power tool or these instructions to operate the power tool.** Power tools are dangerous in the hands of untrained users.
 - e) **Maintain power tools. Check for misalignment or binding of moving parts, breakage of parts and any other condition that may affect the power tool's operation. If damaged, have the power tool repaired before use.** Many accidents are caused by poorly maintained power tools.
 - f) **Keep cutting tools sharp and clean.** Properly maintained cutting tools with sharp cutting edges are less likely to bind and are easier to control.
 - g) **Use the power tool, accessories and tool bits etc. in accordance with these instructions, taking into account the working conditions and the work to be performed.** Use of the power tool for operations different from those intended could result in a hazardous situation.
- 5) Service**
- a) **Have your power tool serviced by a qualified repair person using only identical replacement parts.** This will ensure that the safety of the power tool is maintained.
- Specific Safety**
1. Always wear eye protection. The PowerLuber can generate up to 7,000 psi (482 bar).
 2. Use only Lincoln 1218, 1224, 1230 or 1236 outlet whip hoses. Grease injection injuries are a very serious injury. Hold the hose only in the area of the spring guard.
 3. Avoid accidental starting. Be sure switch is not depressed when inserting battery pack.
 4. Do not bend the hose so that it becomes kinked.
 5. Replace the hose at the first sign of wear, kink or damage to the outside jacket.
- Do not overreach. Keep proper footing and balance at all times. Proper footing and balance enable better control of the tool in unexpected situations.
- Use safety equipment. Always wear eye protection.
- Dust mask, non-skid safety shoes, hard hat, or hearing protection must be used for appropriate conditions.
-  Warning! To reduce the risk of injury, the user must read the instruction manual.
-  Separate collection. This product must not be disposed of with normal household waste.
-  **WARNING**

Grease gun can develop high pressure - up to 7,000 PSI (482 Bar). Use safety glasses and gloves for protection during operation. Keep hands clear of the exposed rubber portion of hose.

Models 1400, 1442, 1442E, 1444, 1444E

PowerLuber Grease Gun



Any other use not in accordance with instructions will result in loss of claim for warranty or liability.

Service

Tool service must be performed only by qualified repair personnel. Service or maintenance performed by unqualified personnel may result in a risk of injury.

When servicing a tool, use only identical replacement parts. Follow instructions in the Maintenance section of this manual. Use of unauthorized parts or failure to follow Maintenance Instructions may create a risk of shock or injury.

SPECIFICATIONS

Basic PowerLuber Model 1400

Operating Power, Volt	14.4
Maximum Operating Pressure, PSI (bar)	
- Low Output -	7,000 (482)
- High Output -	3,000 (206)
Grease Reservoir Capacity, oz. (g)	14.5 (411)
Operating Temperature Range, °F (°C)	0 to 122 (-18 to +50)
Operating Current, Amp	4.0
Rated Current, Amp	5.0
Lubricant (Grease)	Up to NLGI #2
Grease output oz./min. (gram/min)	
- Low Output (L)	3.8 (108)
- High Output (H)	8.5 (241)
Weight, Lbs. (Kg)	8.0 (3.6)

Accessories:

Battery NiCd Model 1401	
Output, VDC	14.4
Capacity, mAh	1700
Battery Charger Model 1410	
Charge time	1 Hour
Input, VAC (2.0 A)	120 V, 50-60 Hz
Battery Charger Model 1410E	
Charge time	1 Hour
Input, VAC (2.0 A)	230 V, 50 Hz
Outlet Hose Model 1230	
Pressure Rating, psi (Bar)	7,500 (510)
Length of the Hose, In (mm)	30 (760)

NOTE: Operating current and grease output data at 1,000 PSI (69 bar).

WARNING

Extreme pressure may cause nozzle extension or whip hose to burst. Use only Lincoln APPROVED hoses and follow whip hose instructions and warnings.

TOOL USE AND CARE

Do not use tool if switch does not turn it on or off. A tool that cannot be controlled with the switch is dangerous and must be repaired.

Do not continue to hold down trigger if grease gun is stalled. This could damage the motor or cause fire.

Disconnect battery pack from tool before making any adjustments, changing accessories, or storing the tool. Such preventive safety measures reduce the risk of starting the tool accidentally.

Store the tools out of reach of children and other untrained persons. Tools are dangerous in the hands of untrained users.

When battery pack is not in use, keep it away from other metal objects like: paper clips, coins, keys, nails, screws, or other small metal objects that can make a connection from one terminal to another. Shorting the battery terminals together may cause sparks, burns, or a fire.

Maintain tools with care. Check for misalignment or binding of moving parts, breakage of parts, and any other condition that may affect the tool's operation. If damaged, have the tool serviced before using. Many accidents are caused by poorly maintained tools.

Use only accessories that are recommended by Lincoln.

Only accessories that are capable of handling 7000 PSI (482 bar) should be used. Accessories that may be suitable for one tool may create a risk of injury when used on another tool.

Appropriate use

The PowerLuber was exclusively designed to pump and dispense lubricant using 14.4 volt battery power. The maximum specification ratings should not be exceeded.

Models and Components

Sales Model	Basic PowerLuber	Battery	Charger	Case
1442	1400	1401	1410	286135
1442E	1400	1401	1410E	286135
1444	1400	1401(2)	1410	286135
1444E	1400	1401(2)	1410E	286135

©

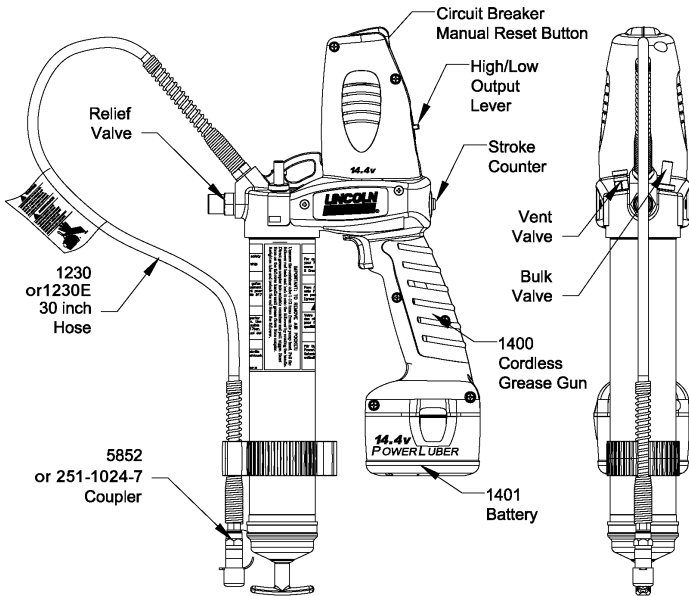


Figure 1

GENERAL DESCRIPTION

The Lincoln PowerLuber is a battery operated grease gun. The gun was developed for manual lubrication of grease points and includes a pressure Safety Valve, a circuit breaker and stroke counter.

The PowerLuber is driven by a small, low voltage electric motor connected to a three-stage planetary gear transmission. The rotary motion of the motor is converted into a reciprocating motion of the plunger using a yoke mechanism. The PowerLuber is a positive displacement single acting pump.

© Relief Valve

The relief valve (fig. 1) is factory set to relieve pressure above 7000 PSI (482 bar). The valve also is an indicator of the bearing and lubrication line conditions. If grease comes out of the Safety Valve, it indicates a clogged or tight bearing or fitting or line. Correct this before continuing lubrication with the PowerLuber.

Circuit Breaker

The circuit breaker is used for double protection of the motor. It will stop the motor if gun is run continuously at maximum pressure.

The circuit breaker also is an indication of the bearing or lubrication line conditions. If the red button is popping out this is an indication of clogged or tight bearing, clogged grease fitting or blocked lubrication line. Correct this before resetting and continue lubrication with PowerLuber.

Stroke counter

The tool is equipped with capability for calibration. This is accomplished by measuring (weighing) grease flow output and dividing the weight of grease by number of strokes. Simply put your thumb on the stroke counter button (Fig. 1) during operation of the tool and count.

Some OEM's are recommending the exact amount of grease to lubricate critical bearings. By counting the strokes you will know how much grease has been dispensed to lubricate the bearing. Here is the table of the grease output vs. number of strokes.

Stroke count	Output/stroke	
	oz.	gram
10	0.20	5.7
15	0.30	8.5
20	0.40	11.4

Note: Lincoln recommends this feature only on low output/high pressure mode.

INSPECTION

Visually inspect for damaged, loose or missing parts. If equipment is worn or damaged, remove from service. Contact an authorized service center for damage assessment or repair.

OPERATION

Changing “L” or “H” Mode

To change the mode of operation:

CAUTION

To prevent damage to the gears in the transmission, the motor must be completely stopped before changing the lever to the “L” or “H” (low or high) mode of operation.

“L” (low output/high pressure)

“H” (high output/low pressure)

When motor is not running, push the lever (Fig. 1) until letter “L” or “H” will be completely visible in the window.

In case the lever is not completely shifted/engaged, hold this lever and bump the switch to engage gears.

High output is recommended if the tool is used to lubricate large bearings not requiring high pressure, beyond 3,000 PSI (206 bar). Also, high output is recommended if tool is used to refill small reservoirs of automatic lubrication systems.

Low output is recommended if the tool is used in construction, mining applications and general lubrication. Low output will provide the maximum pressure of up to 7,000 PSI (482 bar) the tool is capable of producing.

- © It is normal for batteries to lose their power retention capacity over hundreds of charge cycles. Replace the battery when this happens.

Prime the PowerLuber after each refill or grease cartridge change. Prime the gun before using it to lubricate grease points.

To prime, operate the gun until grease flows from the hose. Use vent valve (Fig.1) to expel air pockets.

© Indicates change

Installing Grease Cartridge

1. Unscrew the grease tube assembly from the PowerLuber.
2. Visually check the follower seal lip direction before loading a new cartridge. The follower seal lip must be directed toward the follower handle or rear side for cartridge loading. See Fig. 2. (To change the direction of the follower seal, unscrew tube cap from grease tube assembly and pull on the handle to remove follower seal from tube. Flip follower seal over and reassemble.)
3. Pull back on the follower handle and latch the follower rod groove into the slot on the tube cap.
4. Remove the plastic cap from the grease cartridge and insert cartridge into the container tube.
5. Remove the pull tab from grease cartridge and screw grease tube assembly into pump assembly.
6. Thread grease tube assembly back onto the Powerhead.
7. Release follower rod from slot. Purge air from pump. See air purging instructions.

CAUTION

Air pockets in the cartridge lubricant will cause the gun to lose its prime.

Removing Empty Grease Cartridge

1. Pull back on the follower handle until the follower rod is fully extended and latch the follower rod groove into the slot on the tube cap.
2. Unscrew the grease tube assembly from the PowerLuber.
3. Carefully release the follower handle to eject the empty cartridge from container tube.

To Convert Gun to Allow Filling From Bulk Container or Filler Pump

1. Unscrew the grease tube assembly cap from the grease tube assembly. Pull on the follower handle to extract the follower and spring from the grease tube assembly.
2. Grasp follower between thumb and forefinger and flip the follower lip from the rear to the front side.

NOTE. The follower resembles a cup. When the gun is assembled for use with bulk lubricant, the cup opens toward the pump assembly.

3. Reassemble follower into grease tube assembly and position with the follower handle so that the grease tube assembly cap can be tightened onto the container tube.



Figure 2

To Fill The Gun from Bulk Container

1. Remove pump assembly from grease tube assembly.
2. Pack lubricant into cavity of the pump assembly.
3. Insert the open end of the grease tube assembly into lubricant (see Fig. 3). Slowly pull the follower handle back while pushing the grease tube assembly deeper into the lubricant to prevent air pockets from being pulled into the grease tube assembly.
4. When the follower rod is fully extended, pull it sideways to latch the rod groove into the keyhole slot in the grease tube assembly cap.
5. Loosely assemble the pump assembly to the grease tube assembly. Release the follower rod from the grease tube assembly cap and disengage the follower rod from the follower by rotating the follower handle. Push the follower rod into the grease tube assembly. Slowly unscrew the grease tube assembly from the pump assembly until lubricant oozes from the interface. Tighten grease tube assembly into the pump assembly.



Figure 3

To Fill The Gun with a Filler Pump

1. Engage the follower rod with the follower by rotating the follower handle.
2. Insert the gun vent/bulk fill valve into the filler pump socket (see Fig. 4).
3. Operate the filler pump to fill the container. When the follower rod groove is exposed, the grease tube assembly is filled. The follower rod will be extended approximately 8 inches (20 cm). Do not overfill!
4. Disengage the follower rod from the follower by rotating the follower handle. Push the follower rod into the grease tube assembly.



Figure 4

**IMPORTANT**

Remove Air Pocket! Air pocket at grease inlet will prevent grease from being pumped. Unscrew the vent/bulk fill valve two full turns to remove small air pockets trapped in this area. If the air pocket is substantial and no grease flows from coupler after trigger is pulled for 15 seconds, see following steps.

To Expel Air Pockets

1. Withdraw the follower rod from the grease tube assembly cap and engage it with the follower by rotating the follower handle.
2. Unscrew the vent/bulk fill valve two turns. Exert force on the follower handle until grease flows through the opening in the vent/bulk fill valve.
3. Tighten the vent/bulk fill valve.
4. Pull the trigger in short bursts to operate gun until trapped air is expelled. Disengage the follower rod from the follower by rotating the follower handle. Push the follower rod into the grease tube assembly.
5. If step 2 fails, unscrew the grease tube assembly 3 turns from the pump assembly.
6. Exert force on the follower handle until lubricant oozes from the grease tube assembly and pump assembly interface.
7. Tighten grease tube assembly into the pump assembly. Disengage the follower rod from the follower by rotating the follower handle. Push the follower rod into the grease tube assembly.



CHARGER OPERATION

CHARGING THE BATTERY PACK

Before using your PowerLuber for the first time, the battery pack should be charged for **12 hours**. If the battery pack is installed in the PowerLuber, remove it and follow "Charging Procedure" below.

CHARGING PROCEDURE

Make sure power circuit voltage is the same as that shown on the charger specification plate.

1. Plug the charger into an appropriate outlet before inserting battery pack.
2. Insert the battery pack into the charger. The red (charging) light will blink continuously indicating that the charging process has started.
3. The completion of charge will be indicated by the red light remaining ON continuously. The pack is fully charged and may be used at this time.
4. The battery pack may be left on the trickle charge until you are ready to use.
5. Disconnect charger from power source when not in use.

CAUTION

120/230 volts present at charging terminals. Do not probe with conductive objects. Danger of electric shock or electrocution.

INDICATOR LIGHT OPERATION

PACK CHARGING.....	
FULLY CHARGED.....	
REPLACE PACK.....	
PROBLEM POWER LINE.....	
HOT/COLD PACK DELAY.....	

CHARGE INDICATORS

The charger is designed to detect certain problems that can arise with battery packs. Problems are indicated by the red light flashing at a fast rate. If this occurs, re-insert battery pack into the charger. If the problem persists, try a different battery pack to determine if the charger is O.K. If the new pack charges correctly, then the original pack is defective and should be returned to a service center or other collection site for recycling. If the new battery pack displays the same trouble indication as the original, have the charger tested at an authorized service center.

LEAVING THE BATTERY PACK IN THE CHARGER

The charger and battery pack can be left connected with the red light glowing indefinitely. The charger will keep the battery pack fresh and fully charged.

NOTE: A battery pack will slowly lose its charge when kept out of the charger. If the battery pack has not been kept on maintenance charge, it may need to be recharged before use. A battery pack may also slowly lose its charge if left in a charger that is not plugged into an appropriate AC source.

As a battery pack approaches the discharged state, you will notice a sharp drop in tool performance. When the tool is unable to perform the task at hand, it is time to recharge the battery pack. Discharging the pack beyond this point can damage the pack.

NOTE: Battery temperature will increase during and shortly after use. Batteries may not accept a full charge if they are charged immediately after use. Allow the battery pack to cool to room temperature before charging for best results.

CAUTION

Vent slots in top and bottom of charger must not be obstructed. Do not charge battery when temperature is BELOW 32° F (0° C) or ABOVE 104° F (40° C).

Important Charging Notes

1. Longest life and best performance can be obtained if the battery pack is charged when the air temperature is between 65° F and 75° F (18° - 24° C). DO NOT charge the battery pack in an air temperature below +32° F (0° C) or above 105° F (+40.5° C). This is important and will prevent serious damage to the battery pack.
2. The charger and battery pack may become warm to the touch while charging. This is a normal condition, and does not indicate a problem.
3. If the battery pack does not charge properly:
 - a. Check current at receptacle by plugging in a lamp or other appliance.
 - b. Check to see if the receptacle is connected to a light switch which turns power off when you turn out the lights.
 - c. Move charger and battery pack to a location where the surrounding air temperature is approximately 65° F - 75° F (18 - 24° C).
 - d. If charging problems persist, take the tool, battery pack and charger to your local service center.

4. The battery pack should be recharged when it fails to produce sufficient power on jobs. **DO NOT CONTINUE** to use under these conditions. Follow the charging procedure. You may also charge a partially used pack whenever you desire with no adverse affect on the battery pack.
5. Under certain conditions, with the charger plugged into the power supply, the exposed charging contacts inside the charger can be shorted by foreign material. Foreign materials of a conductive nature such as, but not limited to, steel wool, aluminum foil, or any buildup of metallic particles should be kept away from charger cavities. Always unplug the charger from the power supply when there is no battery pack in the cavity. Unplug charger before attempting to clean.
6. Do not freeze or immerse charger in water or any other liquid.

**WARNING**

Don't allow any liquid to get inside charger. Electric shock may result. To facilitate the cooling of the battery pack after use, avoid placing the charger or battery pack in a warm environment such as a metal shed or an uninsulated trailer.

**CAUTION**

Never attempt to open the battery pack for any reason. If the plastic housing of the battery pack breaks or cracks, return to a service center for recycling.

**Figure 5**



SAFETY INSTRUCTIONS FOR CHARGER AND BATTERIES
SAVE THESE INSTRUCTIONS

This manual contains important safety and operating instruction for Lincoln Model 1410 or 1410E Battery Charger.

⚠ DANGER

Risk of Electric Shock 120 VAC or 230 VAC present at charger terminals. Do not probe with conductive objects. Do not charge damaged battery. Replace immediately.

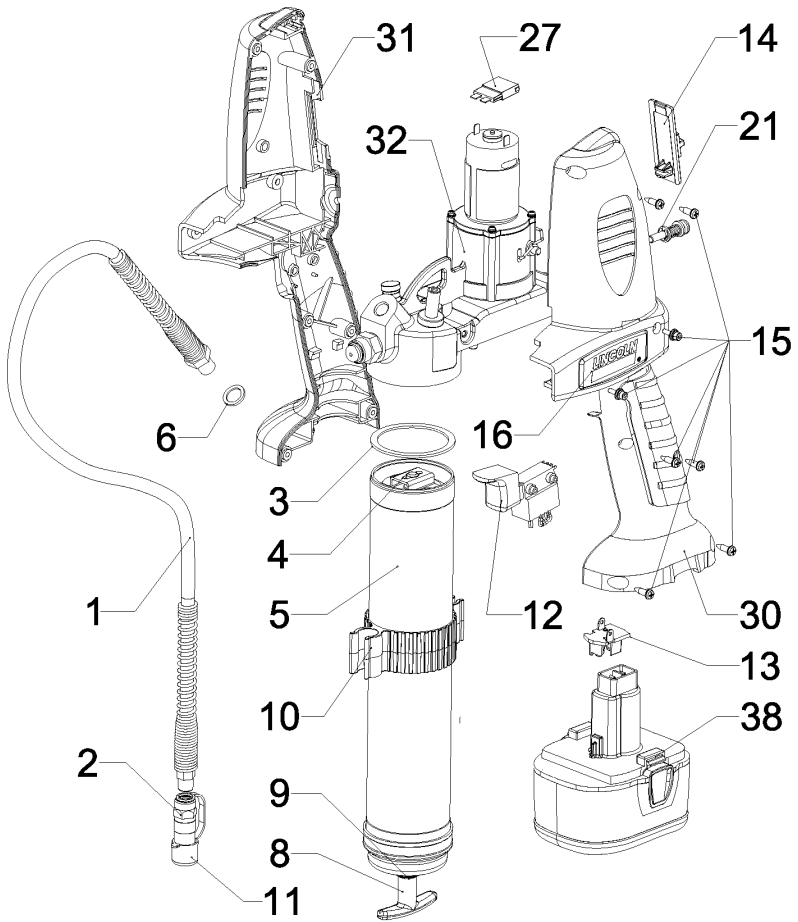
1. Before using a battery charger, read all instructions and cautionary markings on Battery Charger, Battery Pack, and product using battery.
2. CAUTION: To reduce the risk of injury, Lincoln Model 1410 or 1410E Chargers should only be used to charge Lincoln battery pack Model 1401 and 1801. Other types of batteries may burst causing personal injury and damage. Do not charge Lincoln Model 1401 or 1801 Battery Packs with any other charger.
3. Do not expose charger to rain, snow or frost.
4. Do not abuse cord. Never carry charger by cord or yank it to disconnect from receptacle. Pull by plug rather than cord when disconnecting charger. Have damaged or worn power cord and strain reliever replaced immediately. **DO NOT ATTEMPT TO REPAIR POWER CORD.**
5. Make sure cord is located so that it will not be stepped on, tripped over, or otherwise subjected to damage or stress.
6. Do not use an extension cord unless absolutely necessary. Use of improper extension cord could result in a risk of fire and electric shock. If an extension cord must be used, make sure:
 - A That the extension cord is properly wired and in good electrical condition.
 - B Wire size of cord is at least as specified in following chart:

LENGTH OF CORD IN FEET (M)	25 (7.5)	50 (15)	100 (30)	150 (45)
AWG SIZE OF CORD (mm ²)	18 (1)	18 (1)	18 (1)	16 (1.5)

- C If an extension cord is to be used outdoors it must be marked with the suffix W-A following the cord type designations. For example - SJTW-A to indicate it is acceptable for outdoor use.
7. Do not operate charger with damaged cord or plug. Have them replaced immediately, to avoid a hazard **DO NOT ATTEMPT TO REPAIR POWER CORD.**
8. Do not operate charger if it has received a sharp blow, been dropped, or otherwise

- damaged in any way, take it to a qualified service center.
9. Do not disassemble charger or battery pack. Take it to a qualified service center when service or repair is required. Incorrect reassembly may result in risk of electrical shock or fire.
10. Unplug charger from outlet before attempting any maintenance or cleaning to reduce risk of electric shock.
11. Charge the battery pack in a well ventilated place; do not cover the charger and battery with a cloth, etc., while charging.
12. Do not store the charger or battery packs in locations where the temperature may reach or exceed 122° F (50° C) such as a metal tool shed, or a car in the summer which can lead to deterioration of the storage battery.
13. Do not charge battery pack when the temperature is BELOW 32° F (0° C) or ABOVE 104° F (40° C). This is very important for proper operation.
14. Do not incinerate battery pack. It can explode in a fire.
15. Do not charge battery in damp or wet locations.
16. Do not attempt to charge any other cordless tool or battery pack with the Lincoln Model 1410 or 1410E charger.
17. Do not short across the terminals of the battery pack. **EXTREMELY HIGH TEMPERATURES COULD CAUSE PERSONAL INJURY OR FIRE.**
18. This appliance is not intended for use by persons (including children) with reduced physical, sensory or mental capabilities, or lack of experience and knowledge, unless they have been given supervision or instruction concerning use of the appliance by a person responsible for their safety.
19. Children should be supervised to ensure that they do not play with the appliance.
20. Dispose of expended batteries properly. The Lincoln Model 1401 and 1801 Battery Pack contains rechargeable, nickel-cadmium batteries. These batteries must be recycled or disposed of properly. Drop off expended battery packs at your local replacement battery retailer, or your recycling center.

Users in the United States NOTE:
 Applicable fees for the collection and recycling of these batteries have been paid to the RBRCTM. For further information, call 1-800-8BATTERY.

**Figure 6©**

© Indicates change

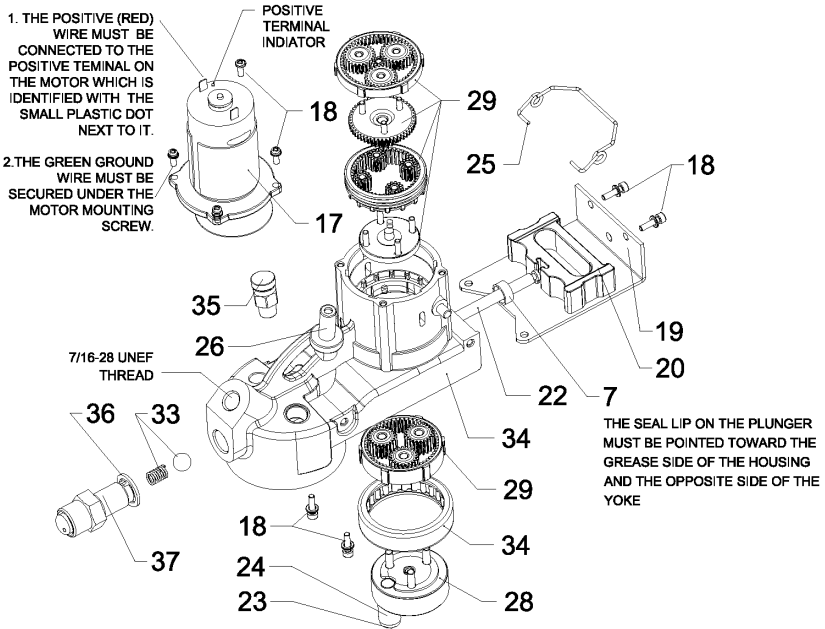


Figure 7©

© Indicates change



Models 1400, 1442, 1442E, 1444, 1444E PowerLuber Grease Gun

Service Parts List©

Item now	Description	Part Number
1	FLEXIBLE HOSE 30" W/GASKET (MODELS 1400, 1442, 1444)	1230
	FLEXIBLE HOSE 30" W/GASKET (MODELS 1442E, 1444E)	1230E
2	COUPLER (MODELS 1400, 1442, 1444)	5852
	COUPLER (MODELS 1442E, 1444E)	251-10124-7
3	PACKING	34793
4	FOLLOWER ASSEMBLY KIT	93485
5	GREASE TUBE ASSEMBLY	271882
6	GASKET KIT (HOSE)	271884
7	SEAL	271889
8	HANDLE KIT (DGREASE TUBE)	286090
9	ROD, FOLLOWER KIT	286091
10	HOSE CLIP KIT	286092
11	COUPLER CAP KIT	286093
12	TRIGGER KIT	286095
13	TERMINAL ASSEMBLY KIT	286096
14	GEAR SELECTOR KIT	286097
15	HANDLE HARDWARE	286100
16	DECAL KIT	286101
17	MOTOR WITH PLATE	286103
18	PUMP HARDWARE	286105
19	COVER PUMP KIT	286106
20	YOKE KIT	286107
21	STROKE INDICATOR	286108
22	PLUNGER KIT	286109
23	STUD KIT	286110
24	ROLLER	286111
25	SPRING SELECTOR	286113
26	VENT/BULK VALVE KIT	286134
27	CIRCUIT BREAKER KIT	286217
28	DRIVER ASSEMBLY KIT	286285
29	GEAR SET KIT	286286
30	HANDLE WITH ELECTRICAL COMPONENT KIT	286303
31	HANDLE WITH SCREW KIT	286304
32	PUMP ASSEMBLY KIT	286305
33	CHECK VALVE KIT	286306
34	HOUSING PUMP WITH BEARING	286307
35	VENT VALVE KIT	286315
36	GASKET KIT (RELIEF VALVE)	286316
37	RELIEF VALVE KIT	286317
38	BATTERY 14.4V	1401
	CHARGER	1410
	STRAP	1414
	CASE	286135

© Indicates change



TROUBLESHOOTING

Condition	Possible Cause	Corrective Action
Motor fails to run.	<ul style="list-style-type: none"> - Battery needs charging. - Faulty wiring to motor. - Circuit Breaker 	Recharge battery. Remove battery, disassemble handle and check wiring for loose connection. Reset Circuit Breaker.
PowerLuber fails to dispense grease.	<ul style="list-style-type: none"> - Grease tube assembly is out of grease. - Loss of prime. - Ball check item 19 is not functioning. 	Check that grease tube assembly has grease. Repeat priming operation. Remove Item 19, clean and inspect ball seat area.
PowerLuber continues to lose prime.	- Air may be trapped in several locations in container after bulk filling.	Empty grease tube assembly, refill and repeat priming instructions.
	- Follower may be binding in grease tube assembly.	*Replace grease tube assembly Item 2. *Disassemble grease tube assembly and clean. *Be sure that follower has properly entered the grease cartridge. <p style="text-align: center;">Or</p> Verify that the follower is not caught on the rim of the grease cartridge.
Battery fails to take a charge.	<ul style="list-style-type: none"> - Charger may not have power. - Battery may be bad. 	Check that receptacle has power. Replace battery.

GRAISSEUR POWERLUBER
Modèles 1800, 1842, 1842E, 1844, 1844E
Série « A »

Nota – Batterie supplémentaire incluse seulement avec les
modèle 1844 et 1844E

Model de base 1800 de luber de puissance



Table des Matières

	Page
Règles De Sécurité Générales.....	15
Règles Spécifiques de Sûreté.....	15
Utilisation et soin des outils.....	16
Réparation.....	16
Données Techniques.....	16
Description Générale.....	17
Inspection.....	18
Utilisation.....	18
Fonctionnement Du Chargeur.....	20
Instructions De Sécurité Pour Le Chargeur Et Les Batteries Garder Ces Instructions.....	22
Vue éclatée et liste de pièces.....	23
Depannage.....	26
Version anglaise.....	2
Version allemande.....	27
Version espagnole.....	40

RÈGLES DE SÉCURITÉ GÉNÉRALES POUR TOUS LES OUTILS À BATTERIE

MISE EN GARDE – IL FAUT LIRE ET COMPRENDRE TOUTES LES INSTRUCTIONS

Le non-respect de ces instructions peut causer un choc électrique, un incendie ou des blessures graves.

CONSERVER CES INSTRUCTIONS.

Sécurité

Il faut lire et observer avec soin ces instructions d'utilisation avant de débaler et d'utiliser le graisseur PowerLuber. Il ne faut utiliser le graisseur PowerLuber qu'après avoir complètement compris les directives de sécurité et ce manuel d'utilisation.

ATTENTION

Il ne faut jamais utiliser le graisseur PowerLuber dans une atmosphère explosive. Les outils électriques peuvent créer des étincelles qui peuvent enflammer des liquides, de la poussière ou des vapeurs.

Ne pas utiliser le chargeur de batteries dans un endroit humide ou mouillé.

ATTENTION

Le graisseur peut développer une pression élevée, jusque 476 bar (7 000 psi). Utiliser des lunettes et des gants de sécurité pendant l'utilisation. Maintenir les mains à l'écart de la portion exposée en caoutchouc du tuyau.

ATTENTION

Une pression extrême peut causer une explosion de la rallonge de buse ou du tuyau flexible. Utiliser uniquement des tuyaux APPROUVES par Lincoln et suivre les instructions et les avertissements du tuyau flexible.

Sécurité de l'aire de travail

Il faut maintenir l'aire de travail propre et bien éclairée. Un établi encombré et des endroits sombres invitent les accidents.

Ne pas faire fonctionner des outils électriques dans une atmosphère électrique, en présence de liquides, gaz ou poussière inflammable. Les outils électriques créent des étincelles qui peuvent enflammer de la poussière ou des vapeurs.

Maintenir les observateurs, les enfants et les visiteurs à l'écart des outils électriques en marche. Une distraction peut causer une perte de contrôle.

Sécurité électrique

Ne pas abuser le cordon. Ne jamais utiliser le cordon pour transporter le chargeur. Maintenir le cordon à l'écart de la chaleur, de l'huile, des bords aigus ou des pièces en mouvement. Remplacer immédiatement un cordon usé. Un cordon endommagé peut créer un incendie.

Un outil à batterie séparée ne doit être rechargé qu'avec le chargeur spécifié pour cette batterie. Un chargeur qui peut être approprié pour un type de batterie peut créer un risque d'incendie quand utilisé avec une autre batterie. Utiliser l'outil à batterie uniquement avec la batterie spécifiée. L'utilisation de toute autre batterie peut créer un risque d'incendie.

Sécurité personnelle

Il faut rester alerte, observer le travail et utiliser du bon sens pendant l'utilisation d'un outil électrique. Ne pas utiliser un outil quand fatigué ou sous l'influence de stupéfiants, d'alcool ou de médicaments. Un moment d'inattention pendant l'utilisation de l'outil peut causer des blessures graves.

Il faut être habillé correctement. Ne pas porter de vêtements flottants ni de bijoux. Retenir les cheveux longs. Maintenir les cheveux, les vêtements et les gants à l'écart des pièces en mouvement. Des vêtements, des bijoux ou des cheveux longs peuvent être attrapés par des pièces en mouvement.

Transporter l'outil avec le doigt sur le commutateur ou insérer la batterie dans l'outil alors que le commutateur est en position de marche invite les accidents.

Securité spécifique

1. Il faut toujours porter de la protection des yeux. Le PowerLuber peut générer une pression maximale de 476 bar (7 000 psig).
2. Utiliser uniquement des tuyaux flexibles 1218, 1224, 1230 ou 1236 de Lincoln. Les blessures causées par injection de graisse sont des blessures très graves. Il ne faut tenir le tuyau que dans la zone avec le ressort de protection.
3. Eviter les démarrages accidentels. Prendre soin de ne pas appuyer sur le contacteur pendant l'insertion de la batterie.
4. Ne pas plier le tuyau au point de le pincer.
5. Remplacer le tuyau au premier signe d'usure, de pincement ou de dommage de la gaine externe.

Ne pas s'étirer pour atteindre quelque chose. Il faut toujours maintenir une bonne assise et un bon équilibre. Une bonne assise et un bon équilibre permettent un meilleur contrôle de l'outil dans une situation inattendue.

Utiliser de l'équipement de sécurité. Il faut toujours porter de la protection des yeux. Il faut utiliser un masque anti-poussière, des chaussures de sécurité antidérapantes, un casque ou de la protection des oreilles quand les conditions le justifient.

UTILISATION ET SOIN DES OUTILS

Ne pas utiliser un outil s'il n'est pas possible de le mettre en marche et de l'arrêter avec le commutateur. Un outil qu'il n'est pas possible de contrôler avec le commutateur est dangereux et doit être réparé.

Ne pas continuer à appuyer sur la gâchette si le graisseur est calé. Ceci peut endommager le moteur ou causer un incendie.

Débrancher la batterie de l'outil avant de faire des réglages, de changer un accessoire. De telles mesures préventives réduisent les risques de démarrage accidentel de l'outil. Ranger l'outil hors de portée des enfants ou de toute personne sans formation pour l'utiliser. Les outils sont dangereux dans les mains d'une personne sans formation.

Quand la batterie n'est pas en service, la maintenir à l'écart des objets métalliques tels que trombones, pièces de monnaie, clés, clous, vis et autres petits objets métalliques qui peuvent établir une connexion entre les bornes. Un court-circuit des bornes d'une batterie peut causer des étincelles, des brûlures ou un incendie.

Maintenir les outils avec soin. Vérifier que les pièces en mouvement sont bien alignées et qu'elles ne se coincent pas, que les pièces ne sont pas fracturées et qu'il n'y a aucune situation qui peut affecter le fonctionnement de l'outil. Si endommagé, faire réparer l'outil avant de l'utiliser.

De nombreux accidents sont causés par des outils mal entretenus.

Utiliser seulement des accessoires qui sont recommandés par le constructeur de l'outil.

N'utiliser que des accessoires capables de supporter 482 bars (7000 psi). Des accessoires qui peuvent

être appropriés pour un outil peuvent créer des risques, quand utilisés avec un autre outil.

Utilisations appropriées

Le PowerLuber a été conçu exclusivement pour pomper et distribuer de la graisse en utilisant une batterie de 14,4 V.

Il ne faut pas dépasser les capacités maximales. Toute autre utilisation ne correspondant pas à ces instructions résulte en perte des réclamations de garantie ou de responsabilité.

Réparation

Toute réparation d'un outil doit être faite uniquement par un technicien qualifié. Les réparations ou la maintenance faites par une personne non qualifiée peuvent causer un risque de blessure. Lors de la réparation d'un outil, utiliser uniquement des pièces de remplacement identiques. Suivre les instructions de la section de maintenance de ce manuel. L'utilisation de pièces non autorisées ou le non-respect des propriétaires manuels peut causer des risques de choc électrique ou des blessures.

DONNÉES TECHNIQUES

PowerLuber de base, modèle 1800

Alimentation,	18 V
Pression maximale d'utilisation,	
- Bas rendement -	476 bar (7 000 psig)
- Haut rendement -	204 bar (3 000 psig)
Capacité du réservoir de graisse	411 cm ³ (14,5 oz)
Plage de température en service	-18 to +50 °C (0 à 120 °F)
Courant en service,	4,0 A
Courant évalué	5,0 A
Lubrifiant (graisse) jusque	NLGI n° 2
Sortie de graisse	
Bas rendement	107,7 g/min (3,8 oz/min)
Haut rendement	240,9 g/min (8,5 oz/min)
Poids	3,6 kg (8,0 lb)

Accessoires

Batterie modèle 1801	
Tension	18 V cc
Capacité	1900 mAh
Batterie modèle 1410	
Durée de charge	1 heure
Alimentation (2,0 A)	120 V, 50-60 Hz
Modèle 1410E (pour utilisation en Europe)	
Alimentation (1,0 A)	230 V, 50 Hz
Tuyau de sortie, modèle 1230	
Pression nominale,	510 bar (7 500 psig)
Longueur du tuyau,	760 mm (30 in)
Pression acoustique (LpA) 73.5 dB(A), incertitude (K) 3 dB(A)	
Puissance acoustique (LwA) 84.5 dB(A), incertitude (K) 3 dB(A)	
Valeur d'émission de vibration 1.0 m/s ² , incertitude (K) 1.5 m/s	

NOTA – Données de courant d'utilisation et de sortie de graisse à 69 bar (1 000 psi).

Exécution de PowerLuber (à 72°F (22°C) avec la graisse de NLGI #2)

Pression de rendement, livre par pouce carré	0	1,000	2,000	3,000	4,000	5,000	6,000
Tubes de la graisse (14.5oz (411gr)) par une batterie	12	10	5.5	4	2	1.5	<1

Modèles et éléments

Modèle de vente	PowerLuber de base	Batterie	Chargeur
1842	1800	1801	1410
1842E	1800	1801	1410E
1844	1800	1801(2)	1410
1844E	1800	1801(2)	1410E

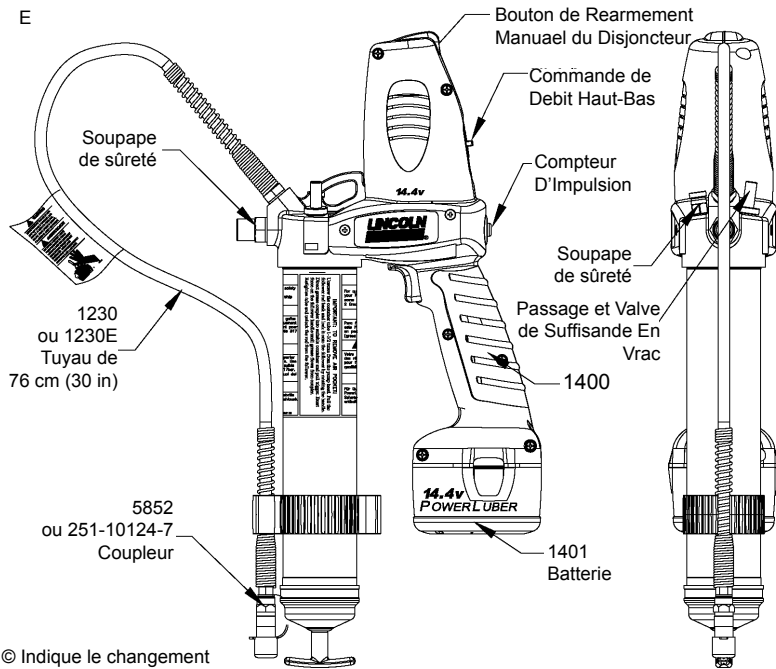


Figure 1

DESCRIPTION GÉNÉRALE

Le PowerLuber de Lincoln est un graisseur automatique à batterie, complètement fonctionnel. Le graisseur a été développé pour la lubrification manuelle des points de graissage et il inclut un disjoncteur pour arrêter le moteur en cas de pression excessive (476 bars ou 7 000 psi) si un roulement, un graisseur ou une conduite de lubrification est bloqué.

Le PowerLuber est entraîné par un petit moteur électrique basse tension, connecté à un train planétaire à trois étages. Le mouvement rotatif du moteur est converti en mouvement alternatif du piston, à l'aide d'un mécanisme à fourche. Le PowerLuber est une pompe à déplacement positif à action simple.

Valve De Décompression

La valve de décompression est calibrée en usine pour servir de soupape de sécurité au-delà de 413 Bars (6.000 PSIG) Si de la graisse s'échappe de la valve, certains conduits sont probablement obstrués. Corriger ceci avant de continuer à utiliser le Powerluber.

Disjoncteur

Le déclenchement du disjoncteur est aussi une indication de l'état du roulement ou de la conduite de lubrification. La sortie du bouton rouge est une

indication d'un roulement bouché ou serré, un graisseur colmaté ou d'une conduite de lubrification bloquée. Corriger avant de réarmer ou de continuer la lubrification avec le PowerLuber.

Compteur d'impulsions

L'outil est équipé d'une fonction d'étalement. Ceci est accompli en mesurant (pesant) le débit de graisse sortant et en divisant le poids de la graisse par le nombre d'impulsions. Il suffit de mettre le pouce sur le bouton compteur d'impulsions, figure1, pendant le fonctionnement de l'outil et de compter.

Certains constructeurs d'équipement d'origine recommandent une quantité exacte de graisse pour lubrifier des roulements cruciaux. En comptant les impulsions, il est possible de déterminer quelle quantité de graisse a été distribuée pour lubrifier le roulement. Voici le tableau de quantité de graisse en fonction du nombre d'impulsions.

Nombre d'impulsions	Poids par impulsion	
	oz	gramme
10	0,20	5,7
15	0,30	8,5
20	0,40	11,4

Nota - Lincoln recommande cette fonction seulement en mode de débit faible à haute pression.

INSPECTION

Vérifier visuellement qu'il n'y a pas de pièces endommagées, desserrées ou absentes. Si l'équipement est usé ou endommagé, le mettre hors service. Contacter un centre de réparation agréé pour évaluer les dommages ou faire une réparation.

UTILISATION

Changement de débit/pression

Pour changer le mode de fonctionnement :

ATTENTION

Pour éviter d'endommager les engrenages de la transmission, arrêter complètement le moteur avant de faire passer les engrenages au mode de fonctionnement « L » ou « H » (bas ou haut).

« L » (faible débit/haute pression)

« H » (haut débit/basse pression)

Le moteur étant en marche, pousser le levier rouge (Fig. 1) jusqu'à ce que la lettre « L » ou « H » soit visible en totalité dans le voyant.

Si le levier rouge n'est pas complètement déplacé/enclenché, le tenir et appuyer sur le contacteur pour enclencher les engrenages.

Un haut débit est recommandé si l'outil est utilisé pour lubrifier des gros roulements n'exigeant pas une haute pression, au-delà de 206 bars (3000 PSI). Un haut débit est également recommandé si l'outil est utilisé pour remplir les petits réservoirs des systèmes de lubrification automatique.

Un faible débit est recommandé si l'outil est utilisé dans l'industrie de la construction, l'industrie minière et dans les applications générales de lubrification. Un faible débit permet d'obtenir la pression maximum allant jusqu'à 482 bars (7000 PSI) que l'outil est capable de produire. "

Le PowerLuber est conçu avec deux modes de fonctionnement, débit élevé et pression moyenne ou basse (« H ») ou débit bas et pression haute (« L »). Pour changer de mode d'utilisation, appuyer sur le levier (figure 1) quand le moteur n'est pas en marche jusqu'à ce que la lettre « H » ou « L » est complètement visible dans la fenêtre. Si le levier de débit n'est pas complètement déplacé ou engagé, appuyer sur le levier et mettre l'outil en marche.

Il faut arrêter le moteur avant de changer le débit (« H » ou « L ») pour éviter d'endommager le train planétaire.

Le débit élevé est recommandé si l'outil est utilisé pour lubrifier des grands roulements ne nécessitant pas une pression élevée au-delà de 204 bar (3 000 psig). Le débit élevé est également recommandé si l'outil est utilisé pour remplir des

petits réservoirs de systèmes de lubrification automatique.

Le débit bas est recommandé si l'outil est utilisé dans les applications de construction, minières ou la lubrification générale. Le débit bas fournit la pression maximale jusqu'à 482 bar (7 000 psig) que l'outil est capable de produire.

Amorcer le PowerLuber après chaque remplissage ou changement de la cartouche de graisse. Amorcer le graisseur avant de l'utiliser pour lubrifier des points des graissages.

Pour amorcer, faire fonctionner le graisseur jusqu'à ce que la graisse coule du tuyau. Utiliser le clapet d'évent (figure 1, page 19) pour expulser les poches d'air.

ATTENTION

Les poches d'air dans la graisse de la cartouche peuvent causer la perte de l'amorçage du graisseur.

Dépose de la cartouche de graisse vide

1. Reculer la poignée du piston jusqu'à ce que la tige du piston soit complètement étendue et verrouiller la gorge de la tige du piston dans la fente du capuchon du tube.
2. Dévisser le tube de graisse du PowerLuber.
3. Relâcher avec précaution la tige du piston pour éjecter la cartouche vide du tube.

Installation de la cartouche de graisse

1. Vérifier visuellement la direction du piston avant de charger la nouvelle cartouche. La lèvres d'étanchéité du piston doit être directement vers la poignée du piston ou l'arrière pour charger la cartouche, figure 2. 2. Pour changer la direction du piston, dévisser le capuchon du tube, du tube de graisse et tirer sur la poignée pour enlever le piston du tube. Basculer le joint d'étanchéité et remonter.
2. Tirer sur la poignée du piston et verrouiller la gorge de la tige du piston dans la fente sur le capuchon du tube.
3. Enlever le capuchon en plastique de la cartouche de graisse et insérer la cartouche dans le tube.
4. Enlever la languette de la cartouche de graisse et visser le tube de graisse dans la pompe.
5. Relâcher la tige du piston de la fente. Purger l'air de la pompe. Consulter les instructions de purge.

Conversion Du Graisseur Pour Permettre Le Remplissage À Partir D'un Conteneur En Vrac Ou D'une Pompe De Remplissage

- 1) Dévisser le capuchon du tube de graisse du tube de graisse. Tirer la poignée du piston pour extraire le piston et le ressort du tube de graisse.
- 2) Prendre fermement entre le pouce et l'index et basculer la lèvres de l'arrière vers l'avant.

NOTA – Le piston ressemble à une coupelle.
Quand le graisseur est assemblé pour utiliser avec de la graisse en vrac, le côté concave de la coupelle est vers l'avant de la pompe.

- 3) Remonter le piston dans le tube de graisse et le mettre en position avec la poignée du piston pour que le capuchon du tube de graisse puisse être vissé sur le tube.

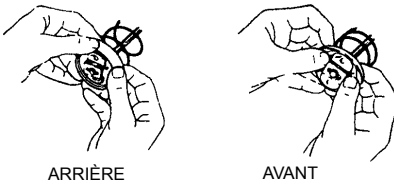


Figure 2

Remplissage Du Graisseur À Partir D'un Conteneur En Vrac

- 1) Enlever la pompe de tube de graisse.
- 2) Remplir la cavité de la pompe avec de la graisse.
- 3) Insérer l'extrémité ouverte du tube de graisse dans la graisse. Tirer lentement sur la poignée du piston tout en poussant le tube plus profondément dans la graisse pour éviter d'introduire des poches d'air dans le tube de graisse.
- 4) Quand la tige du piston est complètement étendue, la tirer latéralement pour verrouiller la gorge de la tige dans le trou allongé du capuchon du tube de graisse.
- 5) Monter sans serrer la pompe sur le tube de graisse. Relâcher la tige du piston du capuchon de tube de graisse et tourner la tige du piston pour la dégager du piston. Pousser la tige du piston dans le tube de graisse.

Dévisser lentement le tube de graisse de la pompe jusqu'à ce que la graisse suinte de l'interface. Serrer le tube de graisse dans la pompe.

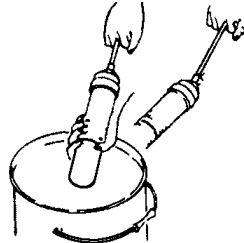


Figure 3

Remplissage Du Graisseur Avec Une Pompe De Remplissage

Tourner la tige du piston pour l'engager dans le piston. Insérez le passage de pistolet et la valve de suffisance en vrac dans la douille de pompe de remplissage. Actionner la pompe de remplissage pour remplir le conteneur. Quand la gorge de la tige du piston est exposée, le tube de graisse est rempli. La tige du piston est allongée d'environ 200 mm (8 in). Tourner la tige du piston pour l'engager dans le piston. Pousser la tige du piston dans le tube de graisse.

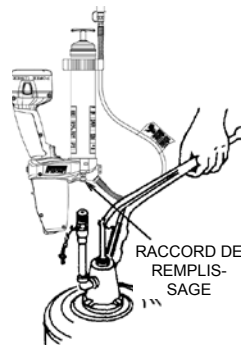


Figure 4

! IMPORTANT

Éliminer la poche d'air ! La présence d'une poche d'air à l'entrée de graisse empêchera le pompage de cette dernière. Un appui intermittent sur le purgeur éliminera les petites poches d'air. En cas de grosse poche d'air et si aucune graisse n'arrive du raccord après que la gâchette a été appuyée pendant 15 secondes, procéder comme suit.

Expulsion des poches d'air

1. Retirer la tige du piston du capuchon du tube de graisse et tourner la poignée du piston pour engager la tige dans le piston. Exercer de la force sur la poignée du piston tout en maintenant le clapet d'évent 23 (figure 7).
2. Dévissez les tours de passage et de valve deux de suffisance en vrac. Exercez la force sur la poignée de palpeur jusqu'à ce que la graisse traverse l'ouverture dans le passage et la valve de suffisance en vrac.
3. Serrez le passage et la valve de suffisance en vrac.
4. Tirez le déclenchement dans des éclats courts pour actionner le pistolet jusqu'à ce que de l'air emprisonné soit expulsé. Désengagez la tige de palpeur du palpeur en tournant la poignée de palpeur. Poussez la tige de palpeur dans le tube de graisse.
5. Si l'étape 2 n'a pas de succès, dévisser de la pompe le tube de graisse d'un tour et demi.
6. Exercer de la force sur la poignée du piston jusqu'à ce que le lubrifiant suinte de l'interface du tube de graisse et de la pompe.
7. Serrer le tube de graisse dans la pompe. Tourner la tige du piston pour la désengager du piston. Pousser la tige du piston dans le tube de graisse.

FONCTIONNEMENT DU CHARGEUR**Charge De La Batterie**

Avant d'utiliser le PowerLuber la première fois, il faut charger la batterie pendant **12 heures**. Si la batterie est installée dans le PowerLuber, l'enlever en suivant les instructions ci-dessous.

Procédure De Charge

Vérifier que la tension d'alimentation correspond à celle indiquée sur la plaque d'identification.

Brancher le chargeur à l'alimentation.

1. Brancher le chargeur dans une prise de courant appropriée avant d'insérer la batterie.
2. Insérer la batterie dans le chargeur. Le voyant de charge rouge clignote continuellement, indiquant que la charge a commencé.
3. La fin de la charge est indiquée par le voyant rouge restant allumé continuellement. La batterie est complètement chargée et peut être utilisée maintenant.
4. Il est possible de laisser la batterie sur le chargeur d'entretien jusqu'au moment de l'utilisation.
5. Débrancher le chargeur de l'alimentation quand il n'est pas en service.

! MISAS EN GARDE

Une tension de 120/230 V est présente aux bornes de charge. Ne pas tester avec des objets conducteurs. Danger de choc électrique ou d'électrocution.

Fonctionnement Des Voyants

BATTERIE EN CHARGE..... ■■■■■■■■■■
COMPLETEMENT CHARGEE..... ■■■■■■■■■■
REPLACER LA BATTERIE..... ●●●●●●●●●●
PROBLEME AVEC L'ALIMENTATION..... ●●●●●●●●
RETARD CHAUD ET EMBALLÉ À FROID ■■■■●●●●

Indicateurs

Le chargeur est conçu pour détecter certains problèmes qui peuvent avoir lieu avec les batteries. Des problèmes sont indiqués par un voyant rouge clignotant rapidement. Dans ce cas, réinsérer la batterie dans le chargeur. Si le problème persiste, essayer une batterie différente pour déterminer si le chargeur est en bon état. Si la nouvelle batterie prend la charge correctement, la batterie initiale est défectueuse et doit être renvoyée à un centre de réparation ou autre centre de collecte pour recyclage. Si une nouvelle batterie provoque les mêmes indications de problème que la batterie initiale, faire tester le chargeur dans un centre de réparation autorisé.

Laisser La Batterie Dans**Le Chargeur**

Il est possible de laisser le chargeur et la batterie branchés indéfiniment, avec le voyant rouge clignotant. Le chargeur maintient la charge de la batterie.

NOTA – Une batterie perd lentement sa charge quand elle est à l'extérieur du chargeur. Il peut être nécessaire de recharger une batterie avant utilisation si elle n'a pas reçu une charge de maintenance. Une batterie peut aussi perdre lentement sa charge si elle est laissée dans un chargeur qui n'est pas branché à une alimentation secteur appropriée.

Alors qu'une batterie approche la décharge complète, la performance de l'outil diminue de manière appréciable. Quand l'outil ne peut pas exécuter la tâche, il est temps de recharger la batterie. Recharger la batterie avant d'atteindre cette situation réduit la longévité de la batterie. Décharger la batterie au-delà de ce point peut endommager la batterie.

NOTA – La température de la batterie est plus élevée pendant l'utilisation et peu de temps après. Il est possible que les batteries n'acceptent pas une pleine charge si elles sont chargées immédiatement après utilisation. Pour obtenir les meilleurs résultats, laisser la batterie refroidir à température ambiante avant de la charger.

MISE EN GARDE – Il ne faut pas obstruer les fentes d'évent en haut et en bas du chargeur. Ne pas charger une batterie quand la température est INFÉRIEURE à 0 °C (32 °F) ou SUPÉRIEURE à 40 °C (104 °F).

Remarques importantes concernant la charge

1. Pour obtenir la plus grande longévité et le meilleur rendement, il faut charger la batterie quand la température ambiante est entre 18 et 24 °C (65 et 75 °F). NE PAS charger la batterie quand la température ambiante est inférieure à 0 °C (+32 °F) ou supérieure à 40,5 °C (105 °F). Ceci est important et évite les dommages des batteries.
2. Le chargeur et la batterie peuvent devenir chauds au toucher pendant la charge. Ceci est normal et n'est pas une indication d'un problème.
3. En cas de mauvaise charge de la batterie :
 - a. Vérifier la tension à la prise de courant en plaçant une lampe ou un autre appareil.
 - b. Vérifier si la prise est connectée à un interrupteur qui peut couper le courant de cette prise.
 - c. Placer le chargeur et la batterie à un endroit où la température ambiante est approximativement entre 18 et 24 °C (65 et 75 °F).
 - d. Si le problème de charge continue, amener l'outil, la batterie et le chargeur à un centre de réparation local.
4. La batterie doit être rechargée quand elle ne produit plus suffisamment de puissance pour des tâches qu'elle accomplissait facilement auparavant. NE PAS CONTINUER A UTILISER dans ces conditions. Suivre la procédure de charge. Il est aussi possible de charger une batterie partiellement déchargée, sans effet adverse sur la batterie.
5. Dans certaines situations, avec le chargeur branché sur le secteur, les contacts de charge exposés à l'intérieur du chargeur peuvent être court-circuités par des objets étrangers. Des objets étrangers conducteurs, tels que, mais sans limitation, laine d'acier, papier d'aluminium ou toute accumulation de particules métalliques, doivent être maintenus à l'écart des cavités du chargeur. Toujours débrancher le chargeur du secteur quand il n'y a aucune batterie dans la cavité. Débrancher le chargeur avant de le nettoyer.
6. Ne pas geler ni immerger le chargeur dans de l'eau ou tout autre liquide.

⚠ ATTENTION

Ne pas permettre l'entrée d'un liquide quelconque dans le chargeur. Risque de choc électrique. Pour faciliter le refroidissement de la batterie après utilisation, éviter de placer le chargeur ou la batterie dans un environnement chaud, tel qu'une cabane de jardin ou une remorque non isolée.

⚠ ATTENTION

Il ne faut jamais essayer d'ouvrir la batterie pour une raison quelconque. Si le boîtier en plastique de la batterie est fracturé ou fissuré, renvoyer la batterie au centre de réparation pour recyclage.



Figure 5

INSTRUCTIONS DE SECURITE POUR LE CHARGEUR ET LES BATTERIES GARDER CES INSTRUCTIONS

Ce manuel contient des instructions de sécurité et d'utilisation importantes pour le chargeur de batterie, modèle 1410 ou 1410E de Lincoln.

DANGER

Risque de choc électrique. Une tension de 120 V ca ou 240 ca est présente aux bornes du chargeur. Ne pas tester avec des objets conducteurs. Ne pas charger une batterie endommagée. La remplacer immédiatement.

1. Avant d'utiliser un chargeur de batterie, lire toutes les instructions et les avertissements sur le chargeur de batterie, la batterie ou le produit utilisant la batterie.
 2. MISE EN GARDE – Afin de réduire le risque de blessures, les chargeurs 1410 ou 1410E de Lincoln ne doivent être utilisés que pour charger la batterie, modèle 1401 et 1801 de Lincoln. D'autres types de batteries peuvent causer des blessures et des dommages. Ne pas charger des batteries du modèle 1401 et 1801 de Lincoln avec un autre chargeur.
 3. Ne pas exposer le chargeur à la pluie, la neige ni le gel.
 4. Ne pas abuser le cordon. Ne jamais porter le chargeur par le cordon ni tirer le cordon pour débrancher de la prise. Pour débrancher le chargeur, tirer sur la fiche plutôt que le cordon. Remplacer immédiatement un cordon endommagé ou usé, ainsi que l'isolateur tendeur. NE PAS ESSAYER DE REPARER LE CORDON D'ALIMENTATION.
 5. Vérifier que le cordon est placé pour qu'il ne soit pas possible de marcher dessus, de s'y accrocher et de trébucher ou de le soumettre à des dommages et de contraintes.
 6. Ne pas utiliser une rallonge à moins que ce soit absolument nécessaire. L'utilisation d'un mauvais cordon d'alimentation peut causer un incendie ou un choc électrique. En cas d'utilisation d'une rallonge, vérifier que :
 - A cette rallonge est branchée correctement et qu'elle est en bon état, électriquement.
 - B la rallonge est d'une taille suffisante et correspondante au tableau suivant.
- | | | | | |
|--|----------|---------|----------|----------|
| LONGUEUR DE LA RALLONGE, EN PIEDS (m) | 25 (7.5) | 50 (15) | 100 (30) | 150 (45) |
| TAILLE DES FILS AWG (mm ²) | 18 (1) | 18 (1) | 18 (1) | 16 (1.5) |
- C si une rallonge doit être utilisée à l'extérieur, elle doit être identifiée avec le suffixe W-A après les désignations de type de rallonge. Par exemple -SJTW-A pour indiquer qu'elle est utilisable à l'extérieur.
7. Ne pas utiliser le chargeur avec un cordon ou une fiche endommagé. Faire remplacer le cordon ou la fiche immédiatement pour éviter tout risque. NE PAS ESSAYER DE REPARER LE CORDON.

8. Ne pas faire fonctionner le chargeur s'il a reçu un impact violent, est tombé ou est endommagé d'une manière quelconque ; le faire inspecter par un technicien qualifié.
9. Ne pas démonter un chargeur ou une batterie. Les faire réparer par un technicien qualifié si nécessaire. Un mauvais assemblage peut causer un risque de choc électrique ou d'incendie.
10. Débrancher le chargeur de la prise avant toute intervention ou tout nettoyage, afin de réduire le risque de choc électrique.
11. Charger la batterie dans un endroit bien aéré, ne pas couvrir le chargeur ni la batterie avec un chiffon, etc. pendant la charge.
12. Ne pas remettre le chargeur ou la batterie dans un endroit (cabane de jardin métallique ou une voiture en été), où la température peut dépasser 5 °C (120 °F), ce qui peut conduire à la détérioration de la batterie.
13. Ne pas charger une batterie quand la température est INFÉRIEURE à 0 °C (32 °F) ou SUPÉRIEURE à 40 °C (104 °F). Ceci est très important afin de maintenir le bon fonctionnement.
14. Ne pas incinérer la batterie. Elle peut exploser dans un feu.
15. Ne pas charger la batterie dans un endroit humide ou mouillé.
16. Ne pas essayer de charger d'autres outils sans fil ou batteries avec le chargeur de batterie modèle 1410 ou 1410 E de Lincoln.
17. Ne pas court-circuiter les bornes de la batterie UNE TEMPERATURE EXTREMEMENT ELEVEE PEUT CAUSER DES BLESSURES OU UN INCENDIE.
18. Cet appareil n'est pas fait pour être utilisé par des personnes (y compris les enfants) à capacités physiques, sensorielles ou mentales réduites, ou qui manquent d'expérience ou de savoir; sauf si, ces personnes sont instruites ou supervisées durant l'utilisation de l'appareil par une personne responsable pour leur sécurité.
19. Les enfants doivent être surveillés pour assurer qu'ils ne jouent pas avec l'appareil.
20. Mettre les batteries usées au rebut d'une manière appropriée. La batterie modèle 1401 et 1801 de Lincoln contient des batteries au nickel cadmium. Ces batteries doivent être recyclées ou mises au rebut d'une manière appropriée. Déposer les batteries usées au détaillant de batteries local ou au centre de recyclage.

NOTA pour les utilisateurs aux Etats-Unis. Des frais applicables pour la collecte et le recyclage de ces batteries ont été payés au RBRCTM. Pour obtenir des renseignements complémentaires, appeler 1-800-8BATTERY.

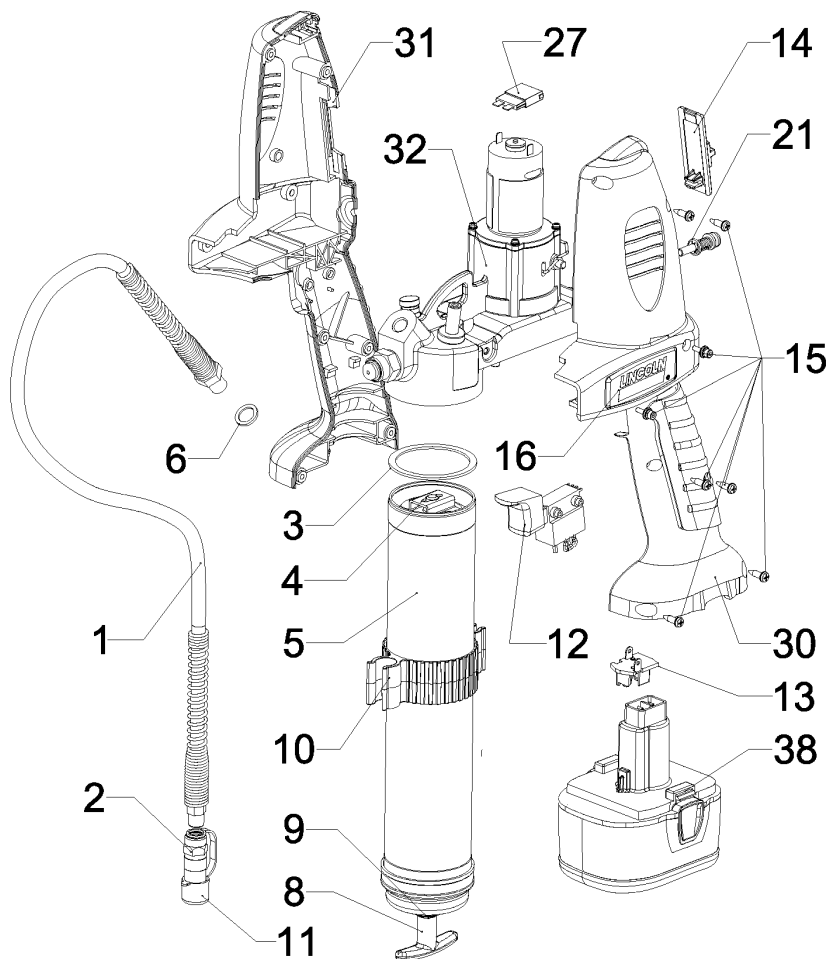


Figure 6

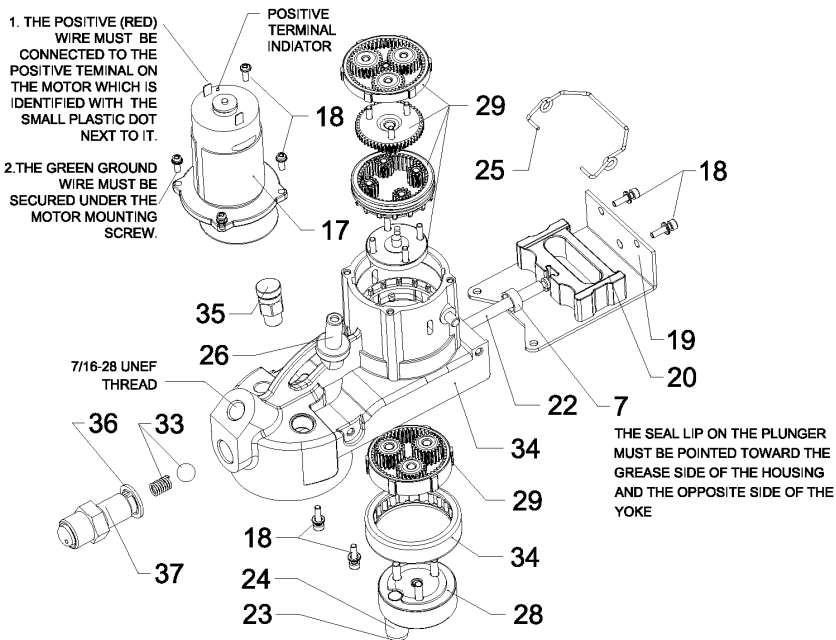


Figure 7

Liste des pièces de rechange©

Référence	Description	N° de catalogue
1	Tube flexible de 76 cm (30 in) (Modèles 1400, 1442, 1444)	1230
	Tube flexible de 76 cm (30 in) (Modèles 1442E, 1444E)	1230E
2	Coupleur (Modèles 1400, 1442, 1444)	5852
	Coupleur (Modèles 1442E, 1444E)	251-10124-7
3	Garniture	34793
4	Kit de piston	93485
5	Tube de graisse	271882
6	Kit de garniture	271884
7	Joint	271889
8	Kit de poignée	286090
9	Kit de tige du piston	286091
10	Kit d'agrafe du tuyau	286092
11	Kit de capuchon de coupleur	286093
12	Kit de gâchette	286095
13	Kit de terminal	286096
14	Kit de sélecteur de rapport	286097
15	Kit de quincaillerie de la poignée	286100
16	Kit d'autocollant	286101
17	Kit de moteur avec plaque	286103
18	Kit de quincaillerie de pompe	286105
19	Kit de couvercle de pompe	286106
20	Kit d'étrier	286107
21	Kit de indicateur d'impulsions	286108
22	Kit de piston	286109
23	Kit de goujon	286110
24	Kit de rouleau	286111
25	Kit de ressort de sélecteur	286113
26	Kit de clapet d'évent	286134
27	Kit de disjoncteur	286217
28	Kit d'Assemblée de conducteur	286285
29	Kit de jeu de pignons	286286
30	Poignée avec le kit de composant électrique	286303
31	Poignée avec le kit de vis	286304
32	Kit d'Assemblée de pompe	286305
33	Kit de clapet anti-retour	286306
34	Kit de carter de pompe avec roulement	286307
35	Kit de clapet de mise à l'air libre	286315
36	Kit de garniture	286316
37	Kit de soupape de sécurité	286317
38	Batterie de 14,4 V	1401
--	Chargeur	1410
--	Courroie	1414

© Indique le changement

DEPANNAGE

Problème	Cause possible	Remède
Le moteur ne fonctionne pas.	- La batterie a besoin d'être rechargée. - Mauvais branchement du moteur.	Recharger la batterie. Enlever la batterie, démonter la poignée et vérifier que tous les fils sont bien connectés.
Le PowerLuber ne distribue pas de graisse.	- Le tube de graisse est vide. - Perte de l'amorçage. - Le clapet à bille, référence 22, ne fonctionne pas.	Vérifier qu'il y a de la graisse dans le tube de graisse. Répéter l'opération d'amorçage. Déposer la référence 22 et nettoyer et inspecter le siège du clapet à bille.
Le PowerLuber continue à perdre l'amorçage.	- De l'air peut être emprisonné dans plusieurs endroits du conteneur après le remplissage en vrac. - Le piston peut se bloquer dans le tube de graisse.	Vider le tube de graisse, le remplir et répéter les instructions d'amorçage. Remplacer le tube de graisse, référence 9.
La batterie ne prend pas la charge.	- Le chargeur n'est pas sous tension. - Batterie défectueuse.	Vérifier que la prise est sous tension. Remplacer la batterie.

Modelle 1800, 1842, 1842E, 1844, 1844E
PowerLuber Fettspritze



Modelle 1400, 1442, 1442E, 1444, 1444E
PowerLuber Grease Gun (Fettspritze)
Serie „A“



Hinweis: Eine extra Batterie wird nur für Modelle 1844 und
1884E mitgeliefert
Grundlegendes Energie luber Modell 1800



Inhaltsverzeichnis

	Page
Allgemeine Sicherheitsregeln.....	28
Spezifische Sicherheit.....	29
Benutzung und Pflege des Werkzeuges.....	29
Pflege.....	29
Technische Daten.....	29
Allgemeine Beschreibung.....	30
Inspektion.....	31
Betrieb.....	31
Betrieb Des Ladegeräts.....	33
Sicherheitsanweisungen Für Ladegerät Und Batterien Diese Instruktionen Aufbewahren...35	
Explosionsdarstellungen und Teilliste.....	36
Fehlersuche.....	39
Englische Version.....	2
Französische Version.....	14
Spanische Version.....	40

ALLGEMEINE SICHERHEITSREGELN – FÜR ALLE BATTERIEBETRIEBENEN WERKZEUGE

ACHTUNG! ALLE ANWEISUNGEN LESEN UND VERSTEHEN.

Nichtbeachtung aller unten aufgeführten Anweisungen kann zu elektrischem Schlag, Feuer und/oder ernstlicher Personenverletzung führen.

DIESE ANWEISUNGEN AUFBEWAHREN.

Sicherheit

Vor dem Auspacken und dem Betrieb des PowerLuber Gerätes diese Gebrauchsanweisungen sorgfältig lesen und befolgen. PowerLuber nur in Gebrauch nehmen, wenn alle Sicherheitshinweise und diese Gebrauchsanweisungen völlig verstanden sind.

WARNUNG

PowerLuber niemals in einer explosiven Umgebung benutzen. Elektrische Werkzeuge können Funken erzeugen, die brennbare Flüssigkeiten, Staub oder Dämpfe entzünden können. Das Batterieladegerät nicht in feuchter oder nasser Umgebung benutzen

WARNUNG

Die Fettspritze kann hohen Druck entwickeln – bis zu 7,000 PSI (476 Bar). Während des Betriebs eine Sicherheitsbrille und Schutzhandschuhe tragen. Den offenliegenden Gummitel des Schlauches nicht berühren.

WARNUNG

Extrem hoher Druck kann dazu führen, dass die Düsenverlängerung oder der Verbindungsschlauch platzt. Nur von Lincoln GENEHMIGTE Schläuche verwenden und die Anweisungen und Warnungen den Verbindungsschlauch betreffend befolgen.

Arbeits-Bereichs-Sicherheit

Den Arbeitsplatz sauber und gut beleuchtet halten. Unaufgeräumte Werkbänke und dunkle Bereiche führen zu Unfällen.

Elektrisch betriebene Geräte nicht in einer explosiven Atmosphäre betreiben, wie z. B. in der Nähe von entzündlichen Flüssigkeiten, Gasen oder Staub. Elektrisch betriebene Geräte erzeugen Funken, die Staub oder Dünste entzünden können.

Beistehende, Kinder und Besucher entfernt halten, während ein elektrisches Gerät betrieben wird. Ablenkungen können dazu führen, dass Sie die Kontrolle verlieren.

Betriebssicherheit

Das Kabel darf nicht misshandelt werden. Die Ladegerät niemals am Kabel tragen. Das Kabel von Hitze, Öl, scharfen Kanten und beweglichen Teilen entfernt halten. Schadhafte Kabel sofort ersetzen. Schadhafte Kabel können ein Feuer verursachen. Ein batteriebetriebenes Werkzeug mit entfernbarer Batterie darf nur mit dem speziellen Ladegerät für diese bestimmte Batterie aufgeladen werden. Ein Ladegerät für eine gewisse Art Batterie kann eine Feuergefahr darstellen, wenn es mit einer anderen Batterie benutzt wird.

Ein batteriebetriebenes Werkzeug nur mit der speziell dafür geeigneten Batterie benutzen. Die Verwendung anderer Batterien kann eine Feuergefahr darstellen.

Persönliche Sicherheit

Während der Benutzung eines batteriebetriebenen Werkzeugs alert und aufmerksam bleiben und gesunden Menschenverstand walten lassen. Ein solches Werkzeug nicht benutzen, wenn man müde ist oder unter der Einwirkung von Drogen, Alkohol oder Medikamenten steht. Ein Augenblick der Unachtsamkeit während der Benutzung eines elektrischen Werkzeuges kann zu schwerer Personenverletzung führen.

Angemessene Kleidung verwenden. Keine losen Kleidungsstücke oder Schmuck tragen. Langes Haar zurückbinden. Haar, Kleidung und Handschuhe von beweglichen Teilen entfernt halten. Lose Kleidung, Schmuck und langes Haar können sich in beweglichen Teilen verfangen.

Werkzeuge mit dem Finger auf dem Schalter zu tragen oder die Batterie in ein Werkzeug einzubauen, während der Schalter auf „AN“ steht, kann zu Verletzungen führen.

Modelle 1800, 1842, 1842E, 1844, 1844E

PowerLuber Fettspritze



Spezifische Sicherheit

1. Immer einen Augenschutz tragen. PowerLuber kann bis zu 7,000 psi (476 bar) Druck erzeugen.
2. Nur einen 1218, 1224, 1230 oder 1236 Verbindungsschlauch von Lincoln benutzen. Fettinjektionswunden sind sehr ernsthaft. Den Schlauch nur bei der Schutzumwicklung halten.
3. Zufälligen Start vermeiden. Sicherstellen, dass beim Einsetzen der Batterie der Schalter nicht gedrückt ist.
4. Den Schlauch nicht knicken.
5. Den Schlauch beim ersten Anzeichen von Abnutzung, Knicken oder Schaden an der äußeren Umhüllung ersetzen.

Die normale Reichweite nicht überschreiten. Immer sicheren Stand und Gleichgewicht beibehalten. Der sichere Stand und das richtige Gleichgewicht geben in unerwarteten Situationen bessere Kontrolle über das Werkzeug.
Sicherheitsausrüstung benutzen. Immer einen Augenschutz tragen. Unter den entsprechenden Bedingungen Staubmaske, rutschfeste Sicherheitsschuhe, einen harten Helm oder Ohrenschutz verwenden.

Benutzung und Pflege des Werkzeuges

Ein Werkzeug nicht benutzen, wenn der Schalter es nicht ein- oder abschaltet. Ein Werkzeug, das nicht mit dem Schalter gesteuert werden kann, ist gefährlich und muss repariert werden.
Den Auslöser nicht weiter gedrückt halten, wenn die Fettspritze angehalten hat. Das könnte den Motor beschädigen oder ein Feuer starten.
Die Batterie aus dem Werkzeug nehmen oder den Schalter in die verriegelte bevor Einstellungen vorgenommen oder Zusatzgeräte ausgewechselt werden.
Das Werkzeug außerhalb der Reichweite von Kindern und anderen ungeschulten Personen lagern. Werkzeuge sind in den Händen von ungeschulten Benutzern gefährlich.
Wenn die Batterie nicht benutzt wird muss sie von anderen Metallobjekten getrennt aufbewahrt werden wie z. B.: Büroklammern, Münzen, Schlüssel, Nägeln, Schrauben oder anderen kleinen Metallgegenständen, welche die beiden Pole überbrücken können. Kurzschließen der Batteriepole kann zu Funken, Brennwinden oder Feuer führen.
Die Werkzeuge sorgfältig pflegen.

Auf falsche Ausrichtung oder Behinderung der beweglichen Teile prüfen, ebenso auf Bruchstellen und andere Umstände, die den Betrieb des Werkzeuges beeinflussen könnten. Ist das Werkzeug beschädigt, so muss es vor der Verwendung repariert werden. Viele Unfälle werden durch schlecht gewartete Werkzeuge verursacht.

Nur Zusatzgeräte verwenden, die vom Hersteller für Ihr Modell empfohlen werden. Nur Zusatzgeräte, die 7.000 PSI (482 bar) bewältigen können, dürfen benutzt werden

Zusatzgeräte, die für ein bestimmtes Werkzeug geeignet sind, können eine Verletzungsgefahr darstellen, wenn sie mit einem anderen Werkzeug benutzt werden.

Sachgemäße Verwendung

PowerLuber ist ausschließlich dazu bestimmt, mit 14,4 Volt Batterieantrieb Schmiermittel zu pumpen und zu verabreichen.

Die maximalen Nennwerte dürfen nicht überschritten werden.

Jegliche andere Verwendung, die nicht mit den Anweisungen übereinstimmt, führt zum Verlust der Garantieansprüche.

Pflege

Die Werkzeugpflege darf nur von qualifiziertem Reparaturpersonal durchgeführt werden. Reparatur oder Wartung, die von unqualifiziertem Personal durchgeführt wird, kann ein Unfallrisiko darstellen.
Beim Warten eines Werkzeugs nur identische Ersatzteile verwenden. Den Anweisungen im Wartungsteil dieses Handbuchs folgen. Die Verwendung von nicht genehmigten Teilen oder das Nichtbefolgen der Wartungsanweisungen kann zum Risiko eines elektrischen Schlages oder einer Verletzung führen.

Technische Daten

Grundmodell PowerLuber 1800

Betriebsstrom, Volt	18
Maximaler Betriebsdruck PSIG (Bar)	
- niedriger Ausstoß -	7000 (467)
- hoher Ausstoß -	3000 (204)
Kapazität des Schmiermittelbehälters	oz (cm3)
	14.5 (411)
Betriebstemperaturbereich *F (°C)	0 bis 120
	-18 - + 50
Betriebsstrom, Amp	4.0
Steuerpflichtiger Strom, Amp	5.0
Schmiermittel (Fett)	bis NLGI #2
Fettausgabe oz/min (gram/min)	
- niedriger Ausstoß	3.8 / 107.7
- hoher Ausstoß -	8.5 / 240.9
Gewicht, Lbs (Kg)	8.0 (3,6)
Zusatzgeräte:	
Batterie Modell 1801	
Leistung, Gleichstrom	18
Kapazität mAh	1900
Batterieladegerät Modell 1410	
Ladezeit	1 Stunde
Eingang, VAC (2.0 A)	120 V 50-60 Hz
Modell 1410E (für Europa)	
Ladezeit	1 Stunde
Eingang VAC, (1.0 A)	230 V 50 Hz
Auslaßschlauch Modell 1230	
Drucksicherheit	7,500 (510)
Schlauchlänge Zoll (mm)	30 (760)
Schalldruck (LpA) 73.5 dB(A), ungewissheit (K) 3 dB(A)	
Schalleistung (LwA) 84.5 dB(A), ungewissheit (K) 3 dB(A)	
Erschütterungsemissionswert (ah) 1.0 m/s ² , ungewissheit (K) 1.5 m/s ²	

Hinweis: Die Angaben über den Betriebsstrom und die Fettausgabe beziehen sich auf 1,000 PSI (69 Bar)

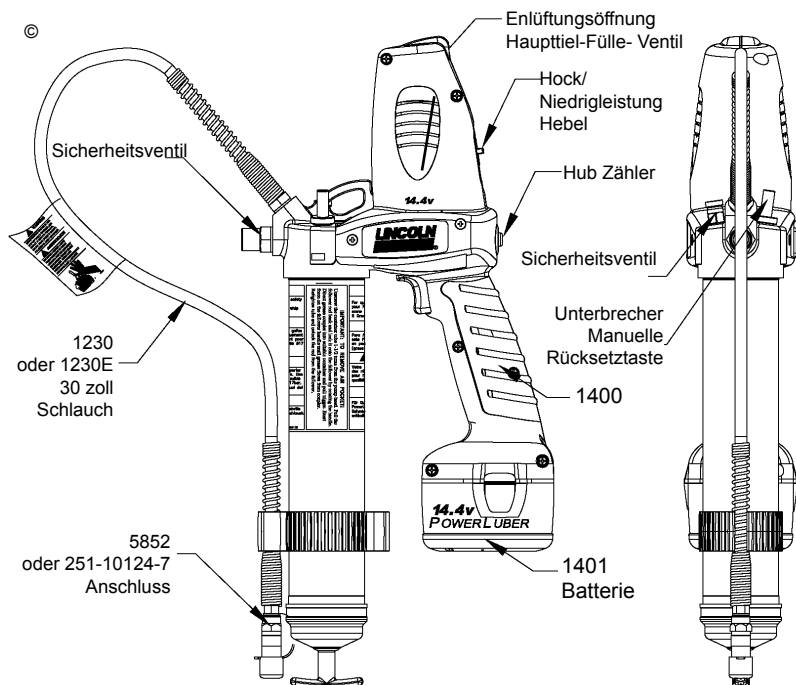
PowerLuber Leistung

(an 72°F (22°C) mit NLGI #2 Fett)

Ausgangsdruk, P/in	0	1,000	2,000	3,000	4,000	5,000	6,000
Schläuche des Fetts (14.5oz (411gr)) pro eine Batterie	12	10	5.5	4	2	1.5	<1

Modelle und Bestandteile

Modell	Grundgerät	Batterie	Ladegerät
1842	1800	1801	1410
1842E	1800	1801	1410E
1844	1800	1801(2)	1410
1844E	1800	1801(2)	1410E



© Zeigt Änderung an

Abbildung 1

Allgemeine Beschreibung

PowerLuber von Lincoln ist eine ganz batteriebetriebene automatische Fettspritze. Sie wurde für die manuelle Schmierung der Schmierpunkte entwickelt und enthält einen Unterbrecher, der den Motor bei überhöhtem Druck (7000 PSI oder 476 Bar), oder bei Blockierung eines Lagers, eines Anschlusses oder einer Schmierleitung abschaltet.

PowerLuber wird von einem kleinen elektrischen Motor mit niedriger Spannung angetrieben, der mit einem dreistufigen Planetengetriebe verbunden ist. Die Rotationsbewegung des Motors wird in eine Hin- und Herbewegung des Kolbens verwandelt, wozu ein Jochmechanismus benutzt wird. Der PowerLuber ist eine einfach wirkende positive Verdrängungspumpe.

Sicherheitsventil

Das Druckbegrenzungsventil ist werkseitig auf 7.000 PSIG (482 bar) eingestellt. Dieses Ventil ist auch ein Indikator für den Zustand von Lagern und der Schmierleitung.

Tritt aus dem Druckentlastungsventil Fett aus, so zeigt diese an, dass das Lager verstopft ist oder fest sitzt, dass der Fettanschluss verstopft oder die Schmierleitung blockiert ist. Diesen Zustand erst beheben, bevor der Schmiervorgang mit PowerLuber fortgesetzt wird.

Unterbrecher

Der Schutzschalter zeigt auch den Zustand der Lager oder der Schmierleitung an. Wenn die rote Taste hochschnellt, zeigt das an, dass ein Lager verstopft oder schwergängig ist, oder dass ein Fettanschluss oder eine Schmierleitung blockiert ist. Dies muss in Ordnung gebracht werden, bevor man rücksetzt und mit dem PowerLuber weiterschmiert.

Hubzähler

Das Werkzeug kann kalibriert werden. Dazu misst (wiegt) man den ausgehenden Fettfluss und teilt das Fettgewicht durch die Anzahl der Hübe. Einfach während des Betriebs mit dem Daumen auf die Hubzählertaste drücken (Abbildung 1) und zählen.

Einige Erstausrüster empfehlen die exakte Fettmenge zur Schmierung kritischer Lager. Durch Zählen der Hübe wissen Sie, wieviel Fett zur Schmierung des Lagers ausgegeben worden ist. Es folgt eine Tabelle, welche die Fettausgabe vs. Anzahl der Hübe zeigt:

Hubzahl	Ausgabe / Hub	
	oz	gram
10	0.20	5,7
15	0.30	8,5
20	0.40	11,4

Hinweis: Lincoln empfiehlt die Verwendung nur für den Niedrigausstoß / Hochdruckmodus.

INSPEKTION

Das Gerät visuell auf beschädigte, lose oder fehlende Teile prüfen. Ist das Gerät abgenutzt oder beschädigt, muss es aus dem Dienst gezogen werden. Ein autorisiertes Kundendienstzentrum mit der Schadenseinschätzung oder Reparatur betrauen.

BETRIEB

Änderung der Leistung/des Drucks Zur Änderung der Betriebsart:

VORSICHT

Um Schaden an den Zahnrädern im Getriebe zu verhindern, muss der Motor völlig gestoppt werden, bevor die Gänge in die „L“ oder „H“ (niedrig oder hoch) Betriebsart geschaltet werden.

„L“ (niedere Leistung/hoher Druck)

„H“ hohe Leistung / niederer Druck)

Wenn der Motor nicht läuft, den roten Hebel bewegen (Abb. 1), bis der Buchstabe „L“ oder „H“ im Anzeigefenster völlig sichtbar ist.

Falls der rote Hebel nicht völlig umgelegt / eingerastet ist, den Hebel festhalten und den Schalter drücken, um die Zahnräder eingreifen zu lassen.

Hohe Leistung wird empfohlen, wenn das Werkzeug zum Schmieren großer Lager benutzt wird, wozu kein hoher Druck über 3.000 PSI (209 bar) benötigt wird. Hohe Leistung wird auch empfohlen, wenn das Werkzeug benutzt wird, um kleine Behälter in automatischen Schmiersystemen aufzufüllen.

Niedrige Leistung wird empfohlen, wenn das Werkzeug dazu benutzt wird, Baumaschinen oder Bergbaumaschinen zu schmieren, oder für allgemeine Schmiervorgänge. Niedrige Leistung resultiert im maximalen Druck bis zu 7.000 PSI (482 bar), den das Werkzeug produzieren kann.

Nach jeder Nachfüllung oder dem Ersatz der Schmiermittelpatrone muss PowerLuber vorgefüllt werden. Die Spritze vorfüllen, bevor sie zur Schmierung der Schmierpunkte verwendet wird.

Zum Vorfüllen wird die Spritze betrieben, bis Fett aus dem Schlauch tritt. Luftblasen mit Hilfe des Entlüftungsventils entfernen (Abbildung 1, Seite 30).

Einbau der Fettpatrone

1. Die Fettrohrleitung vom powerluber schrauben ab.
2. Vor Einbau der neuen Patrone visuell die Ausrichtung der Mitnehmerdichtungslippe prüfen. Zum Einbau der Patrone muss die Mitnehmerdichtungslippe zum Mitnehmerhandgriff hin oder zur Rückseite ausgerichtet sein. Die Mitnehmerdichtung umdrehen und wieder einbauen.
3. Den Mitnehmerhandgriff zurückziehen und die Mitnehmerstangenute in den Schlitz an der Rohrkappe einrasten lassen.
4. Die Plastikcappe von der Fettpatrone abnehmen und die Patrone in das Behälterrohr einführen.
5. Die Aufreißlasche von der Fettpatrone entfernen und die Fettrohreinheit in die Pumpe einschrauben.
6. Die Fettrohrleitungrückseite auf das powerhead Gewinde.
7. Die Mitnehmerstange aus dem Schlitz entfernen. Die Pumpe völlig entlüften. Siehe die Entlüftungsanweisungen.

VORSICHT

Durch Luftblasen im Inhalt der Fettpatrone verliert die Spritze seine Saugkraft.

Entnehmen der leeren Fettpatrone

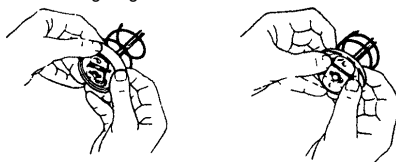
1. Den Mitnehmerhandgriff zurückziehen, bis die Mitnehmerstange voll ausgezogen ist, und die Nute in der Mitnehmerstange in den Schlitz an der Rohrkappe einrasten.
2. Die Fettrohrbaugruppe vom PowerLuber abschrauben.
3. Den Mitnehmerhandgriff vorsichtig freigeben, damit die leere Patrone aus dem Behälterrohr ausgestoßen wird.

Umbau Der Pumpe Für Die Füllung Aus Einem Grossmengenbehälter Oder Mit Einer Füllpumpe

- 1) Fetrohrkappeneinheit von der Rohrbaugruppe abschrauben. Am Mitnehmerhebel ziehen, um Mitnehmer und Feder aus der Fetrohrbaugruppe zu entfernen.
- 2) Den Mitnehmer zwischen Daumen und Zeigefinger fassen und die Mitnehmerlippe von der Rückseite nach vorne wenden.

HINWEIS: Der Mitnehmer ähnelt einer Tasse. Wenn die Spritze zur Benutzung mit einem Großmengenbehälter zusammengebaut ist, zeigt seine Öffnung zur Pumpeneinheit hin.

- 3) Den Mitnehmer wieder in die Fetrohrreinheit einbauen und den Mitnehmerhebel so positionieren, dass die Fetrohrkappe auf dem Behälter festgezogen werden kann.



RÜCKSEITE VORDERSEITE
Abbildung 2

Füllung Der Spritze Vom Grossmengenbehälter

- 1) Pumpenbaugruppe von der Fetrohrreinheit nehmen.
- 2) Schmiermittel in die Höhlung der Pumpe packen.
- 3) Das offene Ende des Fetrohrs in das Schmiermittel stecken. Den Mitnehmerhebel langsam zurückziehen, während man das Fetrohr tiefer in das Schmiermittel schiebt, um zu vermeiden, dass Luftblasen in das Fetrohr gezogen werden.
- 4) Wenn der Mitnehmerstab voll ausgezogen ist, wird er zur Seite und in die Schlüssellochritze in der Fetrohrkappe gezogen.
- 5) Die Pumpeneinheit lose mit der Fetrohrreinheit verbinden. Die Mitnehmerstange aus der Kappe der Fetrohrreinheit nehmen und vom Mitnehmer lösen, indem man den Mitnehmerhebel dreht. Die Mitnehmerstange in das Fetrohr schieben.

Das Fetrohr langsam von der Pumpe abschrauben, bis aus der Trennstelle Fett zu dringen beginnt. Nun die Fetrohrreinheit fest in die Pumpe einschrauben.

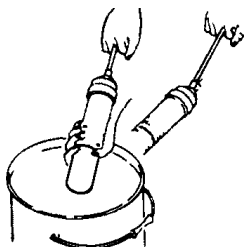


Abbildung 3

Füllen Der Spritze Mit Einer Füllpumpe

Die Mitnehmerstange durch Drehen des Mitnehmerhebels mit dem Mitnehmer verbinden. Setzen Sie die Gewehrentlüftungsöffnung/das Hauptteilfülleventil in die Füllerpumpe Einfassung ein. Die Pumpe in Betrieb nehmen, um den Behälter zu füllen. Wenn die Mitnehmerstangennut offen liegt, ist das Fetrohr voll. Die Mitnehmerstange wird bis zu etwa 8 Zoll (20 mm) ausgezogen. Die Mitnehmerstange durch Drehen des Mitnehmerhebels vom Mitnehmer trennen. Die Mitnehmerstange in das Fetrohr schieben.

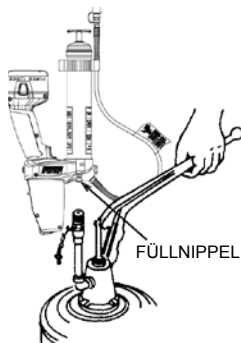


Abbildung 4

▲ WICHTIG

Luftblasen entfernen! Eine Luftblase am Fetteinlass verhindert, dass das Schmierfett gepumpt wird. Kleine Luftblasen werden durch gelegentliches Drücken des Entlüftungsventils eliminiert. Falls die Luftblase groß ist und nach Ziehen des Auslösers für 15 Sekunden kein Fett aus dem Verbindungsstück fließt, die folgenden Schritte befolgen.

Entlüftung

1. Mitnehmerstange aus der Fettrohrkappe nehmen und durch Drehen des Mitnehmerhebels mit dem Mitnehmer verbinden. Druck auf den Mitnehmerhebel ausüben, während man das Entlüftungsventil 23 niederhält (Abbildung 7)
2. Schrauben Sie die Entlüftungsöffnung/Hauptteil Umdrehungen des Füllventils zwei ab. Wenden Sie Kraft auf dem Nachfolgerhandgriff an, bis Fett die Öffnung in der Entlüftungsöffnung/im Hauptfüllventil durchfließt.
3. Ziehen Sie die Entlüftungsöffnung/das Hauptfüllventil fest.
4. Ziehen Sie den Auslöser in den kurzen Stößen, um Gewehr laufen zu lassen, bis aufgefangene Luft weggetrieben ist. Lösen Sie die Nachfolgerstange vom Nachfolger, indem Sie den Nachfolgerhandgriff drehen. Drücken Sie die Nachfolgerstange in die Fettröhrlleitung.
5. Bleibt Schritt 2 erfolglos, so schraubt man das Fettrohr um 1 ½ Umdrehungen aus der Pumpe.
6. Auf den Mitnehmerhebel drücken, bis Fett aus der Verbindungsstelle zwischen Fettrohr und Pumpe austritt.
7. Das Fettrohr in der Pumpe festziehen. Die Mitnehmerstange durch Drehen des Mitnehmerhebels vom Mitnehmer lösen. Die Mitnehmerstange in das Fettrohr schieben.

BETRIEB DES LADEGERÄTS

LADEN DER BATTERIE

Vor der ersten Benutzung des PowerLuber muss die Batterie **12 Stunden** lang aufgeladen werden. Ist die Batterie schon im PowerLuber eingebaut, so muss sie mit der Methode, die im Abschnitt. Folgen Sie dem Abschnitt Ladeverfahren.

LADEVERFAHREN







Sicherstellen, dass die Spannung des Stromkreises derjenigen entspricht, die auf dem Spezifikations-etikett des Ladegerätes genannt wird. Das Ladegerät an die Stromquelle anschließen.

1. Vor Einsetzen der Batterie das Ladegerät mit einer geeigneten Steckdose verbinden.
2. Die Batterie in das Ladegerät stecken. Das rote (Ladung) Licht blinkt fortwährend, was anzeigt, dass der Ladevorgang begonnen hat.
3. Das Ende des Ladevorgangs wird dadurch angezeigt, dass das rote (Ladung) Licht dauernd AN bleibt. Die Batterie ist nun ganz aufgeladen und kann benutzt werden.
4. Die Batterie kann an der Erhaltungsladung bleiben, bis man sie benutzen will.
5. Nach der Benutzung muss das Ladegerät von der Stromquelle getrennt werden.

VORSICHT

120/230 Volt an den Ladepunkten. Nicht mit leitenden Objekten berühren. Gefahr von elektrischem Schlag oder tödlichem Stromstoß.

ANZEIGELICHT

BATTERIE LÄDT.....	
VOLL GELADEN.....	
BATTERIE ERSETZEN.....	
PROBLEM IN DER LEITUNG.....	
HEISSE UND KALTVER	
PACKUNGSE-VERZÖGERUNG	

LADEANZEIGEN

Das Ladegerät entdeckt gewisse Probleme, die in Batterien entstehen können. Probleme werden durch schnelles Blinken eines roten Lichtes angezeigt. In diesem Falle, steckt man die Batterie wieder in das Ladegerät. Besteht das Problem weiter, so versucht man eine andere Batterie, um festzustellen, ob das Ladegerät in Ordnung ist. Lädt die neue Batterie ordnungsgemäß, so war die erste defekt und muss an ein Kundendienstzentrum zurückgeschickt oder einer anderen Recyclingstelle übergeben werden. Zeigt die zweite Batterie das gleiche Problem, so muss das Ladegerät von einem autorisierten Kundendienst überprüft werden.

BELASSEN DER BATTERIE IM LADEGERÄT

Ladegerät und Batterie können bei leuchtendem roten Licht auf unbestimmte Zeit verbunden bleiben. Das Ladegerät hält die Batterie frisch und voll geladen.

HINWEIS: Außerhalb des Ladegerätes tritt ein langsamer Verlust der Batterieladung ein. Würde die Batterie nicht auf Erhaltungsladung belassen, so muss sie eventuell vor Benutzung geladen werden. Eine Batterie kann ihre Ladung auch langsam verlieren, wenn sie in einem Ladegerät steckt, das nicht mit einer angemessenen Wechselstromquelle verbunden ist.

Wenn eine Batterie sich dem entladenen Zustand nähert, bemerkt man einen scharfen Abfall der Werkzeugleistung. Kann das Werkzeug seine Aufgabe nicht mehr erfüllen, dann ist es Zeit, die Batterie aufzuladen. Aufladen, bevor dieser Punkt erreicht ist, verkürzt die Lebensdauer der Batterie. Entladung der Batterie über diesen Punkt hinaus kann sie beschädigen.

HINWEIS: Die Temperatur der Batterie steigt während und kurz nach Ihrer Verwendung an. Batterien nehmen eventuell keine volle Ladung auf, wenn sie sofort nach Benutzung geladen werden. Die Batterie muss vor der Ladung auf Raumtemperatur abkühlen, um beste Resultate zu erzielen.

VORSICHT: Die Entlüftungsschlitze an der Ober- und Unterseite des Ladegerätes dürfen nicht blockiert werden. Die Batterie nicht bei Temperaturen UNTER 32° F (0°C) oder ÜBER 104° F (40° C) aufladen.

Wichtige Hinweise zum Aufladen

1. Die längste Lebensdauer und beste Leistung werden erzielt, wenn die Batterie bei Temperaturen zwischen 65° F und 75° F (18°-24°C) aufgeladen wird. Die Batterie NICHT in Lufttemperaturen unter +32° F (0°C) oder über 105° F (+40,5°C) auf-laden. Dies ist wichtig und verhindert ernstliche Beschädigung der Batterie.
2. Ladegerät und Batterie können sich während des Ladevorgangs warm anfühlen. Dies ist normal und deutet kein Problem an.
3. Wenn die Batterie sich nicht ordnungs-gemäß auflädt,
 - a. den Strom an der Steckdose überprüfen, indem man eine Lampe oder ein anderes Gerät einsteckt.
 - b. nachprüfen, ob die Steckdose mit einem Lichtschalter verbunden ist, der beim Ausschalten des Lichts den Strom abstellt.
 - c. Ladegerät und Batterie an einen Ort bringen, an dem die Lufttemperatur ungefähr 65° F – 75° F (18°C – 24° C) ist.
 - d. Falls die Ladeprobleme fortauern, bringt man das Werkzeug, die Batterie und das Ladegerät zum örtlichen Kundendienstzentrum.
4. Die Batterie muss aufgeladen werden, wenn sie nicht mehr genügend Strom liefert für Aufgaben, die vorher leicht bewältigt wurden. SIE DARF UNTER DIESEN BEDINGUNGEN NICHT WEITER BENUTZT WERDEN. Den Ladeanweisungen folgen. Man kann auch eine schon teilweise benutzte Batterie ohne nachteilige Folgen wieder aufladen.
5. Unter bestimmten Umständen kann es vorkommen, dass bei eingestecktem Ladegerät die freiliegenden Kontakte innerhalb des Ladegerätes durch Fremdmaterial kurzgeschlossen werden. Leitende Fremdmaterialien wie z. B. Stahlwolle, Aluminiumfolie oder andere Ansammlungen von Metallpartikeln – aber nicht beschränkt auf diese – müssen von den Hohlräumen des Ladegerätes ferngehalten werden. Das Ladegerät immer von der Stromquelle trennen, wenn sich keine Batterie in ihm befindet. Das Ladegerät vor Reinigungsarbeiten trennen.
6. Das Ladegerät nicht gefrieren lassen oder in Wasser oder andere Flüssigkeiten eintauchen.

WARNUNG

Keine Flüssigkeiten in das Ladegerät eindringen lassen. Das könnte zu einem elektrischem Schlag führen. Um die Abkühlung der Batterie nach dem Gebrauch zu erleichtern, das Ladegerät oder die Batterie nicht zu einer warmen Stelle bringen wie einem Metallschuppen oder einem nicht isolierten Anhänger.

WARNUNG

Niemals und aus keinem Anlass versuchen, die Batterie zu öffnen. Das Plastikgehäuse der Batterie zu einem Kundendienstzentrum bringen, falls es bricht oder Risse hat.



Abbildung 5

**SICHERHEITSANWEISUNGEN FÜR LADEGERÄT UND BATTERIEN
DIESE INSTRUKTIONEN AUFBEWAHREN**

Dieses Handbuch enthält wichtige Sicherheits- und Betriebsanweisungen für die Batterieladegeräte Modell 1410 oder 1410E von Lincoln.

GEFAHR

Risiko eines elektrischen Schlages. 120 oder 230 Volt Wechselstrom an den Polen des Ladegeräts. Nicht mit leitenden Objekten berühren. Beschädigte Batterien nicht aufladen. Sofort ersetzen.

1. Vor der Benutzung eines Batterieladegerätes alle Anweisungen und Sicherheitsinstruktionen auf dem Batterieladegerät, der Batterie und dem Produkt, das die Batterie verwendet, lesen.
 2. **VORSICHT:** Zur Verringerung der Verletzungsgefahr sollen die Batterieladegeräte Modell 1410 oder 1410E von Lincoln nur dazu benutzt werden, die Batterie 1801 von Lincoln aufzuladen. Andere Batterien können explodieren und Personenverletzungen und Schäden hervorrufen. Die Batterie 1801 von Lincoln nicht mit anderen Ladegeräten aufladen.
 3. Das Ladegerät nicht Regen, Schnee oder Frost aussetzen.
 4. Das Kabel nicht misshandeln. Das Ladegerät niemals am Kabel tragen oder daran ziehen, um es von der Stromquelle zu trennen. Am Stecker ziehen, nicht am Kabel, um das Ladegerät von der Stromquelle zu trennen. Beschädigte oder abgenutzte Kabel und Entlaster sofort ersetzen. **NICHT VERSUCHEN, STROMKABEL ZU REPARIEREN.**
 5. Darauf achten, das Kabel so zu legen, dass niemand darauf treten, darüber stolpern oder es anderen Arten von Stress aussetzen kann.
 6. Verlängerungskabel nur im Notfall benutzen. Die Benutzung eines unvorschriftsmäßigen Verlängerungskabels könnte zum Risiko von Feuer oder elektrischem Schlag führen. Wenn ein Verlängerungskabel benutzt werden muss, sicherstellen, dass:
 - A das Verlängerungskabel richtig verdrahtet und in gutem Zustand ist,
 - B die Drahtstärke mindestens den Vorschriften in der folgenden Tabelle entspricht:
- | | | | | |
|-----------------------|----------|---------|----------|----------|
| LÄNGE IN FUSS (M) | 25 (7.5) | 50 (15) | 100 (30) | 150 (45) |
| AWG KABELGRÖSSE (mm2) | 18 (1) | 18 (1) | 18 (1) | 16 (1.5) |
- C Muss ein Verlängerungskabel im Freien benutzt werden, so muss es mit der Nachsilbe W-A gekennzeichnet werden, die den Kabelbestimmungsangaben folgt – z. B. –SJTW-A, um zu bestätigen, dass es für den Gebrauch im Freien geeignet ist.
7. Ein Ladegerät nicht benutzen, wenn das Kabel oder der Stecker beschädigt ist. Sofort ersetzen lassen, um Gefahren zu vermeiden. **NICHT VERSUCHEN, EIN STROMKABEL ZU REPARIEREN.**
 8. Ein Ladegerät nicht benutzen, wenn es einem harten Schlag ausgesetzt wurde, gefallen ist oder sonst irgendwie beschädigt wurde. Zu einem quali-

- fizierten Kundendienstvertreter bringen.
9. Ladegerät oder Batterie nicht auseinanderbauen. Wenn Wartung oder Reparatur nötig ist, zu einem qualifizierten Kundendienstvertreter bringen. Unvorschriftsmäßiger Zusammenbau kann zur Gefahr eines elektrischen Schlages oder zu Feuergefahr führen.
 10. Um das Risiko eines elektrischen Schlages zu verringern, das Ladegerät von der Stromquelle trennen, bevor Wartungs- oder Reinigungsarbeiten vorgenommen werden.
 11. Die Batterie in einem gut gelüfteten Raum aufladen. Das Ladegerät und die Batterie während des Ladens nicht mit einem Tuch o. ä.. abdecken.
 12. Ladegerät oder Batterien nicht an Orten (wie Metallwerkzeugschuppen oder im Sommer in einem Auto) aufbewahren, wo die Temperatur 122° F (50° C) erreichen oder überschreiten kann, was zur Beschädigung der gelagerten Batterie führen kann.
 13. Die Batterie nicht aufladen, wenn die Temperatur UNTER 32° F (0° C) oder ÜBER 104° F (40° C) beträgt. Dies ist für den vorschriftsmäßigen Betrieb sehr wichtig.
 14. Die Batterie nicht verbrennen, sie kann im Feuer explodieren.
 15. Die Batterie nicht in feuchter oder nasser Umgebung aufladen.
 16. Keine anderen schnurlosen Werkzeuge oder Batterien mit Ladegerät Modell 1410 oder 1410E von Lincoln aufzuladen versuchen.
 17. Die Batteriepole nicht kurzschließen. **DIE EXTREM HEISSEN TEMPERATUREN KÖNNTEN ZU VERLETZUNGEN ODER FEUER FÜHREN.**
 18. Dieses Gerät ist nicht dafür bestimmt, durch Personen (einschließlich Kinder) mit eingeschränkten physischen, sensorischen oder geistigen Fähigkeiten oder mangels Erfahrung und/oder mangels Wissen benutzt zu werden, es sei denn, sie werden durch eine für ihre Sicherheit zuständige Person beaufsichtigt oder erhalten von ihr Anweisungen, wie das Gerät zu benutzen ist.
 19. Kinder sollten beaufsichtigt werden, um sicherzustellen, dass sie nicht mit dem Gerät spielen.
 20. Unbrauchbare Batterien vorschriftsmäßig entsorgen. Batteriepaket Modell 1801 von Lincoln enthält wieder aufladbare Nickel-Cadmiumbatterien. Diese Batterien müssen wieder aufbereitet oder vorschriftsmäßig entsorgt werden. Das unbrauchbare Batteriepaket beim örtlichen Ersatzbatteriehändler oder beim Recyclingzentrum abgeben.

HINWEIS für Verbraucher in den Vereinigten Staaten:
Gebühren für die Annahme und das Recycling dieser Batterien sind an RBRCTM bezahlt worden. Für weitere Information rufen Sie bitte 1-800-8BATTERY.

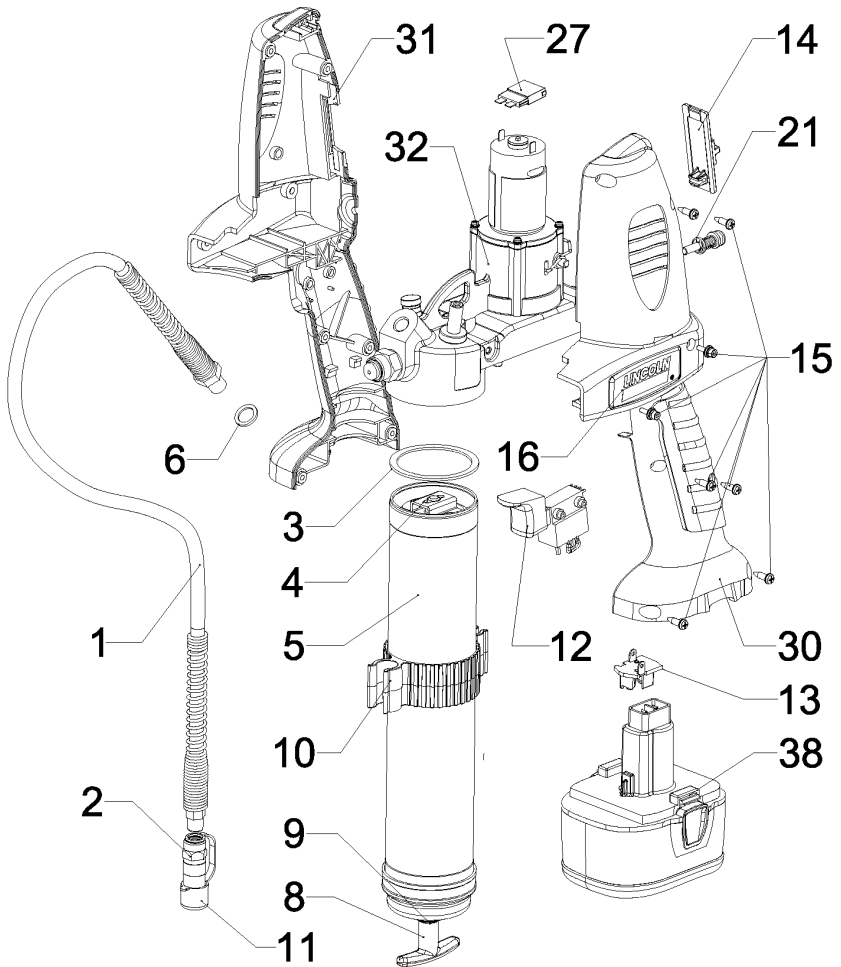


Abbildung 6

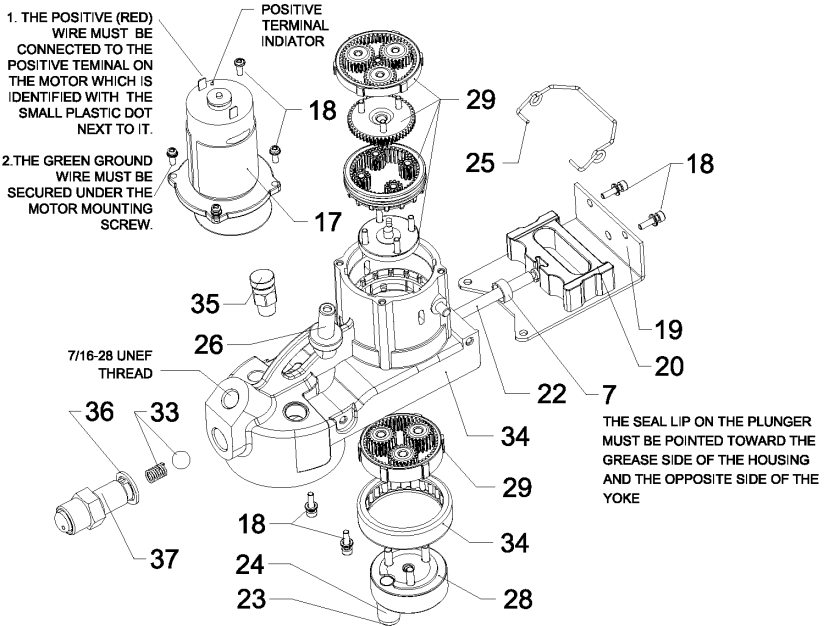


Abbildung 7

Halten Sie Stückliste Instand©

Teil	Beschreibung	Teilnummer
1	Flexibler Schlauch 30 Zoll (Modelle 1400, 1442, 1444)	1230
	Flexibler Schlauch 30 Zoll (Modelle 1442E, 1444E)	1230E
2	Anschluss (Modelle 1400, 1442, 1444)	5852
	Anschluss (Modelle 1442E, 1444E)	251-10124-7
3	Packung	34793
4	Mitnehmerbaugruppensatz	93485
5	Fettrohrbaugruppe	271882
6	Dichtungs-Installationssatz	271884
7	Dichtung	271889
8	Handgriffsatz	286090
9	Stab, Mitnehmersatz	286091
10	Schlauchklammersatz	286092
11	Anschlusskappensatz	286093
12	Auslösersatz	286095
13	Batteriepolersatz	286096
14	Gangwahlsatz	286097
15	Kleinteilesatz, Handgriff	286100
16	Aufklebersatz	286101
17	Motor mit Plattesatz	286103
18	Pumpenkleinteilesatz	286105
19	Pumpendeckelsatz	286106
20	Jochsatz	286107
21	Hubanzeigersatz	286108
22	Kolbensatz	286109
23	Bolzensatz	286110
24	Rollesatz	286111
25	Federselektorsatz	286113
26	Entlüftungsventilsatz	286134
27	Unterbrechersatz	286217
28	Fahrer-Versammlungs-Installationssatz	286285
29	Zahnradatzsatz	286286
30	Handgriff mit elektrischer Bestandteil-Installationssatz	286303
31	Handgriff mit Schrauben-Installationssatz	286304
32	Pumpen-Versammlungs-Installationssatz	286305
33	Rückschlagventilsatz	286306
34	Pumpengehäuse mit Lagersatz	286307
35	Entlüftungsventil-Installationssatz	286315
36	Dichtung	286316
37	Sicherheitsventil-Installationssatz	286317
38	Batterie 14.4V	1401
--	Anschlusskappensatz	1410
--	Bügel	1414
--	Fall	286135



FEHLERSUCHE

Zustand	Mögliche Ursache	Behebung
Motor dreht sich nicht.	-Batterie muss geladen werden. -Motor ist falsch verdrahtet.	Batterie aufladen. Drähte auf lose Verbindungen überprüfen.
PowerLuber gibt kein Schmierfett aus.	-Fetrohr enthält kein Fett -Verlust der Saugkraft -Rückschlagventil Teil 22 funktioniert nicht	Sicherstellen, dass das Fetrohr Fett enthält. Vorfüllung wiederholen. Teil 22 ausbauen und Bereich des Rückschlagventils reinigen und inspizieren.
PowerLuber verliert dauernd die Saugkraft.	- Nach dem Füllen aus dem Großmengenbehälter kann Luft an verschiedenen Stellen im Behälter eingeschlossen worden sein. - Der Mitnehmer kann im Rohr klemmen.	Fetrohr leeren, neu füllen und die Vorfüllung gemäß Anweisungen wiederholen. Fetrohreinheit Teil 9 ersetzen.
Die Batterie nimmt die Ladung nicht an.	- Das Ladegerät steht eventuell nicht unter Strom. - Eventuell ist die Batterie tot.	Überprüfen, ob die Steckdose Strom führt. Batterie ersetzen.

Modelos 1400, 1442, 1442E, 1444, 1444E
Engrasador PowerLuber
Serie "A"

Nota: Pila adicional incluida solamente en los Modelos 1844 y 1844E



Contenido

	Página
Reglas De Seguridad Generales.....	41
Reglas específicas de la seguridad.....	41
Uso y cuidado de la herramienta.....	42
Servicio.....	42
Especificación.....	42
Descripción general.....	43
Inspección.....	44
Operación.....	44
Operación del Cargador.....	46
Instrucción de seguridad para el cargador y baterías.....	47
Vista detallada y lista de piezas	49
Localización y Resolución de Problemas.....	52
Versión inglesa.....	2
Versión francesa.....	14
Versión alemana.....	27

REGLAS DE SEGURIDAD GENERALES – PARA TODAS LAS HERRAMIENTAS ALIMENTADAS POR PILAS ¡ADVERTENCIA! LEA Y ENTIENDA TODAS LAS INSTRUCCIONES.

De no seguir todas las instrucciones indicadas abajo se pueden producir descargas eléctricas, incendios y lesiones personales graves.

GUARDE ESTAS INSTRUCCIONES.

Seguridad

Lea y observe detenidamente estas instrucciones de operación antes de desempacar y hacer funcionar el engrasador PowerLuber. Haga funcionar el PowerLuber únicamente después de haber entendido por completo las instrucciones de seguridad de este manual de operación.

! ADVERTENCIA

No haga funcionar nunca el PowerLuber en atmósferas explosivas. Las herramientas eléctricas pueden formar chispas que pueden inflamar los líquidos, el polvo o los humos inflamables.

No use el cargador de pilas en lugares húmedos o mojados.

! ADVERTENCIA

El engrasador puede alcanzar presiones altas de hasta 7000 lb/pulg² (476 bares). Use gafas de seguridad y guantes para su durante la operación. No acerque las manos a la parte de goma expuesta de la manguera.

! ADVERTENCIA

Las presiones extremas pueden hacer que la extensión de la boquilla o la manguera flexible reviente. Use solamente mangueras APROBADAS por Lincoln y siga las instrucciones y advertencias de la manguera flexible.

Seguridad del área de trabajo

Mantenga su área de trabajo limpia y bien iluminada. Los bancos desorganizados y las áreas oscuras invitan a que se produzcan accidentes. No opere herramientas eléctricas en atmósferas explosivas, como en presencia de líquidos inflamables, gases o polvo. Las herramientas eléctricas pueden producir chispas que pueden inflamar el polvo o los vapores. No deje que se acerquen espectadores, niños y visitantes mientras se hace funcionar una herramienta eléctrica. Las distracciones pueden hacer que se pierda el control.

Seguridad eléctrica

No abuse el cordón. No use nunca el cordón para transportar el cargador. No acerque el cordón al calor, aceite, filos o piezas móviles. Reemplace los cordones dañados de inmediato. Los cordones dañados pueden ocasionar incendios.

Una herramienta operada por pilas con un grupo de pilas separadas debe recargarse solamente con el cargador especificado para la pila. Un cargador que pueda ser idóneo para un tipo de pila puede crear un riesgo de incendio cuando se use con otra pila. Use la herramienta operada por pilas solamente con un grupo de pilas diseñado específicamente. El uso de cualquier otra pila puede crear un riesgo de incendio.

Seguridad personal

Esté alerta, mire lo que está haciendo y haga uso del sentido común al hacer funcionar una herramienta eléctrica. No use la herramienta cuando haya cansancio o esté bajo la influencia de drogas, alcohol o medicación. Un momento de falta de atención durante la operación de las herramientas eléctricas puede causar lesiones personales graves. Vístase de la forma debida. No lleve ropa holgada o artículos de joyería. Recojase el cabello. No acerque el cabello, la ropa o los guantes a las piezas móviles. La ropa holgada, los artículos de joyería o el cabello largo pueden resultar atrapados en las piezas móviles. Llevar herramientas con el dedo en el interruptor o introducir el grupo de pilas en una herramientas invita a accidentes.

No extienda demasiado el brazo. Guarde el equilibrio y mantenga una buena postura en todo momento. La buena postura y el equilibrio apropiado permiten controlar mejor la herramienta en situaciones inesperadas. Use equipos de seguridad. Protéjase siempre los ojos. Se deben usar una máscara para el polvo, zapatos de seguridad antirresbaladizos, casco o protectores de oídos para las condiciones apropiadas.

Seguridad específica

1. Protéjase siempre los ojos. El PowerLuber puede generar hasta 7000 lb/pulg2 (476 bares).
2. Use solamente mangueras flexibles Lincoln 1218, 1224, 1230 ó 1236. Las lesiones de inyección de grasa son muy graves. Sujete la manguera solamente en el área del protector del resorte.
3. Evite las puestas en marcha por accidente. Asegúrese de que el interruptor no esté oprimido al introducir el bloque de pilas.
4. No doble la manguera de modo que quede retorcida.
5. Reemplace la manguera al primer indicio de desgaste, retorcadura o daño del revestimiento exterior.

USO Y CUIDADO DE HERRAMIENTAS

No use la herramienta si el interruptor no la enciende y apaga. Una herramienta que no pueda controlarse con el interruptor es peligrosa y debe repararse.

No siga apretando el gatillo si se cala el engrasador. Esto podría dañar el motor o causar un incendio.

Desconecte el grupo de pilas de la herramienta antes de efectuar cualquier ajuste, cambiar accesorios. Dichas medidas de seguridad preventivas reducen el riesgo de poner la herramienta en marcha por accidente.

Guarde la herramienta fuera del alcance de los niños y otras personas no capacitadas. Las herramientas son peligrosas en manos de usuarios no capacitados. Cuando no se use el conjunto de pilas, no lo acerque a otros objetos de metal como: sujetapapeles, monedas, llaves, clavos, tornillos u otros objetos de metal pequeños que puedan establecer una conexión de un terminal a otro. El cortocircuito de los terminales de la pila puede causar chispas, quemaduras o un incendio. Mantenga las herramientas con cuidado.

Compruebe el desalineamiento o el atasco de las piezas móviles, la rotura de piezas y cualquier otra condición que pueda afectar la operación de la herramienta. Si está dañada, efectúe el servicio de la herramienta antes de usarla. Muchos accidentes se deben a herramientas mal mantenidas. Use solamente accesorios recomendados por el fabricante del modelo.

Sólo se deben usar accesorios capaces de resistir 7000 lb/pulg2 (482 bares).

Los accesorios adecuados para una herramienta pueden crear un riesgo de lesiones cuando se usan en otra herramienta.

Uso apropiado

El PowerLuber fue diseñado exclusivamente para bombear y distribuir lubricante usando la corriente de una pila de 14.4 voltios. No se deben exceder las especificaciones nominales máximas. Cualquier otro uso según estas instrucciones resultará en la pérdida de los derechos de reclamación de garantía o responsabilidad.

Servicio

El servicio de la herramienta debe ser efectuado solamente por personal de reparaciones capacitado. El servicio o el mantenimiento efectuados por personal no capacitado puede producir un riesgo de lesiones.

Al efectuar el servicio de una herramienta, use solamente piezas de repuesto idénticas. Siga las instrucciones de la sección de Mantenimiento de este manual. El uso de piezas no autorizadas o no seguir las instrucciones de mantenimiento puede crear un riesgo de descarga o una lesión.

ESPECIFICACIONES

Engrasador PowerLuber básico Modelo 1800

Corriente de funcionamiento, voltios	18
Presión de operación máxima, lb/pulg2 manométricas (bares)	
- Presión baja	7000 (476)
- Presión alta	3000 (204)
Capacidad del depósito de grasa, onzas (cm ³)	14.5 (411)
Gama de temperaturas de operación, °F (°C)	0 a 120 (-18 a +50)
Corriente de operación, amperios	4.0
Corriente clasificada, amperios 5.0	
Lubricante (grasa)	Hasta NLGI N° 2

Caudal de grasa onzas /min. (gramos/min)	
- Caudal bajo	3.8/107.7
- Caudal alto	8.5/240.9
Peso, lb (Kg)	8.0 (3.6)

Accesorios:

Pila Modelo 1801	
Salida, VCC	18
Capacidad, mAh	1900
Cargador de baterías Modelo 1410	
Tiempo de carga	1 hora
Entrada, VCA (2.0 A)	120 V, 50-60 Hz
Modelo 1410E (para usar en Europa)	
Entrada, VCA, (1.0 A)	230 V, 50 Hz
Manguera de salida Modelo 1230	
Presión nominal, lb/pulg2 (bares)	7500 (510)
Longitud de la manguera, pulg (mm)	30 (760)
Presión sana (LpA) 73.5 dB(A), incertidumbre (K) 3 dB(A)	
Energía acústica (LwA) 84.5 dB(A), incertidumbre (K) 3 dB(A)	
Valor de la emisión de la vibración (ah) 1.0 m/s ² , incertidumbre (K) 1.5 m/s ²	

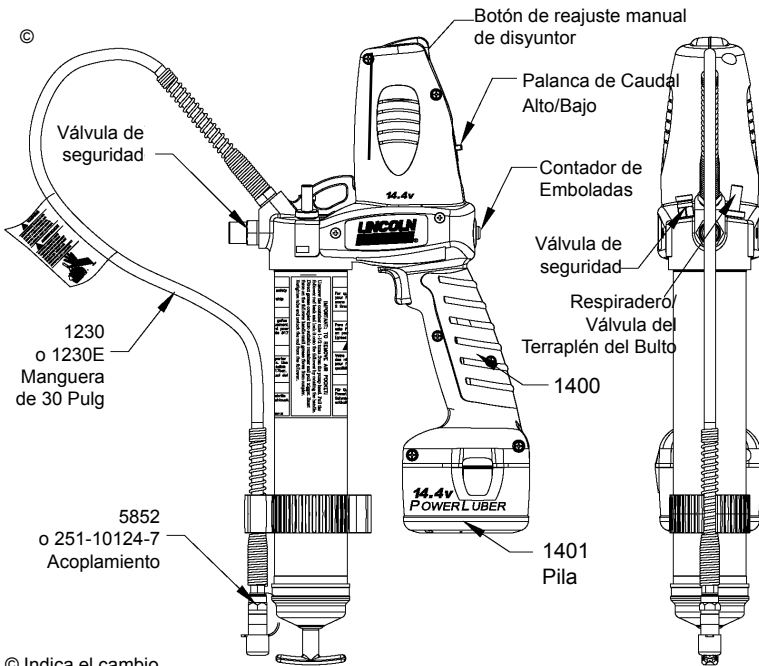
NOTA: Datos de corriente de operación y caudal de grasa a 1000 lb/pulg2 (69 bares).

Funcionamiento de PowerLuber (en 72°F (22°C) con la grasa de NLGI #2)

Presión de la salida, PSI	0	1,000	2,000	3,000	4,000	5,000	6,000
Tubos de la grasa (14.5oz (411gr)) por una batería	12	10	5.5	4	2	1.5	<1

Modelos y Componentes

Modelo de Venta	PowerLuber Básico	Pila	Cargador
1842	1800	1801	1410
1842E	1800	1801	1410E
1844	1800	1801(2)	1410
1844E	1800	1801(2)	1410E



© Indica el cambio

Descripción General

El engrasador PowerLuber de Lincoln es un engrasador automático que funciona completamente con pilas. El engrasador fue desarrollado para la lubricación manual de los puntos de engrase e incluye un disyuntor para apagar el motor a presiones excesivas (7000 lb/pulg² o 476 bares) en el caso de un cojinete, conexión o tubería de lubricación bloqueado.

El engrasador PowerLuber está impulsado por un motor eléctrico pequeño de bajo voltaje conectado a una transmisión de engranajes planetarios de tres etapas. El movimiento giratorio del motor se convierte en un movimiento alternativo del émbolo usando un mecanismo de horquilla. El PowerLuber es una bomba volumétrica de simple efecto

Válvula De Descarga De Presión

La válvula de descarga de presión está diseñada para liberar la presión que exceda los 6.000 PSIG (413 Bar). La válvula también es un indicador de las condiciones de los rodamientos y las mangueras de lubricación. Si hubiera grasa que saliera de la válvula de alivio, eso será una indicación de un rodamiento obstruido o demasiado apretado, de un acoplador de grasa obstruido o de una manguera de lubricación obstruida. Corrija ese problema antes de continuar la lubricación con la pistola PowerLuber.

Figura 1

Disyuntor

Para impedir la sobrecarga del motor, el disyuntor detendrá el motor cuando la presión de operación sea mayor que 7000 lb/pulg² manométricas (476 bares). El botón de color rojo de reajuste manual saltará, vea la Fig 1. Para reajustar, oprima el botón rojo después de esperar 5 a 10 segundos.

El disyuntor es también una indicación de las condiciones del cojinete o de la tubería de lubricación. Si salta el botón rojo, es una indicación de que el cojinete está obstruido o apretado, la conexión de engrase está obstruida o la tubería de lubricación está bloqueada. Corrija esto antes de reajustar y siga lubricando con el PowerLuber.

Contador de emboladas

La herramienta tiene capacidad de calibración. Esto se logra midiendo (pesando) el caudal de grasa y dividiendo el peso de la grasa por el número de emboladas. Simplemente ponga el pulgar en el botón del contador de emboladas, Fig. 1 durante la operación de la herramienta y cuente. Algunos fabricantes recomiendan la cantidad exacta de grasa para lubricar los cojinetes críticos. Al contar las emboladas sabrá cuánta grasa se ha distribuido para lubricar el cojinete. Ésta es la tabla de caudales de grasa en función del número de emboladas.

Número de emboladas	Caudal/embolada	
	onzas	gramos
10	0.20	5.7
15	0.30	8.5
20	0.40	11.4

Nota: Lincoln recomienda esta opción solamente en la modalidad de caudal bajo/presión alta.

INSPECCIÓN

Inspeccione visualmente si hay piezas dañadas, sueltas o que falten. Si los equipos están desgastados o dañados, retire la herramienta del servicio. Póngase en contacto con un centro de servicio autorizado para evaluar los daños o repararlo.

OPERACIÓN

Cambio de caudal/presión

Para cambiar la modalidad de operación:



CUIDADO

Para impedir daños en los engranajes de la transmisión, se debe parar completamente el motor antes de cambiar los engranajes a la modalidad de operación "L" o "H" (baja o alta).

"L" (caudal bajo/presión alta)

"H" (caudal alto/presión baja)

Cuando el motor no funciona, empuje la palanca roja (Fig. 1) hasta que la letra "L" o "H" sea completamente visible en la ventana.

En caso de que la palanca roja no esté completamente en una marcha/conectada, sujete esta palanca y pulse el botón para engranar los engranajes.

Se recomienda un caudal alto si se usa la herramienta para lubricar cojinetes grandes que no requieren alta presión, de más de 3000 lb/pulg² (206 bares). También, se recomienda un caudal alto si se usa la herramienta para rellenar depósitos pequeños de los sistemas de lubricación automáticos.

Se recomienda un caudal bajo si se usa la herramienta en aplicaciones de construcción, minería y lubricación general. El caudal bajo proporcionará

la máxima presión de hasta 7000 lb/pulg² (482 bares) que es capaz de producir la herramienta."

Debe el engrasador PowerLuber cada vez que se rellene o cambie el cartucho de engrase. Debe el engrasador antes de usarlo para lubricar los puntos de engrase.

Para cebar, haga funcionar el engrasador hasta que salga grasa de la manguera. Use la válvula de ventilación para expulsar las bolsas de aire.

Las bolsas de aire presentes en el lubricante del cartucho harán que el engrasador deje de estar cebado.

Instalación del cartucho de engrase

- 1) Desatornille el montaje de tubo de la grasa del PowerLuber
- 2) Compruebe visualmente el sentido del labio del sello del seguidor antes de cargar un cartucho nuevo. El labio del sello del seguidor debe estar apuntando hacia el asa del seguidor o hacia el lado trasero para la carga del cartucho. Vea la Fig. 2. Para cambiar el sentido del sello del seguidor, desatornille la tapa del tubo del conjunto de tubo de engrase y tire del asa para quitar el sello del seguidor del tubo. Voltee el sello del seguidor y vuelva a montar.
- 3) Tire del asa del seguidor y enganche la muesca de la varilla del seguidor en la ranura de la tapa del tubo.
- 4) Quite la tapa de plástico del cartucho de engrase e introduzca el cartucho en el tubo del recipiente.
- 5) Quite la lengüeta de tracción del cartucho de engrase y atornille el conjunto de tubo de engrase en el conjunto de bomba.
- 6) Rosque la parte posterior del montaje de tubo de la grasa sobre la cabeza de la energía.
- 7) Suelte la varilla del seguidor de la ranura. Purgue el aire de la bomba. Vea las instrucciones de purga de aire.



CUIDADO

Los bolsillos de aire en el lubricante del cartucho harán el arma perder su prima

Desmontaje del cartucho de engrase vacío

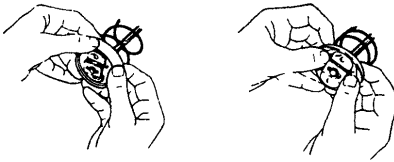
- 1) Tire hacia atrás del asa del seguidor hasta que la varilla del seguidor esté completamente desplegada y enganche la muesca de la varilla del seguidor en la ranura de la tapa del tubo.
- 2) Desatornille el conjunto de tubo de engrase del PowerLuber.
- 3) Suelte con cuidado el asa del seguidor para expulsar el cartucho vacío del tubo del recipiente.

Conversión Del Engrasador Para Poder Llenarlo Usando Un Recipiente De Grasa A Granel O Una Bomba De Relleno

- 1) Desatornille la tapa del conjunto de tubo de engrase. Tire del asa del seguidor para extraer el seguidor y el resorte del conjunto de tubo de engrase.
- 2) Agarre el seguidor entre el pulgar y el índice y voltee el labio del seguidor del lado trasero al delantero.

NOTA. El seguidor se parece a una taza. Cuando el engrasador está montado para usar con lubricante a granel, la taza se abre hacia al conjunto de bomba.

- 3) Vuelva a montar el seguidor en el conjunto de tubo de engrase y colóquelo con el asa del seguidor de modo que la tapa del conjunto de tubo de engrase pueda apretarse en el tubo del recipiente.



LADO TRASERO

LADO DELANTERO

Figura 2

Llenado Del Engrasador Con Un Recipiente De Grasa A Granel

- 1) Quite el conjunto de bomba del conjunto del tubo de engrase.
- 2) Ponga el lubricante en la cavidad del conjunto de bomba.
- 3) Introduzca el extremo abierto del conjunto de tubo de engrase en el lubricante. Tire lentamente hacia atrás del asa del seguidor mientras empuja el conjunto de tubo de engrase a más profundidad en el lubricante para impedir la entrada de bolsas de aire en el conjunto del tubo de engrase.
- 4) Cuando la varilla del seguidor esté completamente desplegada, tire lateralmente de la varilla en la ranura de ojo de llave de la tapa del conjunto del tubo de engrase.
- 5) Monte sin apretar el conjunto de bomba en el conjunto de tubo de engrase. Suelte la varilla del seguidor de la tapa del conjunto de tubo de engrase y desenganche la varilla del seguidor girando el asa del seguidor. Empuje la varilla del seguidor en el conjunto de tubo de engrase.

Desatornille lentamente el conjunto del tubo de engrase del conjunto de bomba hasta que salga lubricante de la interconexión. Apriete el conjunto de tubo de engrase en el conjunto de bomba.

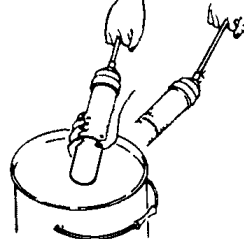


Figura 3

Llenado Del Engrasador Con Una Bomba De Relleno

Enganche la varilla en el seguidor girando el asa del mismo. Inserte el respiradero del arma/ la válvula del terraplén del buito en el zócalo de la bomba del llenador. Haga funcionar la bomba de relleno para llenar el recipiente. Cuando haya quedado expuesta la varilla del seguidor, se llena el conjunto de tubo de engrase. La varilla del seguidor se desplegará aproximadamente 8 pulg (20 cm). Desenganche la varilla del seguidor girando el asa del mismo. Empuje la varilla del seguidor en el conjunto del tubo de engrase.

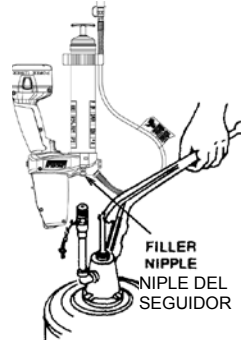


Figura 4



¡IMPORTANTE

¡Elimine la bolsa de aire! La bolsa de aire en la entrada de grasa impedirá el bombeo de la grasa. El empuje de la válvula de ventilación de forma intermitente eliminará las bolsas de aire pequeñas. Si la bolsa de aire es sustancial y no circula grasa desde el acoplador después de apretar el gatillo durante 15 segundos, vea los pasos siguientes.

ELIMINACIÓN DE LAS BOLSAS DE AIRE

- 1) Retire la varilla del seguidor de la tapa del conjunto de tubo de engrase y engánchela al seguidor girando el asa del mismo. Haga fuerza sobre el asa del seguidor mientras sujeta la válvula de ventilación 23 (Figura 7).
- 2) Desatornille el respiradero/el bulbo del terraplén de las vueltas de la válvula dos. Ejercer la fuerza en la manija del seguidor hasta que la grasa atraviesa la abertura en el respiradero/laválvula del terraplén del bulbo.
- 3) Apriete el respiradero/la válvula del terraplén del bulbo.
- 4) Tire del disparador en explosiones cortas para funcionar el arma hasta que se expela el aire atrapado. Desuna la barra del seguidor del seguidor rotando la manija del seguidor. Empuje la barra del seguidor en el montaje de tubo de la grasa.
- 5) Si el paso 2 no da resultado, desatornille el conjunto de tubo de engrase del conjunto de bomba 1 ½ vueltas.
- 6) Haga fuerza sobre el asa del seguidor hasta que salga lubricante por la interconexión del conjunto de tubo de engrase y conjunto de bomba.
- 7) Apriete el conjunto de tubo de engrase en el conjunto de bomba. Desenganche la varilla del seguidor haciendo girar el asa del mismo. Empuje la varilla del seguidor en el conjunto de tubo de engrase.

OPERACIÓN DEL CARGADOR CARGA DEL BLOQUE DE PILAS

Antes de usar el PowerLuber por primera vez, el bloque de pilas debe cargarse durante **12 horas**. Si el bloque de pilas está instalado en el PowerLuber, quítelo siguiendo estas instrucciones.

PROCEDIMIENTO DE CARGA

Asegúrese de que el voltaje del circuito de corriente sea el mismo que el mostrado en la placa de especificaciones del cargador. Conecte el cargador a la fuente de alimentación.

1. Enchufe el cargador en una toma apropiada antes de introducir el bloque de pilas.
2. Introduzca el paquete de pilas en el cargador. La luz roja (cargando) destellará continuamente indicando que ha empezado el proceso de carga.
3. La terminación de la carga vendrá indicada por una luz encendida continuamente. El paquete estará completamente cargado y puede usarse en este momento.
4. El bloque de pilas puede dejarse cargar poco a poco hasta que esté listo para usarlo.
5. Desconecte el cargador de la fuente de alimentación cuando no se use.

CUIDADO

Hay 120/230 Voltios presentes en los terminales de carga. No los toque con objetos conductores. Existe un peligro de descarga eléctrica o electrocución.

OPERACIÓN DE LA LUZ INDICADORA

BLOQUE CARGÁNDOSE..... ■■■■■■

COMPLETAMENTE CARGADO..... ■■■■■■

REEMPLAZAR EL BLOQUE..... ●●●●●●

PROBLEMA DE LA LÍNEA DE CORRIENTE..... ●●●●●●

RETARDO CALIENTE Y DEL ENVASE EN FRÍO..... ■■■■■■

INDICADORES DE CARGA

El cargador está diseñado para detectar ciertos problemas que puedan surgir con los bloques de pilas. Los problemas vienen indicados por unos destellos rápidos de luz roja. Si ocurre esto, vuelva a introducir el bloque de pilas en el cargador. Si el problema continúa, pruebe un bloque diferente para determinar si el cargador está bien. Si el nuevo bloque se carga correctamente, entonces el bloque original es defectuoso y debe devolverse a un centro de servicio o a otro lugar de recogida para su reciclado. Si el nuevo bloque de pilas da la misma indicación de problemas que el original, haga la prueba del cargador en un centro de servicio autorizado.

BLOQUE DE PILAS EN EL CARGADOR

El cargador y el bloque de pilas pueden dejarse conectados con la luz roja encendida de forma indefinida. El cargador mantendrá el bloque de pilas fresco y completamente cargado.

NOTA: El bloque de pilas se descargará lentamente cuando esté fuera del cargador. Si el bloque de pilas no se ha dejado en una carga de mantenimiento, tal vez hay que recargarlo otra vez. El bloque de pilas también puede descargarse lentamente si se deja en un cargador que no esté enchufado a una fuente de CA apropiada.

A medida que el bloque de pilas se aproxima al estado completamente descargado, observará un descenso notable del rendimiento de la herramienta. Cuando la herramienta no pueda llevar a cabo la tarea que se está llevando a cabo, es hora de recargar el bloque de pilas. La recarga del bloque de pilas antes de que se alcance esta condición reducirá la duración total del bloque. La descarga del bloque más allá de este punto puede dañarlo.

NOTA: La temperatura de la pila aumentará durante su uso y poco después de haberla usado. Es posible que las pilas no acepten una carga máxima si se cargan inmediatamente después de usarlas. Deje que el bloque de pilas se enfríe a la temperatura ambiente antes de cargarlo para obtener los mejores resultados.

PRECAUCIÓN: Las ranuras de ventilación de las partes superior e inferior del cargador no deben estar obstruidas. No cargue la pila cuando la temperatura sea INFERIOR A 32° F (0° C) o SUPERIOR A 104° F (40° C).

Notas importantes sobre carga

1. Se puede obtener la máxima duración y el mejor rendimiento si el bloque de pilas se carga cuando la temperatura del aire esté entre 65° F y 75° F (18° - 24° C). NO cargue el bloque de pilas a una temperatura del aire de menos de +32° F (0° C) o de más de 105° F (+40.5° C). Esto es importante e impedirá daños serios en el bloque de pilas.
2. Al tocar el cargador y el bloque de pilas mientras se cargan se puede notar que están calientes. Esto es una condición normal, y no indica un problema.
3. Si el bloque de pilas no se carga debidamente:
 - a. Compruebe la corriente en el receptáculo enchufando una lámpara u otro aparato.
 - b. Compruebe para ver si el receptáculo está conectado a un interruptor de luz que desconecta la corriente al apagar las luces.
 - c. Mueva el cargador y el bloque de pilas a un lugar en que la temperatura del aire circundante sea aproximadamente 65° F - 75° F (18 - 24° C).
 - d. Si persisten los problemas de carga, lleve la herramienta, el bloque de pilas y el cargador a su centro de servicio local.
4. El bloque de pilas debe recargarse cuando no produzca una corriente suficiente en trabajos que se hayan hecho con facilidad anteriormente. NO LO SIGA USANDO en estas condiciones. Siga el procedimiento de carga. También puede cargar un bloque de pilas parcialmente usado siempre que lo desee sin que tenga lugar ningún efecto negativo en el bloque de pilas.
5. En ciertas condiciones, con el cargador enchufado a la fuente de alimentación, los contactos de carga expuestos dentro del cargador pueden cortocircuitarse debido a materiales extraños. Estos materiales de naturaleza conductora como lana de acero, papel de aluminio o cualquier acumulación de partículas metálicas deben mantenerse fuera de las cavidades del cargador. Desenchufe siempre el cargador de la fuente de alimentación cuando no haya ningún bloque de pilas en la cavidad. Desenchufe el cargador antes de tratar de limpiarlo.
6. No congele ni sumerja el cargador en agua ni en ningún otro líquido.

⚠ ADVERTENCIA

No deje que entre líquido en el cargador. Se puede producir una descarga eléctrica. Para facilitar el enfriamiento del bloque de pilas después de usarlo, no coloque el cargador ni el bloque de pilas en un donde haga mucho calor como un cobertizo de metal o un remolque sin aislar.

⚠ ADVERTENCIA

No trate nunca de abrir el bloque de pilas por ninguna razón. Si la caja de plástico del bloque de pilas se rompe o se agrieta, devuélvala al centro de servicio para su reciclado.



Figura 5

INSTRUCCIONES DE SEGURIDAD PARA EL CARGADOR Y LAS PILAS GUARDE ESTAS INSTRUCCIONES

Este manual contiene instrucciones importantes de seguridad y operación para el cargador de pilas Lincoln Modelo 1410 ó 1410E.

PELIGRO

Riesgo de descarga eléctrica. Hay presentes 120 VCC o 230 VCA en los terminales del cargador. No los toque con objetos conductores. No cargue la pila dañada. Reemplace inmediatamente.

1. Antes de usar un cargador de pilas, lea todas las instrucciones e indicaciones de precaución en el cargador de pilas, bloque de pilas y producto que lo use.
 2. PRECAUCIÓN: Para reducir el riesgo de lesiones, sólo se debe usar el cargador Lincoln Modelo 1410 ó 1410E para cargar el bloque de pilas Lincoln Modelo 1801. Otros tipos de pilas pueden estallar causando lesiones personales y daños. No cargue los paquetes de pilas Lincoln Modelo 1801 con ningún otro cargador.
 3. No exponga el cargador a la lluvia, nieve o escarcha.
 4. No abuse del cordón. No lleve nunca el cargador colgando por el cordón ni le dé un tirón para desconectarlo del receptáculo. Tire del enchufe en vez de tirar del cordón para desconectar el cargador. Reemplace inmediatamente el cordón de alimentación y el protector contra tirones dañado o desgastado. NO TRATE DE REPARAR EL CORDÓN DE ALIMENTACIÓN.
 5. Asegúrese de que el cordón esté ubicado de modo que no se pueda pisar, no dé lugar a tropiezos y no pueda dañarse o estar sometido a tensión.
 6. No use un cordón de alargamiento a menos que sea absolutamente necesario. El uso de un cordón de alargamiento indebido puede resultar en un riesgo de incendio y descarga eléctrica. Si se debe usar un cordón de alargamiento, asegúrese de lo siguiente:
 - A El cordón de alargamiento debe estar bien conectado y en buenas condiciones eléctricas.
 - B El tamaño de los conductores del cordón es al menos el especificado en esta tabla:
- | LONGITUD DEL CORDÓN EN PIES (M) | 25 (7.5) | 50 (15) | 100 (30) | 150 (45) |
|---|----------|---------|----------|----------|
| CALIBRE AWG DEL CORDÓN (mm ²) | 18 (1) | 18 (1) | 18 (1) | 16 (1.5) |
- C Si se debe usar un cordón de alargamiento al aire libre, éste debe estar marcado con el sufijo W-A a continuación de las designaciones de tipos de cordones. Por ejemplo -SJTW-A indica que es aceptable para uso al aire libre.
 7. No haga funcionar el cargador con el cordón o el enchufe dañado. Reemplácelos inmediatamente para evitar peligros. NO TRATE DE REPARAR EL CORDÓN DE ALIMENTACIÓN.
 8. No haga funcionar el cargador si ha recibido un golpe violento, se ha dejado caer o se ha dañado de cualquier forma. Llévelo a un técnico de reparaciones.
 9. No desmonte el cargador o el bloque de pilas. Llévelos a un técnico de reparaciones cuando sea necesario efectuar su servicio o reparación. El montaje incorrecto puede producir una descarga eléctrica o un incendio.
 10. Desenchufe el cargador de la toma antes de tratar de hacer cualquier tarea de mantenimiento o limpieza para reducir el riesgo de descarga eléctrica.
 11. Cargue el bloque de pilas en un lugar bien ventilado, no cubra el cargador y la pila con un paño, etc., mientras se carga.
 12. No guarde el cargador o los paquetes de pilas en lugares (como un cobertizo de metal o un automóvil en verano) donde la temperatura puede llegar o superar los 122° F (50° C), ya que se puede producir el deterioro de la pila de almacenamiento.
 13. No cargue el bloque de pilas cuando la temperatura sea INFERIOR A 32° F (0°C) o SUPERIOR A 104° F (40° C). Esto es muy importante para una operación apropiada.
 14. No incinere el bloque de pilas, ya que puede estallar.
 15. No cargue la pila en lugares húmedos o mojados.
 16. No trate de cargar ninguna otra herramienta inalámbrica o bloque de pilas con el cargador Lincoln Modelo 1410 ó 1410E.
 17. No cortocircuite los terminales del bloque de pilas. LAS TEMPERATURAS MUY ALTAS PUEDEN CAUSAR LESIONES PERSONALES O UN INCENDIO.
 18. Este aparato no está hecho para usarse por personas (incluyendo niños) con capacidades limitadas físicas, sensoriales, metales o con falta de experiencia y conocimiento, a menos que estén siendo supervisadas o recibieron instrucciones acerca del uso de este aparato por la persona responsable del departamento de seguridad.
 19. Supervise a los niños y asegure que no jueguen con este aparato.
 20. Deseche debidamente las pilas agotadas. El bloque de pilas Lincoln Modelo 1801 contiene pilas recargables de níquel-cadmio. Estas pilas deben reciclarse o desecharse debidamente. Lleve los bloques de pilas agotados a su tienda local de pilas de repuesto o a un centro de reciclaje.

Usuarios de Estados Unidos

NOTA: Se han abonado cuotas aplicables a RBRCTM para la recogida y el reciclado de estas pilas. Para obtener información adicional, llame al 1-800-8BATTERY.

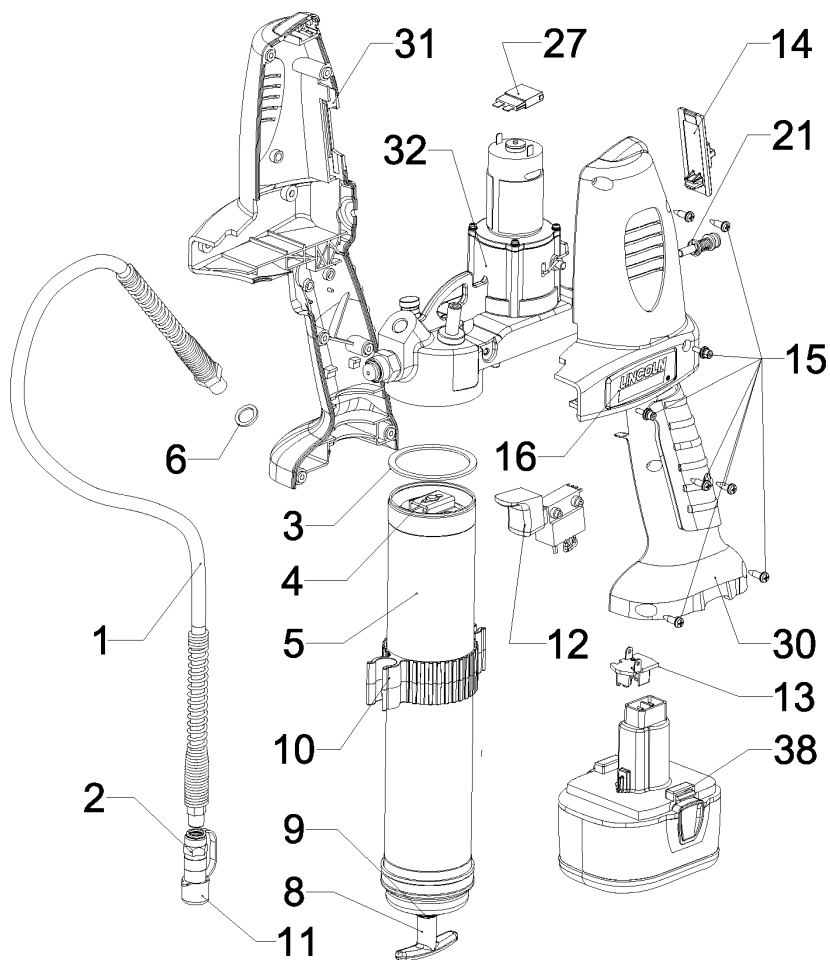


Figura 6

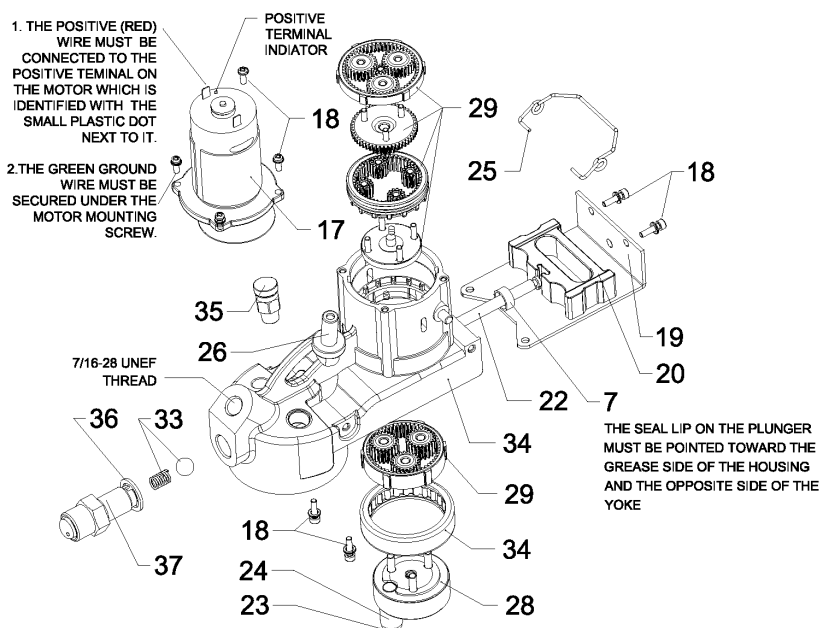


Figura 7

Lista de Piezas de Repuesto©

Comp.	Descripción	N° de Pieza
1	Manguera flexible de 30" (Modellos 1400, 1442, 1444)	1230
	Manguera flexible de 30" (Modellos 1442E, 1444E)	1230E
2	Acoplamiento (Modellos 1400, 1442, 1444)	5852
	Acoplamiento (Modellos 1442E, 1444E)	251-10124-7
3	Empaquetadura	34793
4	Juego de conjunto de seguidor	93485
5	Conjunto de tubo de engrase	271882
6	Kit de la junta	271884
7	Juego de varilla de seguidor	271889
8	Juego de asa	286090
9	Juego de varilla de seguidor	286091
10	Juego de abrazadera de manguera	286092
11	Juego de tapa de acoplamiento	286093
12	Juego de gatillo	286095
13	Juego de conjunto de terminales	286096
14	Juego de selector de engranajes	286097
15	Juego de tornillería de empuñaduras	286100
16	Juego de calcomanía	286101
17	Juego de motor con placa	286103
18	Juego de tornillería de la bomba	286105
19	Juego de la tapa de la bomba	286106
20	Juego de horquilla	286107
21	Juego de indicador de emboladas	286108
22	Juego de émbolo	286109
23	Juego de prisioneros	286110
24	Juego de rodillo	286111
25	Juego de selector de resorte	286113
26	Juego de válvula de ventilación	286134
27	Juego de disyuntor	286217
28	Juego de la asamblea del conductor	286285
29	Juego de engranajes	286286
30	Manija con el Juergo del componente eléctrico	286303
31	Manija con el Juergo del tornillo	286304
32	Juego de la asamblea de la bomba	286305
33	Juego de válvula de retención	286306
34	Juego de caja de la bomba con cojinete	286307
35	Juego de la válvula de respiradero	286315
36	Kit de la junta	286316
37	Juego de la válvula de descarga	286317
38	Pila de 14.4 V	1401
--	Cargador	1410
--	Correa	1414
--	Caso	286135

© Indica el cambio

LOCALIZACIÓN Y RESOLUCIÓN DE PROBLEMAS

Condición	Causa posible	Acción correctora
El motor no funciona.	- Es necesario cargar la pila. - Conexión defectuosa en El motor.	Recargue la pila. Quite la pila, desmonte la empuñadura y compruebe la conexión.
No sale grasa del engrasador.	- El conjunto de tubo de engrase no tiene grasa. - Sin cebar. - La bola de retención, componente 22, no funciona.	Compruebe que el conjunto del tubo de engrase tenga grasa. Repita la operación de cebado. Quite el componente 22 y limpie e inspeccione el área de asiento de la bola.
El engrasador sigue sin cebarse.	- Puede haber aire atrapado en varios lugares del recipiente después de llenarlo con grasa a granel. - Es posible que el seguidor se atasque en el conjunto de tubo de engrase.	Vacíe el conjunto de tubo de engrase, rellénelo y repita las instrucciones de cebado. Reemplace el conjunto de tubo de engrase, componente 9.
La pila no se carga.	- Es posible que no llegue corriente al cargador. - La pila puede ser defectuosa.	Compruebe que llegue corriente al receptáculo. Reemplace la pila.



Lincoln Industrial Standard Warranty

LIMITED WARRANTY

Lincoln warrants the equipment manufactured and supplied by Lincoln to be free from defects in material and workmanship for a period of one (1) year following the date of purchase, excluding therefrom any special, extended, or limited warranty published by Lincoln. If equipment is determined to be defective during this warranty period, it will be repaired or replaced, within Lincoln's sole discretion, without charge.

This warranty is conditioned upon the determination of a Lincoln authorized representative that the equipment is defective. To obtain repair or replacement, you must ship the equipment, transportation charges prepaid, with proof of purchase to a Lincoln Authorized Warranty and Service Center within the warranty period.

This warranty is extended to the original retail purchaser only. This warranty does not apply to equipment damaged from accident, overload, abuse, misuse, negligence, faulty installation or abrasive or corrosive material, equipment that has been altered, or equipment repaired by anyone not authorized by Lincoln. This warranty applies only to equipment installed, operated and maintained in strict accordance with the written specifications and recommendations provided by Lincoln or its authorized field personnel.

THIS WARRANTY IS EXCLUSIVE AND IS IN LIEU OF ANY OTHER WARRANTIES, EXPRESS OR IMPLIED, INCLUDING, BUT NOT LIMITED TO, THE WARRANTY OF MERCHANTABILITY OR WARRANTY OF FITNESS FOR A PARTICULAR PURPOSE.

In no event shall Lincoln be liable for incidental or consequential damages. Lincoln's liability for any claim for loss or damages arising out of the sale, resale or use of any Lincoln equipment shall in no event exceed the purchase price. Some jurisdictions do not allow the exclusion or limitation of incidental or consequential damages, therefore the above limitation or exclusion may not apply to you.

This warranty gives you specific legal rights. You may also have other rights that vary by jurisdiction.

Customers not located in the Western Hemisphere or East Asia: Please contact Lincoln GmbH & Co. KG, Walldorf, Germany, for your warranty rights.

Lincoln Industrial Special Limited Warranties

SPECIAL LIMITED 2 YEAR WARRANTY-

SL-V Series, Single Injectors-85772, 85782, and Replacement Injectors-85771, 85781

Lincoln warrants the SL-V Injector series to be free from defects in material and workmanship for two (2) years following the date of purchase. If an injector model (single or replacement) is determined to be defective by Lincoln, in its sole discretion, during this warranty period, it will be repaired or replaced, at Lincoln's discretion, without charge.

SPECIAL LIMITED 5 YEAR WARRANTY-

Series 20, 25, 40 Bare Pumps, PMV Bare Pumps, Heavy Duty and 94000 Series Bare Reels

Lincoln warrants series 20, 25, 40 bare pumps, PMV bare pumps, Heavy Duty (82206), Mini Bench (81133, 81323), and 94000 LFR series (94100, 94300, 94500) bare reels to be free from defects in material and workmanship for five (5) years following the date of purchase. If equipment is determined by Lincoln, in its sole discretion, to be defective during the first year of the warranty period, it will be repaired or replaced at Lincoln's discretion, without charge. In years two (2) and three (3), the warranty on this equipment is limited to repair with Lincoln paying parts and labor only. In years four (4) and five (5), the warranty on this equipment is limited to repair with Lincoln paying for parts only.

SPECIAL LIMITED 5 YEAR WARRANTY-

LFM Series Oil Meters (Lincoln Fluid Meter), LFV (Lincoln Fluid Valves), AOD (Air-Operated Diaphragm Pumps)-

Lincoln warrants the LFM meter series (908/912 series), the Lincoln Fluid valve (708/712 series), and our AOD Pump offering to be free from defects in material and workmanship for five (5) years following the date of purchase. If either is determined to be defective by Lincoln, in its sole discretion, during the warranty period, they will be repaired or replaced, at Lincoln's discretion, without charge.

Lincoln Industrial Contact Information

To find Lincoln Industrial's Nearest Service Center call one of the following numbers, you may also use our website

Customer Service 314-679-4200
Website lincolnindustrial.com

GARANTIE LIMITEE

Lincoln garantit l'équipement fabriqué et fourni par Lincoln contre tout défaut de matériau et de fabrication pendant une période d'un (1) an à compter de la date d'achat, à l'exclusion de toute garantie spéciale, étendue ou limitée publiée par Lincoln. Si, pendant la période de garantie, il est déterminé que l'équipement est défectueux, il sera réparé ou remplacé, à la seule discrétion de Lincoln, gratuitement.

Cette garantie est sujette à la détermination, par un représentant agréé de Lincoln, que l'équipement est défectueux. Pour obtenir une réparation ou un remplacement, vous devez expédier l'équipement, port payé, avec la preuve d'achat, à un centre de réparation et de garantie agréé de Lincoln, pendant la période de garantie.

Cette garantie n'est offerte qu'à l'acheteur au détail initial. Cette garantie n'est pas applicable à de l'équipement endommagé par un accident, une surcharge, des abus, une mauvaise utilisation, de la négligence, une mauvaise installation, une exposition à des produits abrasifs ou corrosifs, ni à de l'équipement modifié ou réparé par quiconque pas autorisé par Lincoln. Cette garantie ne s'applique qu'à de l'équipement installé, utilisé et maintenu en stricte conformité aux normes et recommandations écrites fournies par Lincoln ou son personnel sur place agréé.

CETTE GARANTIE EST EXCLUSIVE ET REMPLACE TOUTE AUTRE GARANTIE, EXPRIMEE OU SOUS-ENTENDUE, Y COMPRIS MAIS PAS LIMITEE A LA GARANTIE DE VENDABILITE OU D'APTITUDE A UNE UTILISATION PARTICULIERE.

En aucun cas, Lincoln ne peut être tenue responsable des dommages indirects ou secondaires. La responsabilité de Lincoln pour toute réclamation de sinistre ou dommage provenant de la vente, la revente ou l'utilisation de l'équipement de Lincoln ne peut dépasser le prix d'achat. Certaines juridictions ne permettent pas l'exclusion ni la limitation des dommages indirects ou secondaires, il est donc possible que la limitation ou exclusion ci-dessus ne s'applique pas à un cas spécifique.

Cette garantie donne des droits spécifiques à l'acheteur.

L'acheteur peut également avoir d'autres droits qui varient en fonction de la juridiction.

Clients à l'extérieur de l'hémisphère occidental ou de l'Asie orientale : contacter Lincoln GmbH & Co. KG, Walldorf, Germany, pour obtenir les droits selon la garantie.

GARANTIE LIMITÉE SPÉCIALE DE 2 ANS

Série de SL-V, Injectors-85772 simple, 85782, et remplacement Injectors-85771, 85781

Lincoln justifie la série d'injecteur de SL-V pour être exempt des défauts dans le matériel et l'exécution pendant deux (2) années suivant la date de l'achat. Si un modèle d'injecteur (choisissez ou remplacement) est déterminé pour être défectueux par Lincoln, dans sa discrétion unique, au cours de cette période de garantie, il sera réparé ou remplacé, à la discrétion de Lincoln, sans frais.

GARANTIE LIMITÉE SPÉCIALE DE 5 ANS

Les séries 20, 25, 40 pompes nues, PMV découvrent les bobines nues de pompes, résistantes et de 94000 séries

Lincoln justifie la série 20, 25, 40 pompes nues, PMV découvrent banc résistant (82206) et mini de pompes, (81133, 81323), et 94000 bobines nues de la série de LFR (94100, 94300, 94500) pour être exempt des défauts dans le matériel et l'exécution pendant cinq (5) années suivant la date de l'achat. Si l'équipement est déterminé par Lincoln, dans sa discrétion unique, pour être défectueux pendant la première année de la période de garantie, il sera réparé ou remplacé à la discrétion de Lincoln, sans frais. En (3) des années deux (2) et trois, la garantie sur cet équipement est limité pour réparer avec Lincoln payant des pièces et pour travailler seulement. En (5) des années quatre (4) et cinq, la garantie sur cet équipement est limité pour réparer avec Lincoln payant des pièces seulement.

GARANTIE LIMITÉE SPÉCIALE DE 5 ANS

Mètres d'huile de série de LFM (mètre liquide de Lincoln), LFV (valves liquides de Lincoln), AOD (pompes à diaphragme pneumatiques) -

Lincoln justifie la série de mètre de LFM (908/912 série), la valve liquide de Lincoln (708/712 série), et notre pompe d'AOD offrant d'être exempt des défauts dans le matériel et l'exécution pendant cinq (5) années suivant la date de l'achat. Si est déterminé à être défectueux par Lincoln, dans sa discrétion unique, au cours de la période de garantie, elles seront réparées ou remplacées, à la discrétion de Lincoln, sans frais.

Comment contacter Lincoln Industrial

Pour trouver le centre de réparation de Lincoln Industrial le plus proche

Appeler les numéros suivants ou rendre visite à notre site web.

Service après-vente +1 314-679-4200

Site web : lincolnindustrial.com

Garantía estándar industrial de Lincoln

GARANTÍA LIMITADA

Lincoln garantiza que los equipos fabricados y suministrados por Lincoln carecen de defectos de materiales y fabricación durante un (1) año contado a partir de la fecha de compra, excluyéndoles de cualquier garantía especial, extendida o limitada publicada por Lincoln. Si se demuestra que los equipos son defectuosos durante este período de garantía, se repararán o reemplazarán, a discreción de Lincoln, de forma gratuita.

Esta garantía está condicionada por la determinación de un representante autorizado de Lincoln de que el equipo es defectuoso. Para obtener su reparación o reemplazo, debe enviar los equipos, gastos de transporte pagados de antemano, con la prueba de compra a un centro de garantías y servicio autorizado de Lincoln dentro del período de la garantía.

Esta garantía se extiende solamente al comprador original que haya efectuado la compra a un minorista. Esta garantía no se aplica a equipos dañados por accidente, sobrecarga, abuso, uso indebido, negligencia, instalación defectuosa o material abrasivo o corrosivo, o a equipos reparados o alterados por cualquier persona que no esté autorizada por Lincoln para reparar o alterar los equipos. Esta garantía se aplica solamente a equipos instalados, operados y mantenidos estrictamente según las especificaciones escritas y recomendadas proporcionadas por Lincoln o su personal de planta autorizado.

ESTA GARANTÍA ES EXCLUSIVA Y REEMPLAZA CUALQUIER OTRA GARANTÍA, EXPLÍCITA O IMPLÍCITA, INCLUIDA LA GARANTÍA DE COMERCIALIZACIÓN O GARANTÍA DE IDONEIDAD PARA UNA CIERTA FINALIDAD, PERO SIN LIMITARSE A LAS MISMAS.

En ningún caso Lincoln será responsable de daños emergentes o concomitantes. La responsabilidad de Lincoln ante cualquier reclamación por pérdida o daños que sean consecuencia de la venta, reventa o uso de equipos suministrados no debe en ningún caso exceder el precio de compra. Algunas jurisdicciones no permiten la exclusión o limitación de daños emergentes o concomitantes, por lo que es posible que no se aplique a su caso la limitación o exclusión anterior.

Esa garantía le da derechos legales específicos. También puede tener otros derechos que varían según la jurisdicción.

Clientes que no estén ubicados en el Hemisferio Occidental o en el Lejano Oriente: Póngase en contacto con Lincoln GmbH & Co. KG, Walldorf, Alemania, para obtener información sobre sus derechos de garantía.

GARANTÍA LIMITADA ESPECIAL DE 2 AÑOS

Serie de SL-V, solo Inyectors-85772, 85782, y reemplazo Inyectors-85771, 85781

Lincoln autoriza la serie del inyector de SL-V para estar libre de defectos en material y la ejecución por dos (2) años que siguen la fecha de la compra. Si un modelo del inyector (escoja o reemplazo) es determinado para ser defectuoso por Lincoln, en su única discreción, durante este período de garantía, será reparado o substituido, en la discreción de Lincoln, sin carga.

GARANTÍA LIMITADA ESPECIAL DE 5 AÑOS

Las series 20, 25, 40 bombas peladas, PMV descubren carretes pelados de las bombas, resistentes y de 94000 series

Lincoln autoriza la serie 20, 25, 40 bombas peladas, PMV descubre el banco resistente (82206), mini de las bombas, (81133, 81323), y 94000 carretes pelados de la serie de LFR (94100, 94300, 94500) para estar libre de defectos en material y la ejecución por cinco (5) años que siguen la fecha de la compra. Si el equipo es determinado por Lincoln, en su única discreción, para ser defectuoso durante el primer año del período de garantía, será reparado o substituido en la discreción de Lincoln, sin carga. En (3) de los años dos (2) y tres, la garantía en este equipo se limita para reparar con Lincoln que paga piezas y para trabajar solamente. En (5) de los años cuatro (4) y cinco, la garantía en este equipo se limita para reparar con Lincoln que paga piezas solamente.

GARANTÍA LIMITADA ESPECIAL DE 5 AÑOS

Metros del aceite de la serie de LFM (metro fluido) de Lincoln, LfV (válvulas fluidas) de Lincoln, AOD (bombas de diafragma neumáticas) -

Lincoln autoriza la serie del metro de LFM (908/912 serie), la válvula fluida de Lincoln (708/712 serie), y nuestra bomba del AOD que ofrece estar libre de defectos en material y la ejecución por cinco (5) años que siguen la fecha de la compra. Si es determinado ser defectuoso por Lincoln, en su única discreción, durante el período de garantía, serán reparados o substituidos, en la discreción de Lincoln, sin carga.

Información de contacto de Lincoln Industrial

Para localizar el centro de servicio más próximo de Lincoln Industrial

Llame a uno de los números siguientes, también puede usar nuestro sitio web.

Servicio al cliente 314-679-4200
Sitio web: lincolnindustrial.com



Models 1400, 1442, 1442E, 1444, 1444E PowerLuber Grease Gun

Declaration of conformity according to EMV directive 89/336/EEG as last amended by EC Directive 93/68/EEC Electromagnetic Compatibility.

We declare that the model of the **PowerLuber Grease Gun - Battery Charger** in the version supplied by us, complies with the provisions of the above mentioned directive.

Applied harmonized standards in particular:

- EN61000-3-3 Electromagnetic Compatibility (EMC) - Part 3: Limits - Section 3: Limitations of Voltage Fluctuations and Flicker in Low Voltage Supply Systems for Equipment with Rated Current = 16A - SAME AS IEC 61000-3-3
- EN 55014-2 Electromagnetic Compatibility - Requirements for Household Appliances, Electric Tools, & Similar Apparatus - Part 2: Immunity - Product Family Standard
- EN55014-1 Electromagnetic Compatibility - Requirements for Household Appliances, Electric Tools and Similar Apparatus - Part 1: Emission - Product Family Standard
- EN 61000-3-2 + Amendment 1, + Amendment 2, + Amendment 14 Electromagnetic Compatibility (EMC) Part 3: Limits - Section 2: Limits for Harmonic Current Emissions (Equipment Input Current <= 16A per Phase)

Déclaration de la conformité selon la directive 89/336/EEG d'Emv modifié en dernier lieu par la compatibilité 93/68/EEC électromagnétique directive de EC.

Nous déclarons que le modèle du **PowerLuber A Graisse - Chargeur et de la Batterie** dans la version fournie par nous, se conforme aux dispositions de la directive mentionnée ci-dessus.

Normes harmonisées appliquées en particulier

- EN61000-3-3 Electromagnetic Compatibility (EMC) - Part 3: Limits - Section 3: Limitations of Voltage Fluctuations and Flicker in Low Voltage Supply Systems for Equipment with Rated Current = 16A - SAME AS IEC 61000-3-3
- EN 55014-2 Electromagnetic Compatibility - Requirements for Household Appliances, Electric Tools, & Similar Apparatus - Part 2: Immunity - Product Family Standard
- EN55014-1 Electromagnetic Compatibility - Requirements for Household Appliances, Electric Tools and Similar Apparatus - Part 1: Emission - Product Family Standard
- EN 61000-3-2 + Amendment 1, + Amendment 2, + Amendment 14 Electromagnetic Compatibility (EMC) Part 3: Limits - Section 2: Limits for Harmonic Current Emissions (Equipment Input Current <= 16A per Phase)

Paul H. Conley

August 4, 2009

St. Louis, MO 10/14/05, Paul Conley, Chief Engineer

**Models 1400, 1442, 1442E, 1444, 1444E
PowerLuber Grease Gun**



Konformitätserklärung nach EMV-Richtlinie 89/336/EEG wie zuletzt geändert durch richtungweisende elektromagnetische Kompatibilität 93/68/EEC EC.

Declaración de la conformidad según la directiva 89/336/EEG de EMV según la enmienda prevista por último por la compatibilidad electromagnética directiva 93/68/EEC de EC.

Hiermit erklären wir, dass dieses Produkt **PowerLuber Schmierpresse - Batterieladegerät** in der von uns gelieferten Ausführung den Bestimmungen der oben bezeichneten Richtlinie entspricht.

Declaramos que el modelo de **Pistola De Grasa PowerLuber - El Cargador de Las Baterias** la versión provista por nosotros, se conforma con las provisiones de la directiva antedicha.

Angewendete harmonisierte Normen:

Estándares armonizados aplicados en detalle

EN61000-3-3 Electromagnetic Compatibility (EMC) - Part 3: Limits - Section 3: Limitations of Voltage Fluctuations and Flicker in Low Voltage Supply Systems for Equipment with Rated Current = 16A - SAME AS IEC 61000-3-3

EN61000-3-3 Electromagnetic Compatibility (EMC) - Part 3: Limits - Section 3: Limitations of Voltage Fluctuations and Flicker in Low Voltage Supply Systems for Equipment with Rated Current = 16A - SAME AS IEC 61000-3-3

EN 55014-2 Electromagnetic Compatibility - Requirements for Household Appliances, Electric Tools, & Similar Apparatus - Part 2: Immunity - Product Family Standard

EN 55014-2 Electromagnetic Compatibility - Requirements for Household Appliances, Electric Tools, & Similar Apparatus - Part 2: Immunity - Product Family Standard

EN55014-1 Electromagnetic Compatibility - Requirements for Household Appliances, Electric Tools and Similar Apparatus - Part 1: Emission - Product Family Standard

EN55014-1 Electromagnetic Compatibility - Requirements for Household Appliances, Electric Tools and Similar Apparatus - Part 1: Emission - Product Family Standard

EN 61000-3-2 + Amendment 1, + Amendment 2, + Amendment 14
Electromagnetic Compatibility (EMC) Part 3: Limits - Section 2: Limits for Harmonic Current Emissions (Equipment Input Current <= 16A per Phase)

EN 61000-3-2 + Amendment 1, + Amendment 2, + Amendment 14
Electromagnetic Compatibility (EMC) Part 3: Limits - Section 2: Limits for Harmonic Current Emissions (Equipment Input Current <= 16A per Phase)

Paul A. Conley August 4, 2009

St. Louis, MO 10/14/05, Paul Conley, Chief Engineer

Americas:
One Lincoln Way
St. Louis, MO 63120-1578
USA
Phone +1.314.679.4200
Fax +1.800.424.5359

Europe/Africa:
Heinrich-Hertz-Str 2-8
D-69183 Walldorf
Germany
Phone +49.6227.33.0
Fax +49.6227.33.259

Asia/Pacific:
51 Changi Business Park
Central 2
#09-06 The Signature
Singapore 486066
Phone +65.6588.0188
Fax +65.6588.3438

© Copyright 2009
Printed in USA
Web site:
lincolnindustrial.com