

PowerLuber cordless grease gun

14.4V, 18V



PowerLuber cordless grease gun

14.4 V, 18 V

The high-performance PowerLuber grease guns dispose of:

- Two-speed switch for high-pressure or high-volume delivery
- Cycle indicator pin to monitor grease output
- Charger that recognizes the current charging level and therefore delivers reliable power

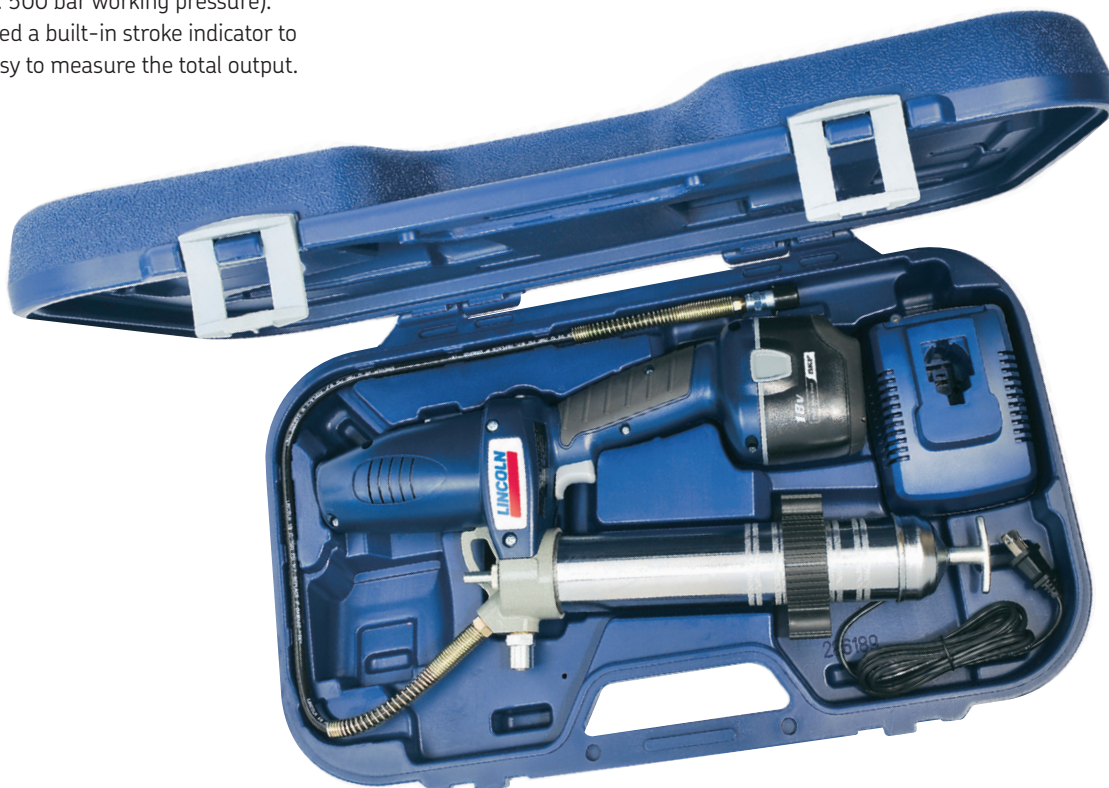
All the features you need, including comfortable grip and balanced design; hook for shoulder strap; built-in hose and coupler holder; and a slim, compact carrying case. For years, Lincoln's PowerLuber has been the favourite of technicians, mechanics, maintenance crews, farmers and others for almost every lubrication and preventative maintenance task imaginable – from the automotive, trucking and fleet industries to everyday applications in agriculture, construction and industry.

PowerLuber's versatile two-speed design gives it the capability of two powerful tools in one. At the touch of a button, it can deliver high volumes of lubricant at medium pressure or a concentrated stream at high pressure (max. 500 bar working pressure). We've added a built-in stroke indicator to make it easy to measure the total output.



Even with all that power, the long-lasting, high amperage battery lets you work longer between recharges. When you need to recharge, our high-tech charger does it in less than one hour. The charger even recognizes battery condition when not in use and keeps your battery ready to go.

The PowerLuber's balanced design and padded grip make this tool comfortable and easy to use. Packed in a heavy-duty compact case molded from impact- and stain-resistant plastic, this package comes complete with the PowerLuber grease gun and battery, a 230 V one-hour charger and a 30 inch flex hose with spring guard.



Comparison 14.4 V/18 V

Models		1442-E	1842-E
Voltage	[V]	14.4	18
Capacity	[mAh]	1 700	1 900
Two-speed transmission high-volume (high)/ high-pressure (low)		•	•
Patented stroke counter		•	•
Max. output pressure	[bar]	500	500
Max output rate (low)¹⁾	[cm ³ /min]	108	108
Max output rate (high)¹⁾	[cm ³ /min]	240	240
Cartridges dispensed per charge²⁾		5–7	8–10
Overload protection Circuit breaker Pressure relief valve		• •	• •
Bulk filler valve		•	•
Quick Vent – air purge valve		•	•
Hose type 760 mm high-pressure with dual spring guards and coupler		•	•
Charger – voltage range	[V]	14–18	14–18
Charge time	[min]	45–60	45–60
Compact carrying case		•	•
Hose/coupler/cord clip		•	•

¹⁾ at 70 bar back pressure, grease NLGI 2

²⁾ average dispense, depending on grease type, ambient temperature and back pressure

Comparison 14.4 V/18 V

Accessories	Model	14.4 V	18 V
230 V AC quick charger	1410-E	•	•
12/24 V DC charger	1815-A	•	•
Battery	1801 1401	• •	• •
Shoulder strap	1414	•	•



Multi-speed output selector – control the powerful two-speed transmission with just a push



Stroke cycle indicator pin – lets you monitor total output by touch



Motor overload protection – reset breaker protects motor from overload



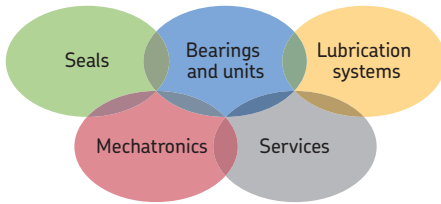
Snap-lock easy loading battery – provides long lasting power to get the job done



Built-in hose and coupler holder – keeps hose and grease coupler secure when not in use



One hour charger – recognizes battery condition when not in use – keeps battery ready to go



The Power of Knowledge Engineering

Drawing on five areas of competence and application-specific expertise amassed over more than 100 years, SKF brings innovative solutions to OEMs and production facilities in every major industry worldwide. These five competence areas include bearings and units, seals, lubrication systems, mechatronics (combining mechanics and electronics into intelligent systems), and a wide range of services, from 3-D computer modelling to advanced condition monitoring and reliability and asset management systems. A global presence provides SKF customers uniform quality standards and worldwide product availability.

! Important information on product usage

All products from Lincoln may be used only for their intended purpose as described in this brochure and in any instructions. If operating instructions are supplied with the products, they must be read and followed.

Not all lubricants are suitable for use in centralized lubrication systems. Lincoln does offer an inspection service to test customer supplied lubricant to determine if it can be used in a centralized system. Lincoln lubrication systems or their components are not approved for use with gases, liquefied gases, pressurized gases in solution and fluids with a vapor pressure exceeding normal atmospheric pressure (1 013 mbar) by more than 0,5 bar at their maximum permissible temperature.

Hazardous materials of any kind, especially the materials classified as hazardous by European Community Directive EC 67/548/EEC, Article 2, Par. 2, may only be used to fill Lincoln centralized lubrication systems and components and delivered and/or distributed with the same after consulting with and receiving written approval from Lincoln.

Lincoln GmbH

Heinrich-Hertz-Str. 2-8
69190 Walldorf
Germany

Tel. +49 (0)6227 33-0
Fax +49 (0)6227 33-259

This brochure was presented to you by:

© SKF is a registered trademark of the SKF Group.

© Lincoln and PowerLuber are registered trademarks of Lincoln Industrial Corp.

© SKF Group 2011

The contents of this publication are the copyright of the publisher and may not be reproduced (even extracts) unless prior written permission is granted. Every care has been taken to ensure the accuracy of the information contained in this publication but no liability can be accepted for any loss or damage whether direct, indirect or consequential arising out of the use of the information contained herein.

PUB LS/P2 12400 EN · November 2012 · FORM W-190-EN-1112

