

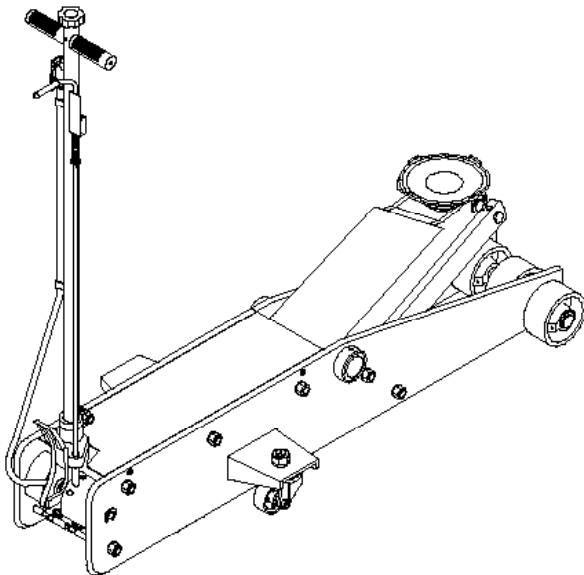
Operating Instructions & Parts Manual



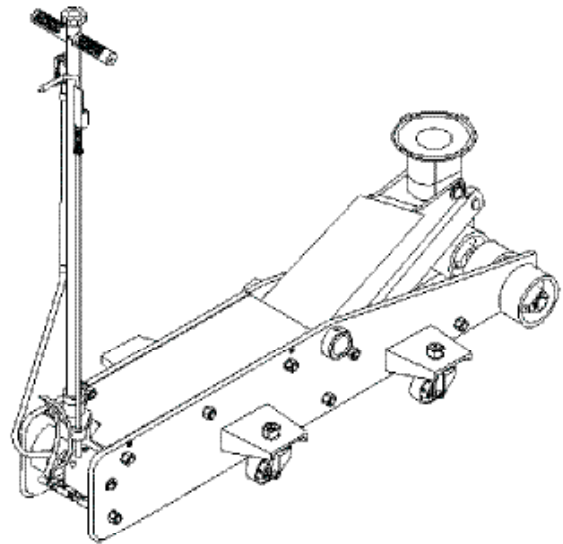
Long Chassis Hydraulic Service Jack w/ Air

Model
22201
22203

Capacity
20 Ton



Model 22201



Model 22203


U.S. Patent No.'s 5,341,723 • 5,946,912



This is the safety alert symbol. It is used to alert you to potential personal injury hazards. Obey all safety messages that follow this symbol to avoid possible injury or death.

⚠ WARNING

To avoid **crushing and related injuries**:

 **NEVER** work on, under or around a load supported only by a hydraulic jack. **ALWAYS** use adequately rated jack stands.

SFA Companies
<http://www.omegalift.com>

Read this manual and follow all the Safety Rules and Operating Instructions before using this product.

Printed in Taiwan
22201_072013

SAFETY and GENERAL INFORMATION

Save these instructions. For your safety, read, understand, and follow the information provided with and on this jack before using. The owner and operator of this equipment shall have an understanding of this jack and safe operating procedures before attempting to use. The owner and operator shall be aware that use and repair of this product may require special skills and knowledge. Instructions and safety information shall be conveyed in the operator's native language before use of this jack is authorized. If any doubt exists as to the safe and proper use of this jack, remove from service immediately.

Inspect before each use. Do not use if broken, bent, cracked or damaged parts are noted. Any jack that appears damaged in any way, or operates abnormally shall be removed from service immediately. If the jack has been or suspected to have been subjected to a shock load (a load dropped suddenly, unexpectedly upon it), immediately discontinue use until jack has been checked by a factory authorized service center (contact distributor or manufacturer for list of authorized service centers). It is recommended that an annual inspection be done by qualified personnel. Labels and Operator's Manuals are available from manufacturer.

PRODUCT DESCRIPTION

This Omega Hydraulic Air/Lever Actuated Service Jack is designed to lift, but not support, one end of a vehicle. Immediately after lifting, loads must be supported by a pair of appropriately rated jack stands. Air actuated unit requires at least 7.8 CFM @ 110 - 175 PSI. A minimum of 150 PSI air pressure is required to raise rated capacity load.

⚠ WARNING: NEVER use hydraulic jack as stand-alone device. After lifting, immediately support the lifted vehicle with a pair of appropriately rated jack stands.

SPECIFICATIONS

Model	Capacity	Jack Size (L x W x H)	Min. Height	Max. Height	Saddle Dia.
22201	20 Ton	62-1/4" x 20-3/8" x 11-3/4"	7-1/2"	26"	6-1/8"
22203		74" x 20-3/8" x 14-3/8"	13"	39-1/2"	

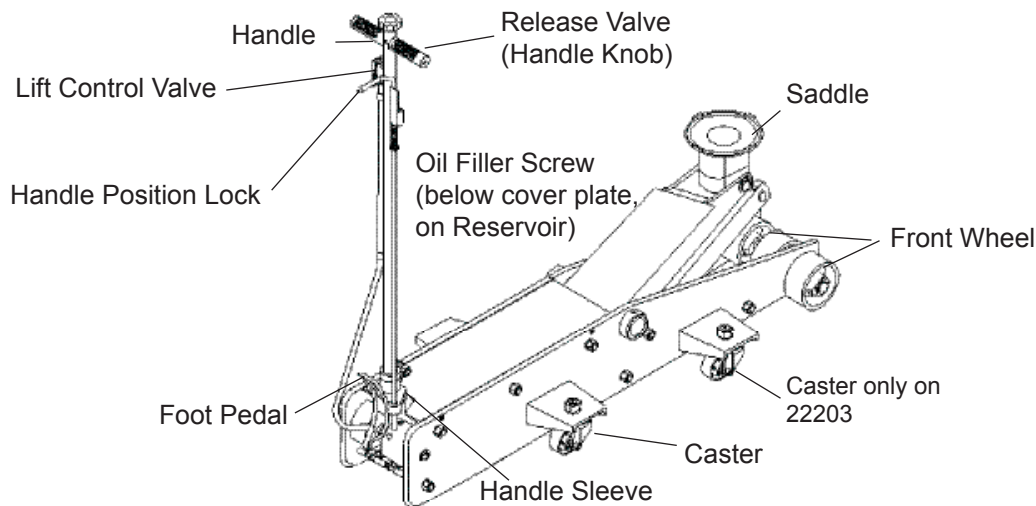


Figure 1 - Typical Long Chassis Service Jack w/ Air (22203 shown)

PREPARATION

Assembly (refer to Figures 1, 2)

Always secure the handle into the handle sleeve by means of the bolt, lock washer and nut provided. Tighten securely to prevent accidental removal of handle while in use.

Before Use


1. Verify that the product and application are compatible, if in doubt call Omega Technical Service (888) 332-6419.
2. Before using this product, read the operator's manual completely and familiarize yourself thoroughly with the product, its components and recognize the hazards associated with its use.
3. To familiarize yourself with basic operation, turn the release valve (handle knob):
 - a. *Clockwise* until firm resistance is felt to further turning. This is the '**CLOSED**' release valve position used to **raise** the saddle.
 - b. *Counter-clockwise*, but no more than 1 full turn from the closed position. This is the '**OPEN**' release valve position used to **lower** the saddle.
4. With saddle fully lowered, and release valve closed, pump the handle. If lift arm responds immediately, jack is ready for use. If jack does not respond, follow **Bleeding/ Venting Trapped Air** instructions below.
5. Pour a teaspoon of good quality air tool lubricant into the air supply inlet of the lift control valve. Connect to air supply, then squeeze the lift control valve for 3 seconds to evenly distribute lubricant.

Note: These models are equipped with a popular 1/4" NPT air coupler. When installing a different air coupler of your choice, ensure that thread tape or compound is used when servicing connections. To ensure dependable, trouble free operation an inline air dryer and oiler is recommended.

6. Ensure that jack rolls freely. Raise and lower the unloaded saddle throughout the lifting range before putting into service to ensure the pump operates smoothly. Replace worn or damaged parts and assemblies with authorized replacement parts only.

Bleeding / Venting Trapped Air

With the release valve in the OPEN position (3b.) and with saddle fully lowered, locate and remove the oil filler plug/screw. Pump 6 to 8 full strokes. This will help release any pressurized air which may be trapped within the reservoir. Reinstall the oil filler plug/screw.

 **WARNING**

- **Study, understand, and follow** all printed materials provided with/on this product before use.
- **Do not** exceed rated capacity.
- Use only on hard, level surface.
- **This is a lifting device only! Immediately** after lifting, support the load with a **pair** of appropriately rated jack stands.
- **Only** attachments and/ or adapters supplied by the manufacturer shall be used.
- Lift only on areas of the vehicle as specified by the vehicle manufacturer.
- Never wire, clamp or otherwise disable the lift control valve to function by other than operator's hand.
- Do not move or dolly the vehicle while on the jack.
- No alterations shall be made to this product.
- Failure to heed these markings may result in personal injury and/or property damage.

 **WARNING**



To avoid **crushing and related injuries**:

- **Never** work on, under or around a load supported only by hydraulic jack.
- **Always** use adequately rated jack stands.
- Chock each unlifted tire in both directions.
- **Do not** use this device to lift, level, lower, support nor move a house, mobile home, travel trailer, camper or any building structure.
- **Be alert** and **sober** when using this product. Do not operate under the influence of drugs or alcohol.

OPERATION

Lifting



Only attachments and/or adapters supplied by the manufacturer shall be used. Lift only on area of the vehicle as specified by the vehicle manufacturer.

Note: The jack is equipped with handle position lock. To adjust the handle, release lock device by pulling the lever up, then back until lever is locked into place.

1. Follow the vehicle manufacturer's recommended guidelines for lifting. Engage the emergency brake and chock each unlifted wheel in both directions to prevent inadvertent vehicle movement.
2. Locate and close the release valve by turning the release valve knob clockwise until firm resistance is felt.
3. Refer to the vehicle manufacturer owner's manual to locate approved lifting points on the vehicle. Center jack saddle under lift point.
4. Verify lift point, then pump handle or foot pedal to contact lift point. To lift, pump handle or squeeze lift control valve until load reaches desired height. **Never** use foot pedal to raise load.
5. Transfer the load **immediately** to appropriately rated jack stands.



NEVER use hydraulic jack as a stand alone device! **ALWAYS** transfer the lifted load **IMMEDIATELY** to a pair of appropriately rated jack stands. Use one pair of jack stands per vehicle. Rated capacity is per pair only! Do not exceed rated capacity.

Lowering



*Be sure all tools and personnel are clear before lowering load. **Slowly open the release valve!** The more you turn the release valve knob counter-clockwise, the faster the load will come down. **Maintain control** of the rate of speed at which the load lowers at all times!*

1. Raise load high enough to clear the jack stands.
2. Remove jack stands carefully. (**always** used in pairs).
3. **Slowly** turn the release valve knob counter-clockwise, but no more than 1/2 full turn. If the load fails to lower:
 - a. Use another jack to raise the vehicle high enough to reinstall jack stands.
 - b. Remove the malfunctioning jack and then the jack stands.
 - c. Use the functioning jack to lower the vehicle.
4. After removing jack from under the vehicle, fully lower the saddle to reduce ram exposure to rust and contamination.

MAINTENANCE

Important: Use **ONLY** good grade hydraulic jack oil. Avoid mixing different types of fluid and **Never** use brake fluid, turbine oil, transmission fluid, motor oil or glycerin. Improper fluid can cause failure of the jack and the potential for sudden and immediate loss of load. We recommend premium hydraulic jack oil.

Adding oil

1. With saddle fully lowered set jack in its upright, level position. Locate and remove oil filler vent screw.
2. Fill with oil until ~3/16" above the inner cylinder as seen from the oil filler hole. Reinstall the oil filler vent screw.

Changing oil

For best performance, replace the complete fluid supply at least once per year.

1. With saddle fully lowered, remove the oil filler vent screw.
2. Lay the jack on its side and drain the fluid into a suitable container.

Note: Dispose of hydraulic fluid in accordance with local regulations.

3. Fill with oil until ~3/16" above the inner cylinder as seen from the oil filler hole. Reinstall the oil filler vent screw.

Lubrication

A periodic coating of light lubricating oil to pivot points, axles and hinges will help to prevent rust and assure that wheels, casters and pump assemblies move freely. To help ensure trouble free operation, an inline air dryer and oiler is recommended.

Cleaning

Periodically check the pump piston and ram for signs of rust or corrosion. Clean as needed and wipe with an oily cloth.

Note: Never use sandpaper or abrasive material on these surfaces!

Storage

When not in use, store the jack with saddle fully lowered.

TROUBLESHOOTING

Symptom	Possible Causes	Corrective Action
Jack will not lift load	<ul style="list-style-type: none">• Release valve not tightly closed• Overload condition• Air pressure inadequate	<ul style="list-style-type: none">• Ensure release valve tightly closed• Remedy overload condition• Ensure adequate air pressure
Jack will lift, but not maintain pressure	<ul style="list-style-type: none">• Release valve not tightly closed• Hydraulic unit malfunction	<ul style="list-style-type: none">• Ensure release valve tightly closed• Discontinue use, contact Omega technical service
Jack will not lower after unloading	<ul style="list-style-type: none">• Reservoir overfilled• Linkages binding• Fluid level low	<ul style="list-style-type: none">• Drain fluid to proper level• Clean and lubricate moving parts• Ensure proper fluid level
Poor lift performance	<ul style="list-style-type: none">• Fluid level low• Air trapped in system	<ul style="list-style-type: none">• Ensure proper fluid level• See Page 3 for bleeding/Venting Trapped Air
Will not lift to full extension	<ul style="list-style-type: none">• Fluid level low	<ul style="list-style-type: none">• Ensure proper fluid level

REPLACEMENT PARTS

(refer to page 6 thru 9)

Not all components of the jack are replacement items, but are illustrated as a convenient reference of location and position in the assembly sequence. When ordering parts, give Model number, serial number and parts description. Call or write for current pricing: SFA Companies, 10939 N. Pomona Ave. Kansas City, MO 64153, U.S.A.

Tel:(888)332-6419 Fax:(816)891-6599 E-Mail: sales@omegalift.com Omega Website: <http://www.omegalift.com>

Replacement Parts Illustration for Model 22201

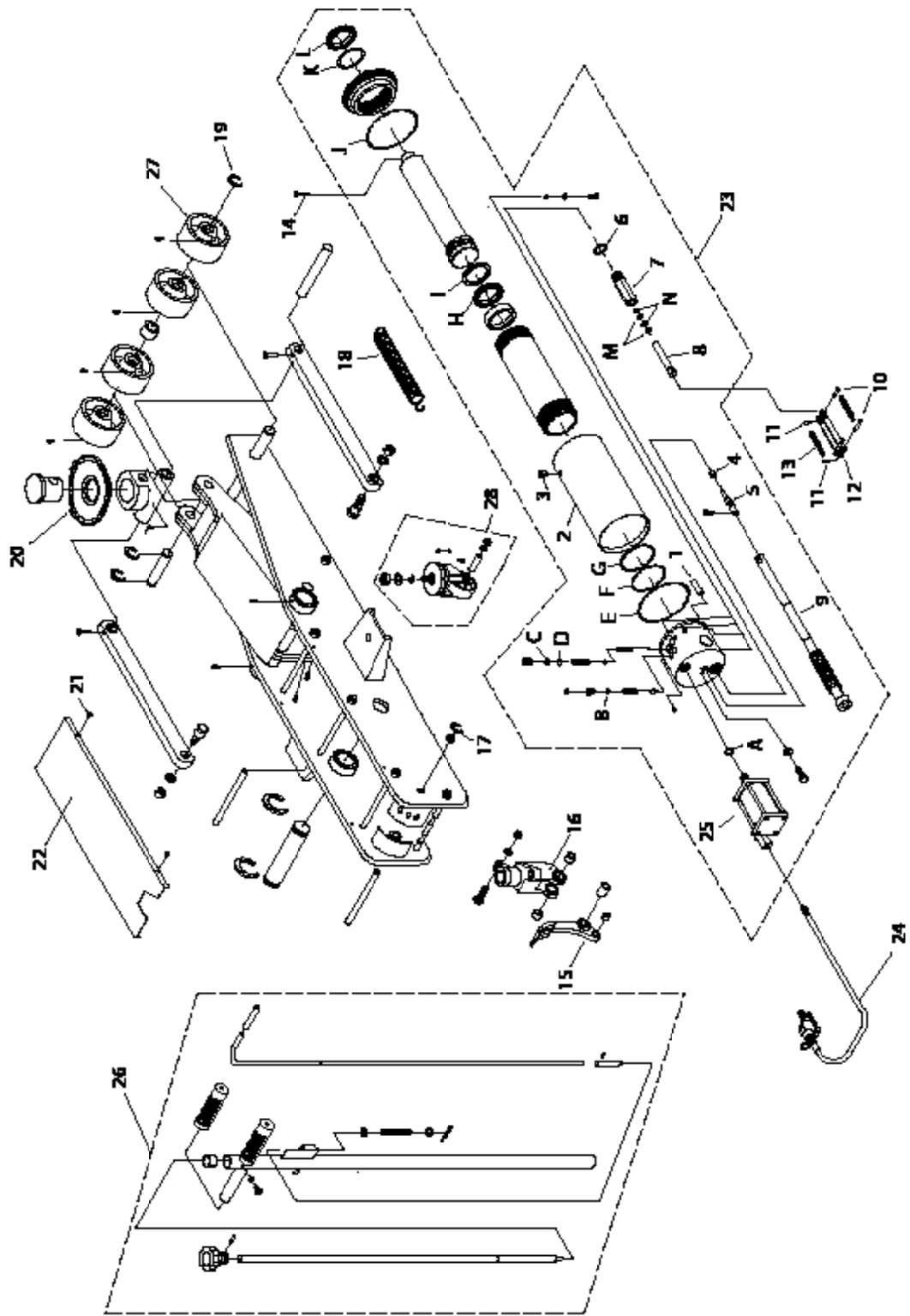


Figure 2 - Replacement Parts Illustration for Model 22201

Replacement Parts List for Model 22201

Item	Part No.	Description	Qty.
1	532-8-0008-108	Filter	1
2	G55-6-1803-109	Reservoir	1
3	G55-4-1900-105	Oil Filler Vent Screw Assy.	1
4	551-7-0060-066	Oil Seal	1
5	G13-6-1701-105	Release Valve	1
6	515-3-0190-108	Copper Gasket	1
7	G55-6-1401-109	Pump Cylinder	1
8	G55-6-1306-105	Pump Piston	1
9	G55-3-2600-102	U-joint Assy.	1
10	G58-6-1358-105	Pin	2
11	513-5-0018-012	Retaining Pin	2
12	G58-3-1309-104	Piston Link	1
13	521-2-0220-077	Extension Spring	2
14	653-1-0064-061	Pin	1
15	421-6-9004-200	Foot Pedal	1
16	G-55-6-1301-105	Handle Fork	1
17	667-5-0180-009	Snap Ring	4
18	521-2-0370-104	Extension Spring	2
19	677-5-0240-018	"E" Clip	2
20	G55-6-4201-106	Saddle	1
21	620-1-0050-304	Screw	4
22	G55-6-4120-106	Cover	1
23	G55-1-1000-101	Hydraulic Unit	1
24	A19-4-2050-101	Air Ctrl Valve & Hose	1
25	G55-3-2000-108	Air Pump Assy.	1
26	G55-4-2300-106	Handle Assy.	1
27	500-1-1500-309	Front Wheel	4
28	G55-4-5000-200	Caster Assy.	2
A-N,4,6	G55-3-9900-109	Repair Kit	-

Replacement Parts Illustration for Model 222203

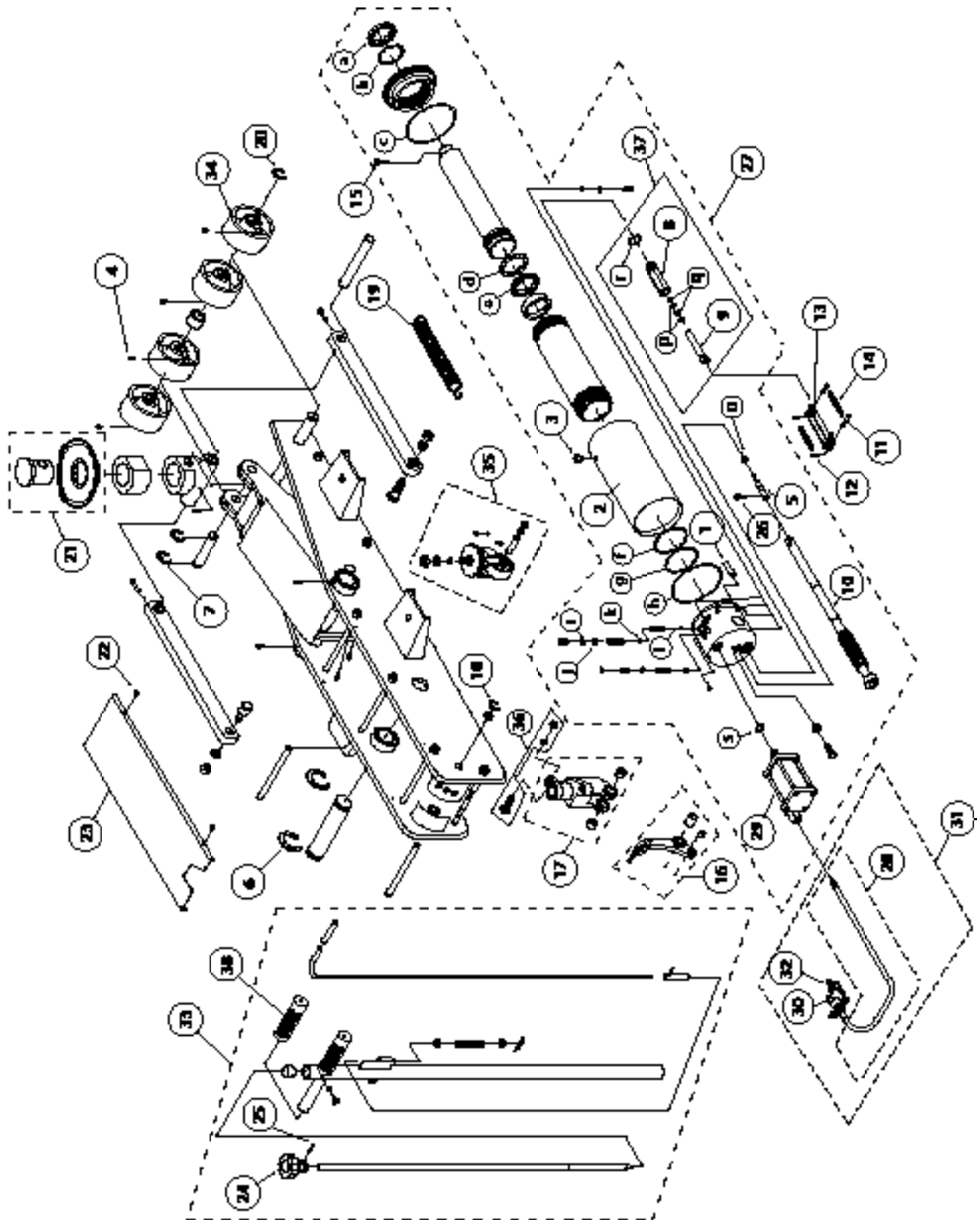


Figure 3 - Replacement Parts Illustration for Model 222203

Replacement Parts List for Model 22203

Item	Part No.	Description	Qty.
1	532-8-0008-004	Filter	1
2	G55-5-0803-103	Reservoir	1
3	G55-4-1900-105	Vented Filler Screw	1
4	601-8-0006-001	Grease Nipple	1
5	G13-6-1701-105	Release Valve	13
6	667-5-0450-002	'C' Clip	1
7	667-5-0360-002	'C' Clip	2
8	G651-31002-000	Pump Cylinder	2
9	G651-31001-000	Pump Piston	1
10	G55-3-2600-102	Assy, Universal Joint	1
11	G58-6-1358-105	Pin	1
12	1513-5-0018-012	Spring Clip	2
13	G58-3-1309-104	Piston Link	2
14	521-2-0220-077	Return Spring, Pedal	2
15	653-1-0064-061	Pin	2
16	421-3-9004-101	Assy, Foot Pedal	1
17	G55-3-9911-104	Assy, Handle Sleeve	1
18	667-5-0180-009	Snap Ring	1
19	521-2-0370-104	Return Spring	2
20	677-5-0240-018	E- Clip	2
21	G55-3-9904-107	Assy, Saddle	2
22	667-5-0180-009	Screw, Phillips	1
23	G55-5-4120-100	Cover Plate	4
24	421-6-2202-209	Knob	1
25	601-4-0040-034	Spring Pin	1
26	649-1-0050-019	Screw	1
27	G55-1-1005-101	Hyd. Power Unit	1
28	A19-4-2050-101	Air Hose	1
29	G55-3-2000-108	Air Motor	1
30	A19-3-2050-105	Lift Control Valve	1
31	A27-4-2050-105	Hose Assembly	1
32	A07-6-2062-108	Quick coupler, Male	1
33	A19-4-2050-101	Handle Assembly	1
34	500-1-1500-309	Front Wheel	4
35	G55-4-5000-200	Caster Assembly	2
36	G55-3-9907-103	Bolt Assembly	1
37	G55-3-9908-105	Pump Assembly	1
38	506-9-0264-106	Handle Grip	2
A- S	G55-3-9900-109	**Repair Kit for Hyd. Unit	1

(**) Replacement requires special skills, knowledge, and equipment. Only an authorized service center may perform the repair and/ or replacement of these items. Contact Omega technical service for list of service centers.

ONE YEAR LIMITED WARRANTY

For a period of one (1) year from date of purchase, **SFA Companies** will repair or replace, at its option, without charge, any of its products which fails due to a defect in material or workmanship under normal usage. This limited warranty is a consumer's exclusive remedy.

Performance of any obligation under this warranty may be obtained by returning the warranted product, freight prepaid, to **SFA Companies** Warranty Service Department, 10939 N. Pomona Ave., Kansas City, MO 64153.

Except where such limitations and exclusions are specifically prohibited by applicable law, (1) THE CONSUMER'S SOLE AND EXCLUSIVE REMEDY SHALL BE THE REPAIR OR REPLACEMENT OF DEFECTIVE PRODUCTS AS DESCRIBED ABOVE. (2) **SFA COMPANIES** SHALL NOT BE LIABLE FOR ANY CONSEQUENTIAL OR INCIDENTAL DAMAGE OR LOSS WHATSOEVER. (3) ANY IMPLIED WARRANTIES, INCLUDING WITHOUT LIMITATION THE IMPLIED WARRANTIES OF MERCHANTABILITY AND FITNESS FOR A PARTICULAR PURPOSE, SHALL BE LIMITED TO ONE YEAR, OTHERWISE THE REPAIR, REPLACEMENT OR REFUND AS PROVIDED UNDER THIS EXPRESS LIMITED WARRANTY IS THE EXCLUSIVE REMEDY OF THE CONSUMER, AND IS PROVIDED IN LIEU OF ALL OTHER WARRANTIES, EXPRESS OR IMPLIED. (4) ANY MODIFICATION, ALTERATION, ABUSE, UNAUTHORIZED SERVICE OR ORNAMENTAL DESIGN VOIDS THIS WARRANTY AND IS NOT COVERED BY THIS WARRANTY.

Some states do not allow limitations on how long an implied warranty lasts, so the above limitation may not apply to you. Some states do not allow the exclusion or limitation of incidental or consequential damages, so the above limitation or exclusion may not apply to you. This warranty gives you specific legal rights, and you may also have other rights which vary from state to state.



SFA Companies
10939 N. Pomona Ave. Kansas City, MO 64153
888-332-6419
sales@omegalift.com

Manuel des consignes d'utilisation et des pièces

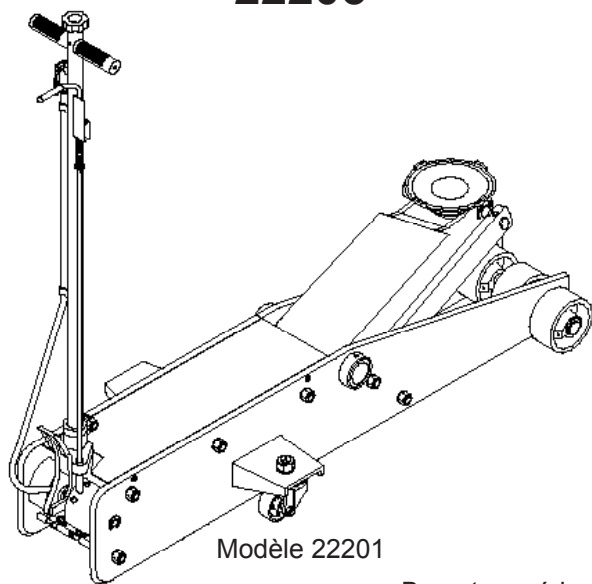


Crics hydrauliques pneumatiques pour entretien à long bâti

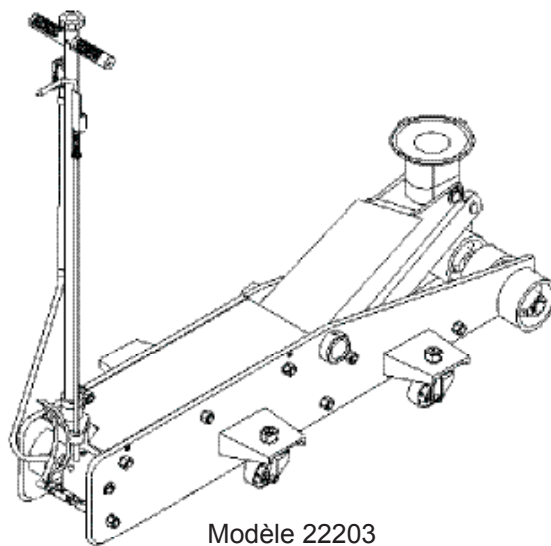
Modèles
22201
22203

Capacité
18 144 kg

(20 tonnes américaines)



Modèle 22201



Modèle 22203

Brevets américains n^{os} 5,341,723 • 5,946,912



Voici le symbole signalant un danger pour la sécurité. Il est utilisé pour vous alerter des dangers potentiels de blessures.

Respectez tous les messages de sécurité qui suivent ce symbole afin d'éviter les blessures et la mort.



MISE EN GARDE

Pour éviter de vous faire écraser et de subir des blessures :



Ne travaillez **JAMAIS** autour d'une charge, en dessous d'elle ou sur celle-ci, si elle est supportée seulement par un cric hydraulique. **UTILISEZ TOUJOURS** des béquilles de cric dont la capacité nominale est adéquate.

SFA Companies

<http://www.omegalift.com>

Lisez ce manuel et observez toutes les consignes de sécurité et d'utilisation avant d'utiliser ce produit.

INFORMATIONS GÉNÉRALES et INFORMATIONS RELATIVES À LA SÉCURITÉ

Conservez ces instructions. Pour votre sécurité, assurez-vous de lire, de bien comprendre et de respecter toutes les consignes fournies avec ce produit ou se trouvant sur celui-ci avant de l'utiliser. Le propriétaire, ainsi que l'utilisateur, doit comprendre le fonctionnement de ce produit et les consignes de sécurité associées à son utilisation avant de s'en servir. Ces personnes doivent aussi savoir que, pour utiliser ou réparer ce produit, il peut être nécessaire d'avoir des connaissances ou des habiletés spéciales. Avant que l'utilisation de ce produit ne soit autorisée, il faut faire connaître à l'opérateur, dans sa langue maternelle, les instructions et les informations relatives à la sécurité. S'il y a des doutes quant à la façon adéquate et sécuritaire de se servir de ce cric, il faut en cesser l'utilisation immédiatement.

Inspectez le cric avant chaque utilisation. Ne l'utilisez pas s'il présente des pièces brisées, déformées, fissurées ou endommagées. Il faut immédiatement cesser l'utilisation d'un cric qui semble endommagé ou qui fonctionne de manière anormale. Si le cric a été soumis, ou semble avoir été soumis, à une surcharge d'impact (charge qui serait tombée accidentellement dessus), cessez immédiatement de l'utiliser et faites-le vérifier par un centre de réparation autorisé par l'usine (communiquiez avec le distributeur ou le fabricant pour avoir une liste des endroits autorisés). Il est recommandé qu'un personnel qualifié inspecte l'appareil annuellement. Il est possible de se procurer d'autres étiquettes et d'autres manuels auprès du fabricant.

DESCRIPTION DU PRODUIT

Ce cric hydraulique pneumatique à levier pour entretien d'Omega est conçu pour soulever, et non supporter, une extrémité de véhicule. Les charges doivent être supportées par une paire de béquilles de cric à capacité nominale adéquate immédiatement après le levage. Ce cric pneumatique a besoin d'un débit de 0,22 m³/min à une pression allant de 758 à 1 206 kPa (7,8 pi³/min pour une pression de 110 à 175 po/lb²). Une pression minimale d'air de 1 034 kPa (150 po/lb²) est requise pour soulever une charge égale à la capacité nominale.

⚠ MISE EN GARDE : N'utilisez **JAMAIS** un cric hydraulique comme seul dispositif de support. Après le levage, faites reposer **immédiatement** le véhicule soulevé sur une paire de béquilles de cric d'une capacité nominale.

SPÉCIFICATIONS

Modèles	Capacité	Dimensions du cric (L x l x H)	Hauteur min.	Hauteur max.	Diamètre du point d'appui
22201	18 144 kg (20 tonnes américaines)	158,12 x 51,75 x 29,85 cm (62-1/4 x 20-3/8 x 11-3/4 po)	19,05 cm (7-1/2 po)	66,04 cm (26 po)	15,56 cm (6-1/8 po)
22203		187,96 x 51,75 x 36,51 cm (74 x 20-3/8 x 14-3/8 po)	33,02 cm (13 po)	100,33 cm (39-1/2 po)	

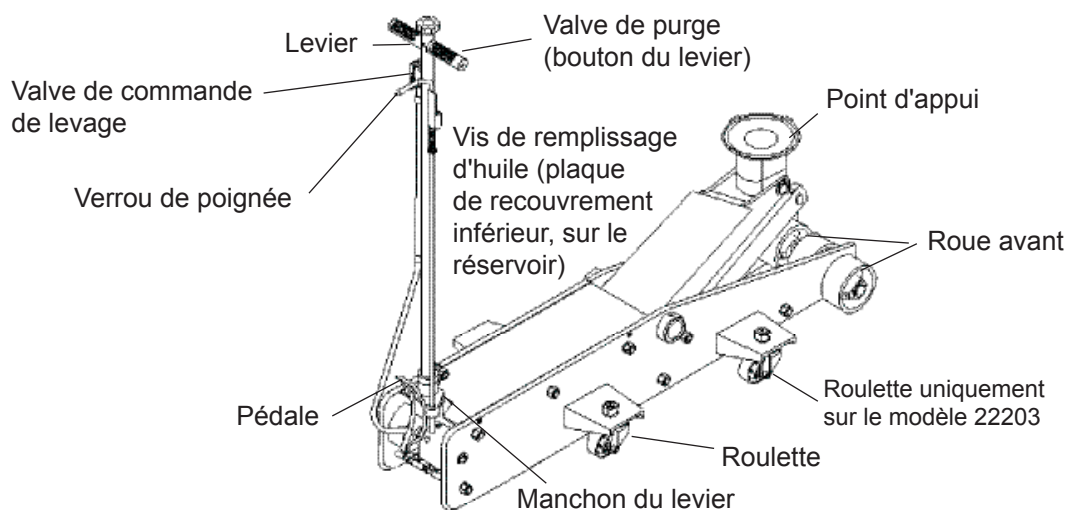


Figure 1 - Cric hydraulique pneumatique pour entretien à long bâti type (modèle 22203 illustré)

PRÉPARATION

Assemblage (reportez-vous aux figures 1 et 2)

Fixez toujours le levier dans son manchon en utilisant la rondelle de blocage et l'écrou du boulon fournis. Serrez l'écrou de manière ferme pour empêcher que la poignée sorte de façon accidentelle pendant l'utilisation du cric.

Avant l'utilisation

1. Vérifiez que le produit et son utilisation sont compatibles. Si vous avez des doutes, appelez le soutien technique d'Omega au 1 888 332-6419.
2. Avant d'utiliser ce cric, lisez entièrement son manuel d'utilisation, familiarisez-vous avec le produit et identifiez les dangers potentiels associés à son utilisation.
3. Afin de vous familiariser avec le fonctionnement de base du cric, tournez la valve de purge (bouton du levier) :
 - a. Dans le sens *horaire* jusqu'à ce que vous sentiez une forte résistance au mouvement. C'est la position « **FERMÉE** » de la valve de purge utilisée pour **soulever** le point d'appui.
 - b. Dans le sens *antihoraire*, mais pas plus d'un tour complet à partir de la position fermée. C'est la position « **OUVERTE** » de la valve de purge utilisée pour **abaisser** le point d'appui.
4. Lorsque le point d'appui est complètement abaissé et que la valve de purge est fermée, actionnez la pompe à l'aide du levier. Si le bras de levage réagit immédiatement, le cric peut maintenant être utilisé. Si ce n'est pas le cas, suivez les instructions de la section **Purge de l'air emprisonné** ci-dessous.
5. Versez une cuillère à thé de lubrifiant de bonne qualité pour outil à air dans l'entrée de l'alimentation en air de la vanne de commande de levage. Branchez l'alimentation en air et ouvrez la valve de commande de levage pendant 3 secondes pour distribuer le lubrifiant de façon uniforme.

Remarque : Ces modèles sont dotés de raccords pour tuyaux d'air 0,63 cm (1/4 po) NPT. Lorsque vous installez un raccord pour tuyau d'air de votre choix, assurez-vous d'utiliser du ruban pour joints filetés ou du scellant lorsque vous faites l'entretien des branchements. Il est recommandé d'utiliser un dessiccateur d'air en ligne et un huileur d'air en ligne pour assurer un fonctionnement fiable sans problème.

6. Assurez-vous que le cric fonctionne en douceur. Avant d'utiliser le cric, assurez-vous que le mécanisme fonctionne en douceur en levant le point d'appui à son niveau maximal, puis en l'abaissant à son niveau minimal, sans charge. Remplacez les pièces et les assemblages usés ou endommagés seulement par des pièces de rechange autorisées.

Purge de l'air emprisonné

Lorsque la valve de purge est en position OUVERTE (étape 3b.) et que le point d'appui est à son niveau minimal, trouvez et enlevez le bouchon de remplissage d'huile. Abaissez et levez le levier complètement de 6 à 8 fois. Cela va faciliter la libération de tout air pressurisé pouvant être emprisonné dans le réservoir. Remettez le bouchon ou la vis.



MISE EN GARDE

- **Assurez-vous de lire, de bien comprendre et de suivre** toutes les consignes décrites dans les documents fournis avec ce produit ou qui se trouvent sur l'appareil avant d'utiliser ce dernier.
- **Ne dépassez pas** la capacité nominale.
- Utilisez cet équipement seulement sur des surfaces dures et de niveau.
- **Cet équipement ne doit être utilisé qu'à des fins de levage uniquement!** Après le levage, faites reposer **immédiatement** la charge soulevée sur **une paire** de béquilles de cric d'une capacité nominale adéquate.
- **Utilisez** seulement les accessoires et les adaptateurs fournis par le fabricant.
- Utilisez le cric seulement aux points de levage indiqués par le fabricant du véhicule.
- N'attachez et ne fixez jamais la valve de commande et ne faites jamais rien pour qu'elle soit contrôlée d'une autre façon que par la main de l'opérateur.
- Ne déplacez pas le véhicule lorsqu'il est supporté par le cric.
- Ne modifiez pas ce produit.
- Le non-respect de ces consignes peut entraîner des blessures ou des dommages matériels.



MISE EN GARDE



Pour éviter de vous faire écraser et de subir des blessures :

- **Ne travaillez jamais** autour d'une charge, en dessous d'elle ou sur celle-ci, si elle est supportée seulement par un cric hydraulique.
- Utilisez **toujours** des béquilles de cric dont la capacité nominale est adéquate.
- Mettez des cales à l'avant et à l'arrière des pneus non soulevés.
- N'utilisez **pas** cet appareil pour soulever, mettre à niveau, abaisser, supporter ou déplacer une maison, une maison mobile, une caravane classique, une roulotte ou une structure d'édifice.
- **Soyez vigilant et sobre** lorsque vous utilisez ce produit. Ne vous en servez pas si vous avez consommé de l'alcool ou de la drogue.

FONCTIONNEMENT

Soulever



Utilisez seulement les accessoires et les adaptateurs fournis par le fabricant. Utilisez le cric seulement au point de levage indiqué par le fabricant du véhicule.

Remarque : Ces crics sont munis d'un verrou de poignée. Pour ajuster le levier, libérez le verrou en tirant sur le levier vers le haut, puis faites-le descendre jusqu'à ce qu'il soit verrouillé en place.

1. Respectez les lignes directrices du fabricant du véhicule pour le levage. Serrez le frein de stationnement du véhicule et mettez des cales à l'avant et à l'arrière des roues non soulevées pour empêcher tout déplacement du véhicule.
2. Trouvez et fermez la valve de purge en tournant le bouton de la valve dans le sens horaire jusqu'à ce que vous sentiez une bonne résistance.
3. Consultez le manuel du propriétaire fourni par le fabricant du véhicule pour connaître les points de levage approuvés. Centrez le point d'appui du cric sur le point de levage.
4. Inspectez le point de levage, puis abaissez et levez le levier ou pesez sur la pédale pour que le point d'appui entre en contact avec le point de levage. Pour soulever la charge, appuyez sur le levier ou ouvrez la valve de commande de levage jusqu'à ce que la charge atteigne la hauteur désirée. **N'utilisez jamais** la pédale pour faire monter la charge.
5. Faites reposer la charge sur des béquilles de cric à capacité nominale adéquate **immédiatement**.



*N'utilisez **JAMAIS** un cric hydraulique comme seul dispositif de soutien! Faites **TOUJOURS IMMÉDIATEMENT** reposer la charge soulevée sur une paire de béquilles de cric à capacité nominale adéquate. Utilisez une paire de béquilles par véhicule. La capacité nominale est calculée en fonction d'une paire de cric uniquement! Ne dépassez pas la capacité nominale.*

Abaisser



*Avant d'abaisser la charge, assurez-vous qu'il n'y a aucun outil ni aucune personne en dessous de celle-ci. **Ouvrez lentement la valve de purge!** Plus le bouton est tourné dans le sens antihoraire, plus la charge descend rapidement. **Contrôlez en tout temps la vitesse à laquelle la charge s'abaisse!***

1. Soulevez la charge suffisamment pour enlever les béquilles de cric.
2. Enlevez les béquilles avec précaution. (utilisez **toujours** les béquilles de cric par paires).
3. Tournez **lentement** le levier dans le sens antihoraire, mais ne faites pas plus d'un demi-tour. Si la charge ne descend pas :
 - a. Utilisez un autre cric pour soulever le véhicule suffisamment pour remettre les béquilles de cric.
 - b. Enlevez le cric défectueux et enlevez ensuite les béquilles de cric.
 - c. Utilisez le cric qui fonctionne pour faire descendre le véhicule.
4. Après avoir retiré le cric, faites descendre le point d'appui à son niveau minimal pour prévenir la rouille et la contamination du vérin.

ENTRETIEN

Important : N'utilisez **SEULEMENT** que de l'huile pour cric hydraulique de bonne qualité. Évitez de mélanger différents types de liquides et n'utilisez **jamais** de liquide pour frein, d'huile de turbine, de liquide de transmission, d'huile moteur ou de glycérine. L'utilisation d'un liquide inapproprié peut entraîner une défaillance du cric et causer une chute potentielle soudaine et immédiate de charge. Il est recommandé d'utiliser de l'huile hydraulique pour cric de première qualité.

Ajouter de l'huile

1. Lorsque le point d'appui est à son niveau minimal, mettez le cric debout et à niveau. Trouvez et enlevez la vis de remplissage d'huile.
2. Mettez de l'huile jusqu'à ce que son niveau se trouve à environ 0,48 cm (3/16 po) au-dessus du cylindre intérieur, selon ce qui peut être observé à partir de l'orifice de remplissage. Remettez la vis de remplissage d'huile.

Changer l'huile

Afin d'obtenir une performance optimale, remplacez complètement l'huile au moins une fois par année.

1. Lorsque le point d'appui est à son niveau minimal, enlevez le bouchon ou la vis de remplissage d'huile.
2. Posez le cric sur le côté et purgez le liquide en l'envoyant dans un contenant adéquat.

Remarque : Jetez l'huile hydraulique en respectant la réglementation locale.

3. Mettez de l'huile jusqu'à ce que son niveau se trouve à environ 0,48 cm (3/16 po) au-dessus du cylindre intérieur, selon ce qui peut être observé à partir de l'orifice de remplissage. Remettez la vis de remplissage d'huile.

Lubrification

Une lubrification périodique des points de pivotement, des axes et des charnières faite avec de l'huile légère aide à prévenir la rouille et à assurer que les roues, les galets et les assemblages du levier bougent librement. Il est recommandé d'utiliser un dessiccateur d'air en ligne et un huileur d'air en ligne pour assurer un fonctionnement fiable sans problème.

Nettoyage

Inspectez périodiquement le piston du levier et le vérin à piston plongeur pour voir s'il y a de la rouille ou de la corrosion. Nettoyez selon les besoins et essuyez avec un linge huileux.

Remarque : N'utilisez jamais de papier sablé ou de matériau abrasif sur ces surfaces!

Rangement

Lorsque le cric n'est pas utilisé, rangez-le, son point d'appui devant être à son niveau minimal.

DÉPANNAGE

Problème	Causes possibles	Mesure corrective
Le cric ne soulève pas la charge	<ul style="list-style-type: none">• La valve de purge n'est pas bien fermée• Surcharge• Pression d'air incorrecte	<ul style="list-style-type: none">• Assurez-vous que la valve est bien fermée.• Remédiez au problème de surcharge.• Assurez-vous que la pression d'air est adéquate.
Le cric soulève la charge, mais ne maintient pas la pression	<ul style="list-style-type: none">• Valve de purge qui n'est pas bien fermée• Défaillance du vérin hydraulique	<ul style="list-style-type: none">• Assurez-vous que la valve est bien fermée.• Cessez d'utiliser le cric et communiquez avec le soutien technique d'Omega.
Le cric ne descend pas après avoir enlevé la charge	<ul style="list-style-type: none">• Trop de liquide hydraulique dans le réservoir• Blocage des articulations• Niveau de liquide bas	<ul style="list-style-type: none">• Purgez le liquide pour le ramener au bon niveau.• Nettoyez les pièces mobiles et lubrifiez-les.• Assurez-vous que le niveau de liquide est adéquat.
Performance de levage médiocre	<ul style="list-style-type: none">• Niveau de liquide bas• Air emprisonné dans l'appareil	<ul style="list-style-type: none">• Assurez-vous que le niveau de liquide est adéquat.• Reportez-vous à la section « Purge de l'air emprisonné » à la page 13.
Le système de levage ne s'élève pas au maximum	<ul style="list-style-type: none">• Niveau de liquide bas	<ul style="list-style-type: none">• Assurez-vous que le niveau de liquide est adéquat.

PIÈCES DE RECHANGE

(reportez-vous aux pages 16 à 19)

Cette illustration ne sert qu'à montrer l'emplacement des différents composants du cric et leur position afin de faciliter la procédure d'assemblage. Ce ne sont pas toutes ses pièces qui peuvent être remplacées. Lorsque vous commandez des pièces, fournissez le numéro du modèle, le numéro de série et la description de la pièce. Pour connaître les prix actuels, appelez-nous ou écrivez-nous : SFA Companies 10939 N. Pomona Ave. Kansas City, MO 64153, É.-U., téléphone : 1 888 332-6419, télécopieur : 1 816 891-6599, courriel : sales@omegalift.com, site Web d'Omega : <http://www.omegalift.com>.

Illustration des pièces de rechange du modèle 22201

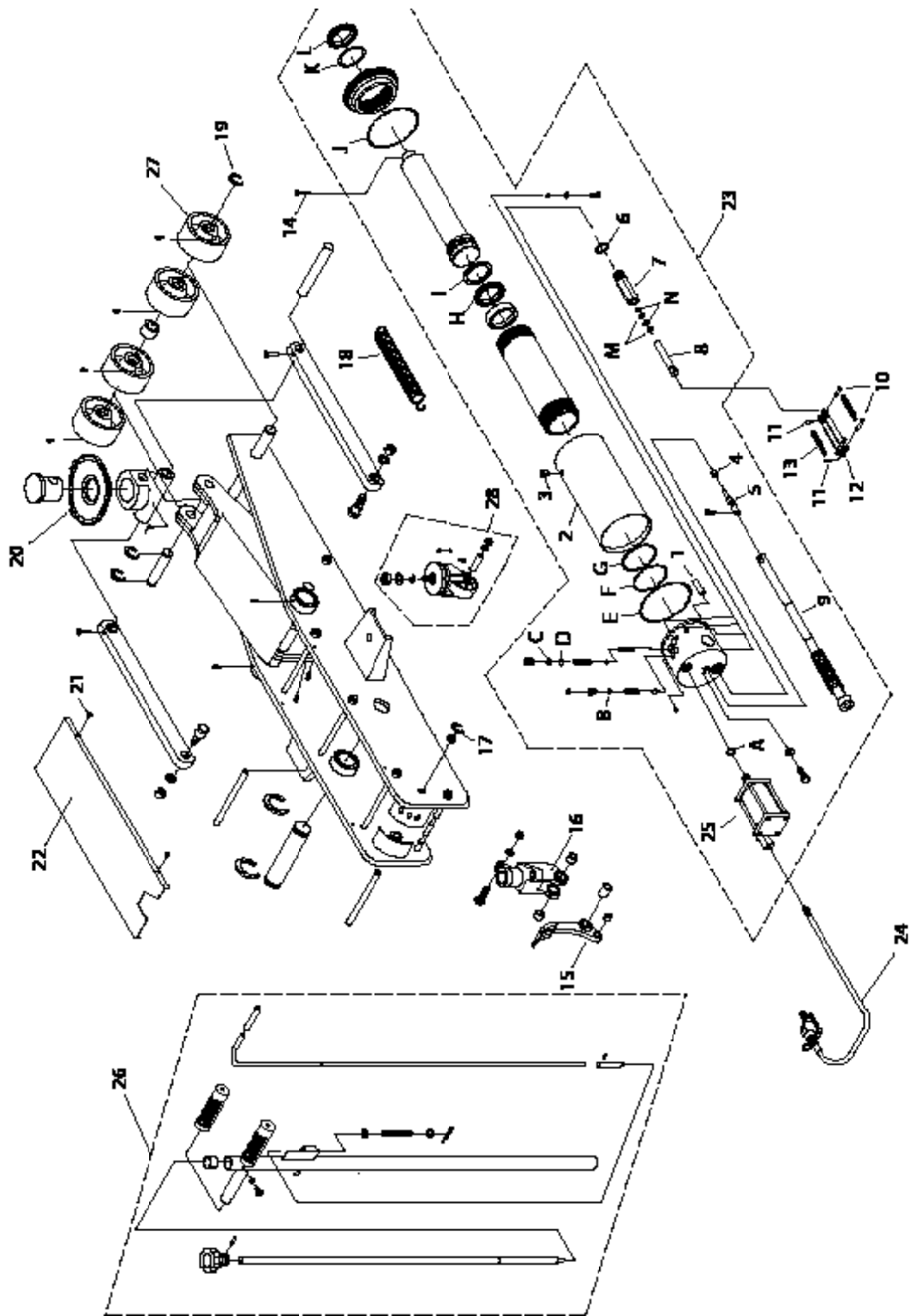


Figure 2 : Illustration des pièces de rechange du modèle 22201

Liste de pièces de rechange du modèle 22201

Article	N° de pièce	Description	Qté
1	532-8-0008-108	Filtre	1
2	G55-6-1803-109	Réservoir	1
3	G55-4-1900-105	Ass. de la vis de remplissage d'huile/de l'évent	1
4	551-7-0060-066	Joint pour huile	1
5	G13-6-1701-105	Valve de purge	1
6	515-3-0190-108	Joint d'étanchéité en cuivre	1
7	G55-6-1401-109	Vérin du levier	1
8	G55-6-1306-105	Piston du levier	1
9	G55-3-2600-102	Ass. du joint universel	1
10	G58-6-1358-105	Goupille	2
11	513-5-0018-012	Goupille de retenue	2
12	G58-3-1309-104	Liaison mécanique du piston	1
13	521-2-0220-077	Ressort de traction	2
14	653-1-0064-061	Goupille	1
15	421-6-9004-200	Pédale	1
16	G-55-6-1301-105	Articulation de la poignée	1
17	667-5-0180-009	Circlip	4
18	521-2-0370-104	Ressort de traction	2
19	677-5-0240-018	Anneau en E	2
20	G55-6-4201-106	Point d'appui	1
21	620-1-0050-304	Vis	4
22	G55-6-4120-106	Plaque de couverture	1
23	G55-1-1000-101	Vérin hydraulique	1
24	A19-4-2050-101	Vanne de commande de levage et tuyau d'air	1
25	G55-3-2000-108	Ass. de la pompe à air	1
26	G55-4-2300-106	Assemblage de la poignée	1
27	500-1-1500-309	Roue avant	4
28	G55-4-5000-200	Assemblage de galet	2
A à N, 4, 6	G55-3-9900-109	Trousse de réparation	-

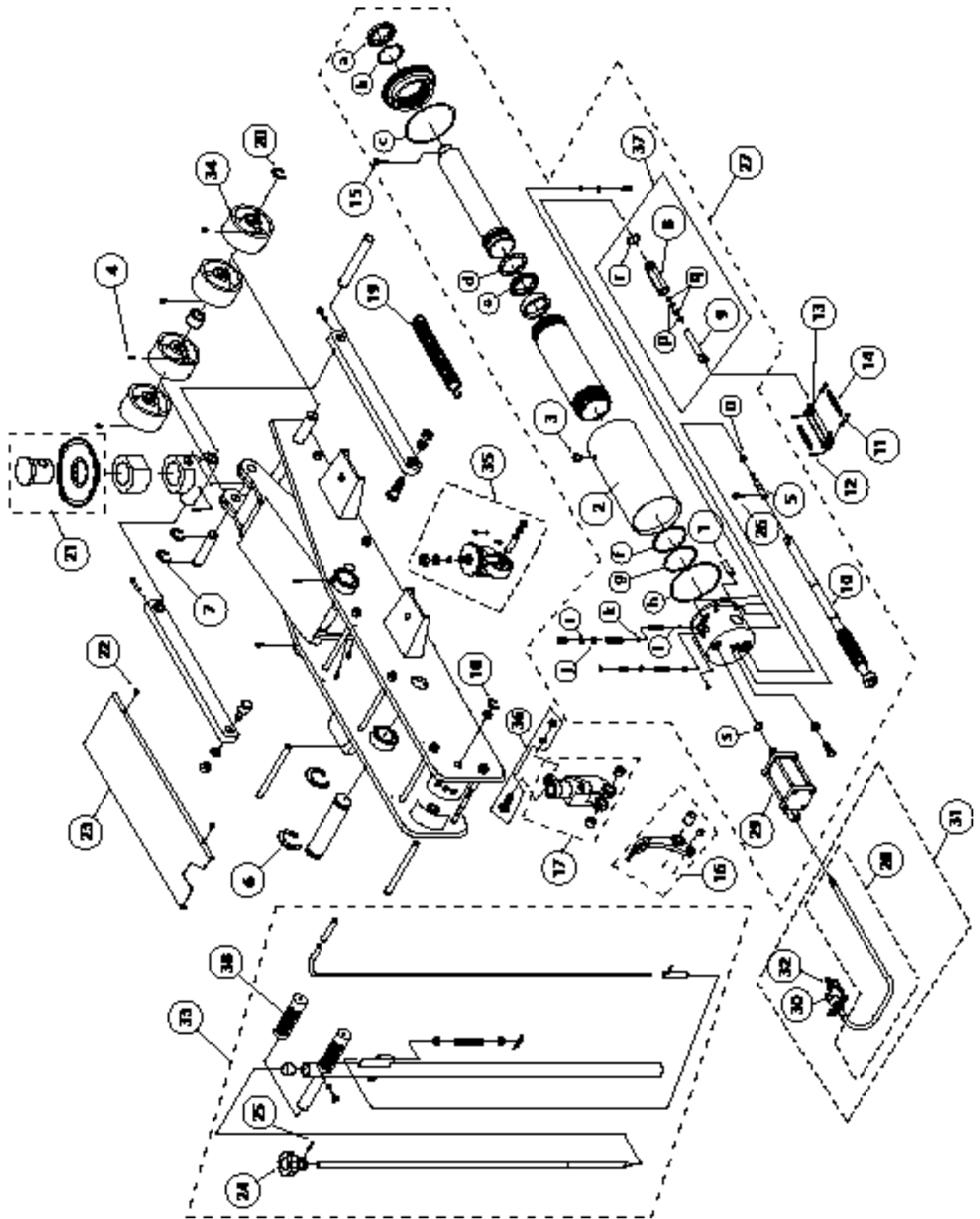


Figure 3 : Illustration des pièces de rechange du modèle 22203

Liste de pièces de rechange du modèle 22203

Article	N° de pièce	Description	Qté
1	532-8-0008-004	Filtre	1
2	G55-5-0803-103	Réservoir	1
3	G55-4-1900-105	Vis de remplissage d'huile/de l'évent	1
4	601-8-0006-001	Graisser	1
5	G13-6-1701-105	Valve de purge	13
6	667-5-0450-002	Circlip	1
7	667-5-0360-002	Circlip	2
8	G651-31002-000	Vérin du levier	2
9	G651-31001-000	Piston du levier	1
10	G55-3-2600-102	Ass. du joint universel	1
11	G58-6-1358-105	Goupille	1
12	1513-5-0018-012	Agrafe-ressort	2
13	G58-3-1309-104	Liaison mécanique du piston	2
14	521-2-0220-077	Ressort de rappel de la pédale	2
15	653-1-0064-061	Goupille	2
16	421-3-9004-101	Ass. de la pédale	1
17	G55-3-9911-104	Ass. du manchon de levier	1
18	667-5-0180-009	Circlip	1
19	521-2-0370-104	Ressort de rappel	2
20	677-5-0240-018	Anneau en E	2
21	G55-3-9904-107	Ass. du point d'appui	2
22	667-5-0180-009	Vis cruciforme	1
23	G55-5-4120-100	Plaque de couverture	4
24	421-6-2202-209	Bouton	1
25	601-4-0040-034	Goupille-ressort	1
26	649-1-0050-019	Vis	1
27	G55-1-1005-101	Boîtier Vérin hydraulique	1
28	A19-4-2050-101	Tuyau d'air	1
29	G55-3-2000-108	Moteur à air	1
30	A19-3-2050-105	Valve de commande de levage	1
31	A27-4-2050-105	Assemblage de tuyau	1
32	A07-6-2062-108	Raccord rapide mâle	1
33	A19-4-2050-101	Assemblage de la poignée	1
34	500-1-1500-309	Roue avant	4
35	G55-4-5000-200	Assemblage de galet	2
36	G55-3-9907-103	Assemblage de boulon	1
37	G55-3-9908-105	Assemblage de la pompe	1
38	506-9-0264-106	Prise de la poignée	2
A- S	G55-3-9900-109	**Ensemble de réparation pour le système hydraulique	1

(**) Il faut des habiletés, des connaissances et de l'équipement spéciaux pour remplacer ces pièces. Seulement un centre de réparation autorisé peut réparer ou remplacer ces pièces. Communiquez avec le soutien technique Omega pour avoir une liste des centres de réparation.

GARANTIE LIMITÉE DE 1 AN

Pendant une période d'un (1) an, à partir de la date d'achat, **SFA Companies** réparera ou remplacera, à sa discrétion, sans frais, tous ses produits qui, utilisés dans des conditions normales, sont défectueux à cause d'un défaut de matériel ou de fabrication. Cette garantie limitée est le seul recours du consommateur.

Pour bénéficier du service offert par la garantie, il faut retourner le produit couvert par celle-ci, port payé, à **SFA Companies** Warranty Service Department, 10939 N. Pomona Ave., Kansas City, MO 64153, États-Unis.

Sauf dans les cas où les limitations et les exclusions décrites dans ce paragraphe sont spécifiquement interdites par la loi : (1) LE SEUL RECOURS DU CONSOMMATEUR EST DE FAIRE RÉPARER OU REMPLACER LES PRODUITS DÉFECTUEUX COMME DÉCRIT CI-DESSUS; (2) **SFA COMPANIES** NE SERA PAS TENUE RESPONSABLE DES DOMMAGES CONSÉCUTIFS OU INDIRECTS OU DE PERTES QUELCONQUES; (3) TOUTE GARANTIE IMPLICITE, CE QUI INCLUT SANS LIMITATION LES GARANTIES IMPLICITES DE COMMERCIALITÉ ET D'ADAPTATION À UN USAGE PARTICULIER, SERA LIMITÉE À UN AN, À DÉFAUT DE QUOI LA RÉPARATION, LE REMPLACEMENT OU LE REMBOURSEMENT, SELON CETTE GARANTIE EXPRESSE LIMITÉE, CONSTITUE LE SEUL RECOURS DU CLIENT, ET REMPLACE TOUTE AUTRE GARANTIE, IMPLICITE OU EXPRESSE; (4) TOUTE MODIFICATION, ALTÉRATION, UTILISATION ABUSIVE OU NON AUTORISÉE OU DÉCORATION ORNEMENTALE ANNULE CETTE GARANTIE ET N'EST PAS COUVERTE PAR CELLE-CI.

Certaines provinces et certains États ne permettent pas de limiter la durée d'une garantie implicite et il est donc possible que la limitation décrite ci-dessus ne s'applique pas. Certaines provinces et certains États ne permettent pas d'exclure ou de limiter les dommages consécutifs ou indirects et il est donc possible que la limitation ou l'exclusion mentionnée ci-dessus ne s'applique pas. Cette garantie vous confère des droits particuliers et il est aussi possible que vous puissiez jouir d'autres droits qui varient d'une province à l'autre et d'un État à l'autre.

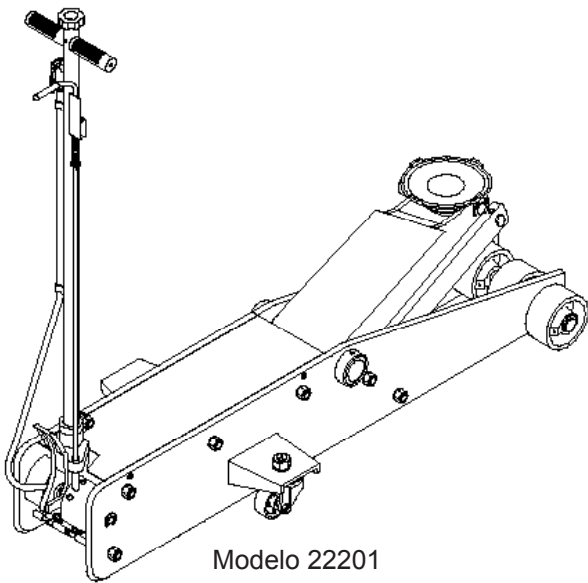


Manual de piezas e instrucciones de funcionamiento



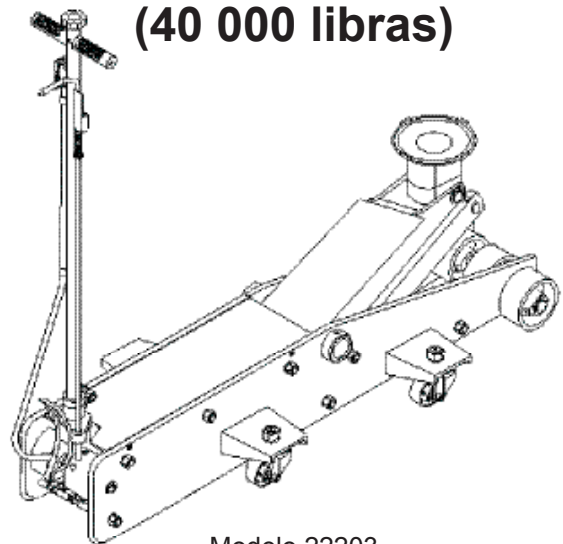
Gato hidráulico de servicio con chasis largo con aire

Modelo
22201



Modelo 22201

Capacidad
20 toneladas
(40 000 libras)



Modelo 22203

U.S. Patentes n.º 5,341,723 y n.º 5,946,912



Este es el símbolo de alerta de seguridad. Se usa para alertar sobre peligros potenciales de lesiones personales.

Obedezca todos los mensajes de seguridad que tengan este símbolo, para evitar posibles lesiones personales o la muerte.



ADVERTENCIA

Para evitar lesiones por opresión y otras lesiones:



NUNCA trabaje sobre, debajo o alrededor de una carga que solamente esté apoyada en un gato hidráulico. **SIEMPRE** use soportes para gato de capacidad nominal adecuada.

SFA Companies

<http://www.omegalift.com>

Lea este manual y respete todas las reglas de seguridad y las instrucciones de funcionamiento antes de usar este producto.

INFORMACIÓN GENERAL y DE SEGURIDAD

Conserve estas instrucciones. Para su seguridad, lea, comprenda y siga la información que viene con este gato antes de su uso. El propietario u operador de este equipo debe tener conocimientos sobre este gato y los procedimientos de funcionamiento seguro antes de intentar utilizarlo. El propietario y operador deben tener presente que el uso y la reparación de este producto podrían requerir habilidades y conocimientos especiales. Las instrucciones y la información de seguridad deben expresarse en la lengua materna del operador antes de recibir autorización para el uso de este gato. Si tiene dudas sobre el uso seguro y adecuado de este gato, proceda a sacarlo de servicio de inmediato.

Inspeccione el dispositivo antes de cada uso. No lo use si detecta que está roto, doblado, agrietado o tiene piezas dañadas. Debe sacar de servicio en forma inmediata todo gato que presente daños, de la naturaleza que fueren, o funcione mal. Si tiene la sospecha o la certeza de que el gato fue sometido a una carga de impacto (una carga arrojada repentina e inesperadamente sobre este), interrumpa su uso de inmediato hasta su revisión por parte de un centro de servicio de fábrica autorizado (comuníquese con el fabricante o el distribuidor para obtener una lista de los centros de servicio de fábrica autorizados). Se recomienda realizar una inspección anual a cargo de personal calificado. Las etiquetas y los manuales del operador están disponibles por parte del fabricante.

DESCRIPCIÓN DEL PRODUCTO

Los gatos hidráulicos de servicio accionados por aire/palanca Omega están diseñados para levantar, no soportar, un extremo del vehículo. Inmediatamente después del levantamiento, las cargas deben apoyarse en un par de soportes para gato de capacidad nominal adecuada. Las unidades accionadas por aire requieren al menos 7,8 CFM a 110~175 psi (7,5 a 12 bar). Se requiere una presión de aire mínima de 150 psi (10,3 bar) para aumentar la carga de capacidad nominal.

⚠️ ADVERTENCIA: NUNCA use un gato hidráulico como dispositivo independiente. Luego de levantar el vehículo, apóyelo inmediatamente en un par de soportes para gato de capacidad nominal adecuada.

ESPECIFICACIONES

Modelo	Capacidad	Tamaño del gato (L x P x A)	Altura mín.	Altura máx.	Diámetro del asiento
22201	20 toneladas (40 000 libras)	62-1/4" x 20-3/8" x 11-3/4" (158,12 x 51,75 x 29,85 cm)	7-1/2" (19,05 cm)	26" (66,04 cm)	6-1/8" (15,56 cm)
22203		74" x 20-3/8" x 14-3/8" (187,96 x 51,75 x 36,51 cm)	13" (33,02)	39-1/2" (100,33 cm)	

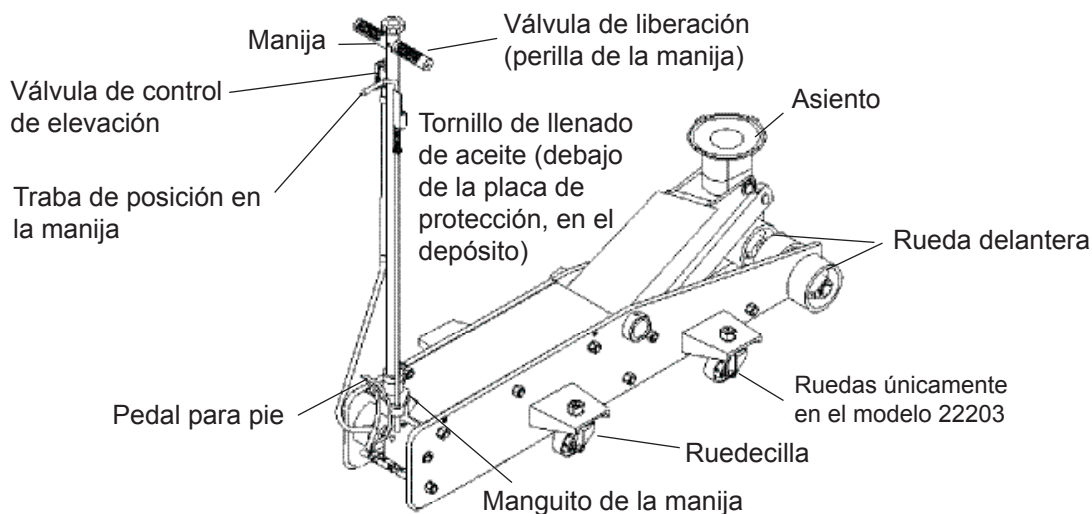


Figura 1: Gato de servicio con chasis largo con aire típico (se muestra el modelo 22203)

PREPARACIÓN

Ensamblaje (consulte las Figuras 1 y 2)

Siempre asegure la manija en el manguito de la manija con la arandela de bloqueo para perno y la tuerca proporcionadas. Apriete bien para evitar que la manija se salga accidentalmente mientras está en uso.

Antes del uso

1. Verifique que el producto y la aplicación sean compatibles; si tiene dudas, llame al Servicio técnico de Omega al (888) 332-6419.
2. Antes de usar este producto, lea todo el manual del operador; procure familiarizarse en forma completa con el producto y sus componentes, y reconocer los peligros asociados a su uso.
3. Para familiarizarse con el funcionamiento básico, gire la válvula de liberación (perilla de la manija):
 - a. A la *derecha* hasta que sienta una resistencia firme para continuar girando. Esta es la posición '**CERRADO**' de la válvula de liberación que se usa para **levantar** el asiento.
 - b. A la *izquierda*, pero no más de 1 giro completo con respecto a la posición de cerrado. Esta es la posición '**ABIERTO**' de la válvula de liberación utilizada para **bajar** el asiento.
4. Una vez que el asiento haya descendido por completo y la válvula de liberación esté cerrada, bombee la manija. Si el brazo elevador responde de inmediato, el gato está listo para ser usado. Si el gato no responde, siga las instrucciones de la sección **Purgado/descarga del aire atrapado** a continuación.
5. Vierta una cucharadita de lubricante para herramientas de aire de buena calidad en la entrada de suministro de aire de la válvula de control de elevación. Conecte al suministro de aire, luego oprima la válvula de control de elevación durante 3 segundos para distribuir el lubricante de manera uniforme.

Nota: Estos modelos están equipados con un acoplador de aire común de 1/4" (0,63 cm) NPT. Cuando instale un acoplador de aire que no sea el de su elección, asegúrese de usar cinta o compuesto aislante para la reparación de las conexiones. Se recomienda el uso de un secador de aire y engrasador en línea para asegurar el funcionamiento fiable y libre de problemas.

6. Asegúrese de que el gato se desplace libremente. Antes de poner el gato en servicio, suba y baje el asiento sin carga a lo largo de la distancia de elevación para asegurarse de que la bomba funcione sin dificultades. Reemplace las piezas y los conjuntos desgastados o dañados solo con piezas de repuesto autorizadas.

Purgado/descarga del aire atrapado

Coloque la válvula de liberación en la posición ABIERTO (3b.) y baje el asiento en forma completa; luego, ubique y retire el tapón/tornillo de llenado de aceite. Bombee de 6 a 8 recorridos completos. Esto ayudará a liberar el aire presurizado que pudiera estar atrapado dentro del depósito. Vuelva a colocar el tapón/tornillo de llenado de aceite.

⚠ ADVERTENCIA

- **Estudie, comprenda y siga** todos los materiales impresos que vienen con este producto antes de su uso.
- **No** exceda la capacidad establecida.
- Utilícelo únicamente sobre superficies duras y uniformes.
- **Es solo un dispositivo para levantar cargas. Inmediatamente** después de levantar la carga, apóyela con un **par** de soportes para gato de capacidad nominal adecuada.
- **Solo** deben utilizarse accesorios y/o adaptadores suministrados por el fabricante.
- Use solamente las áreas del vehículo especificadas por el fabricante del vehículo.
- Nunca use cables ni abrazaderas ni desactive de otro modo la válvula de control de elevación para que funcione de otra manera que no sea con la mano del operador.
- No mueva ni deslice el vehículo mientras esté en el gato.
- No deben hacerse modificaciones a este producto.
- Si no se respetan estas indicaciones, podrían producirse lesiones personales o daños a la propiedad.

⚠ ADVERTENCIA




Para evitar **lesiones por opresión y otras lesiones:**

- **Nunca** trabaje sobre, debajo o alrededor de una carga que solamente esté apoyada en un gato hidráulico.
- **Siempre** use soportes para gato de capacidad nominal adecuada.
- Bloquee cada rueda sin elevar en ambas direcciones.
- **No** utilice este dispositivo para levantar, nivelar, bajar, apoyar ni mover una casa, casa rodante, remolque de viaje, camioneta "camper" u otra estructura de construcción.
- **Esté atento y sobrio** cuando utilice este producto. No use el equipo si está bajo los efectos de drogas o bebidas alcohólicas.


FUNCIONAMIENTO

Elevación


 Solo deben utilizarse accesorios y/o adaptadores suministrados por el fabricante. Levante solamente el área del vehículo especificada por el fabricante del vehículo.

Nota: El gato está equipado con traba de posición en la manija. Para ajustar la manija, libere el dispositivo de cierre mientras tira de la palanca hacia arriba y, luego, hacia atrás hasta que la palanca quede en posición.

1. Siga las pautas recomendadas por el fabricante del vehículo para la elevación. Accione el freno de emergencia y coloque calzos en todas las ruedas sin elevar, en ambas direcciones, para evitar cualquier movimiento accidental del vehículo.
2. Ubique y cierre la válvula de liberación; para hacerlo, gire la perilla de la válvula de liberación a la derecha hasta que sienta una resistencia firme.
3. Consulte el manual del propietario del fabricante del vehículo para ubicar los puntos de elevación en el vehículo. Centre el asiento del gato debajo del punto de elevación.
4. Verifique el punto de elevación, luego, bombee la manija o el pedal para pie hasta que toque el punto de elevación. Para elevar, bombee la manija u oprima la válvula de control de elevación hasta que la carga alcance la altura deseada. **Nunca** use el pedal para pie para elevar la carga.
5. Transfiera la carga **inmediatamente** a los soportes para gato de capacidad nominal adecuada.

 **NUNCA** use un gato hidráulico como dispositivo independiente. **SIEMPRE** transfiera la carga **INMEDIATAMENTE** a un par de soportes para gato de capacidad nominal adecuada. Use un par de soportes para gato para cada vehículo. La capacidad nominal es por par solamente. No exceda la capacidad establecida.

Descenso

 Asegúrese de despejar el área de herramientas y operarios antes de bajar la carga. **Abra la válvula de liberación lentamente.** Cuanto más gire la perilla de la válvula hacia la izquierda, más rápido descenderá la carga. **Controle la velocidad a la que baja la carga en todo momento.**

1. Eleve la carga a una altura que permita despejar los soportes para gato.
2. Retire cuidadosamente los soportes para gato. (**siempre** se usan en pares).
3. **Gire lentamente** la perilla de la válvula de liberación a la izquierda, pero no más de 1/2 giro completo. Si la carga no desciende:
 - a. Use otro gato para elevar el vehículo a una altura que permita volver a instalar los soportes para gato.
 - b. Retire el gato dañado y, a continuación, los soportes para gato.
 - c. Use el gato que funciona para bajar el vehículo.
4. Luego de retirar el gato de la parte de abajo del vehículo, baje en forma completa el asiento para reducir la exposición al óxido y la contaminación.

MANTENIMIENTO

Importante: Use **SOLO** aceite para gatos hidráulicos de buena calidad. Evite mezclar diferentes tipos de líquidos y **nunca** use líquido de frenos, aceite de turbinas, líquido de transmisión, aceite de motor ni glicerina. El uso de un líquido inadecuado puede provocar fallas en el gato y posibles pérdidas de carga repentinas e inmediatas. Le recomendamos aceite para gatos hidráulicos de alta calidad.

Agregado de aceite

1. Una vez que el asiento haya descendido por completo, coloque el gato en posición vertical y a nivel. Ubique y retire el tornillo de ventilación de llenado de aceite.
2. Llene con aceite hasta ~3/16" (0,48 cm) por encima del cilindro interno, según se observa desde el orificio de llenado de aceite. Vuelva a colocar el tornillo de ventilación de llenado de aceite.

Cambio de aceite

Para lograr el mejor rendimiento, reemplace completamente el suministro de líquido por lo menos una vez al año.

1. Una vez que el asiento haya descendido por completo, retire el tornillo de ventilación de llenado de aceite.
2. Coloque al gato de lado y descargue el líquido en un recipiente adecuado.

Nota: Deseche el líquido hidráulico conforme a las reglamentaciones locales.

3. Llene con aceite hasta ~3/16" (0,48 cm) por encima del cilindro interno, según se observa desde el orificio de llenado de aceite. Vuelva a colocar el tornillo de ventilación de llenado de aceite.

Lubricación

La lubricación periódica con un aceite liviano en los puntos de giro, los ejes y las bisagras ayudará a evitar la corrosión y garantizará que los conjuntos de las ruedas, las ruedecillas y la bomba se muevan libremente. Se recomienda el uso de un secador de aire y engrasador en línea para asegurar el funcionamiento libre de problemas.

Limpieza

Verifique periódicamente el pistón y el ariete de la bomba en busca de signos de oxidación o corrosión. Límpielos con un paño con aceite, según sea necesario.

Nota: nunca utilice lijas o materiales abrasivos en estas superficies.

Almacenamiento

Cuando no lo utilice, guarde el gato con el asiento completamente bajo.

LOCALIZACIÓN Y SOLUCIÓN DE PROBLEMAS

Síntoma	Causas posibles	Medidas correctivas
El gato no levanta la carga.	<ul style="list-style-type: none">• La válvula de liberación no está herméticamente cerrada.• Hay un estado de sobrecarga.• Presión de aire inadecuada.	<ul style="list-style-type: none">• Asegúrese de que la válvula de liberación esté herméticamente cerrada.• Solucione el estado de sobrecarga.• Asegúrese de que la presión de aire sea adecuada.
El gato se eleva, pero no mantiene la presión.	<ul style="list-style-type: none">• La válvula de liberación no está herméticamente cerrada.• La unidad hidráulica no funciona correctamente.	<ul style="list-style-type: none">• Asegúrese de que la válvula de liberación esté herméticamente cerrada.• Interrumpa el uso y comuníquese con el servicio técnico de Omega.
El gato no baja después de su descarga.	<ul style="list-style-type: none">• El depósito está lleno en exceso.• Los enlaces están atascados.• El nivel de líquido está bajo.	<ul style="list-style-type: none">• Descargue el líquido hasta el nivel adecuado.• Limpie y lubrique las piezas móviles.• Asegúrese de que el nivel de líquido sea el adecuado.
La capacidad de elevación es deficiente.	<ul style="list-style-type: none">• El nivel de líquido está bajo.• Hay aire atrapado en el sistema.	<ul style="list-style-type: none">• Asegúrese de que el nivel de líquido sea el adecuado.• Consulte la página 23, Purgado/descarga del aire atrapado.
La elevadora no se eleva al máximo de su capacidad.	<ul style="list-style-type: none">• El nivel de líquido está bajo.	<ul style="list-style-type: none">• Asegúrese de que el nivel de líquido sea el adecuado.

PIEZAS DE REPUESTO

(Consulte las páginas desde la 26 hasta la 29)

No todos los componentes del gato tienen reemplazo, pero se ilustran a modo de referencia práctica de la ubicación y la posición que ocupan en la secuencia del conjunto. Cuando realice el pedido de piezas, indique el número de modelo, el número de serie y la descripción de la pieza. Para obtener el precio vigente, comuníquese a: SFA Companies, 10939 N. Pomona Ave. Kansas City, MO 64153, EE. UU., Tel.: (888) 332-6419; Fax: (816) 891-6599; Correo electrónico: sales@omegalift.com; Sitio web de Omega: <http://www.omegalift.com>

Ilustración de piezas de repuesto para el modelo 22201

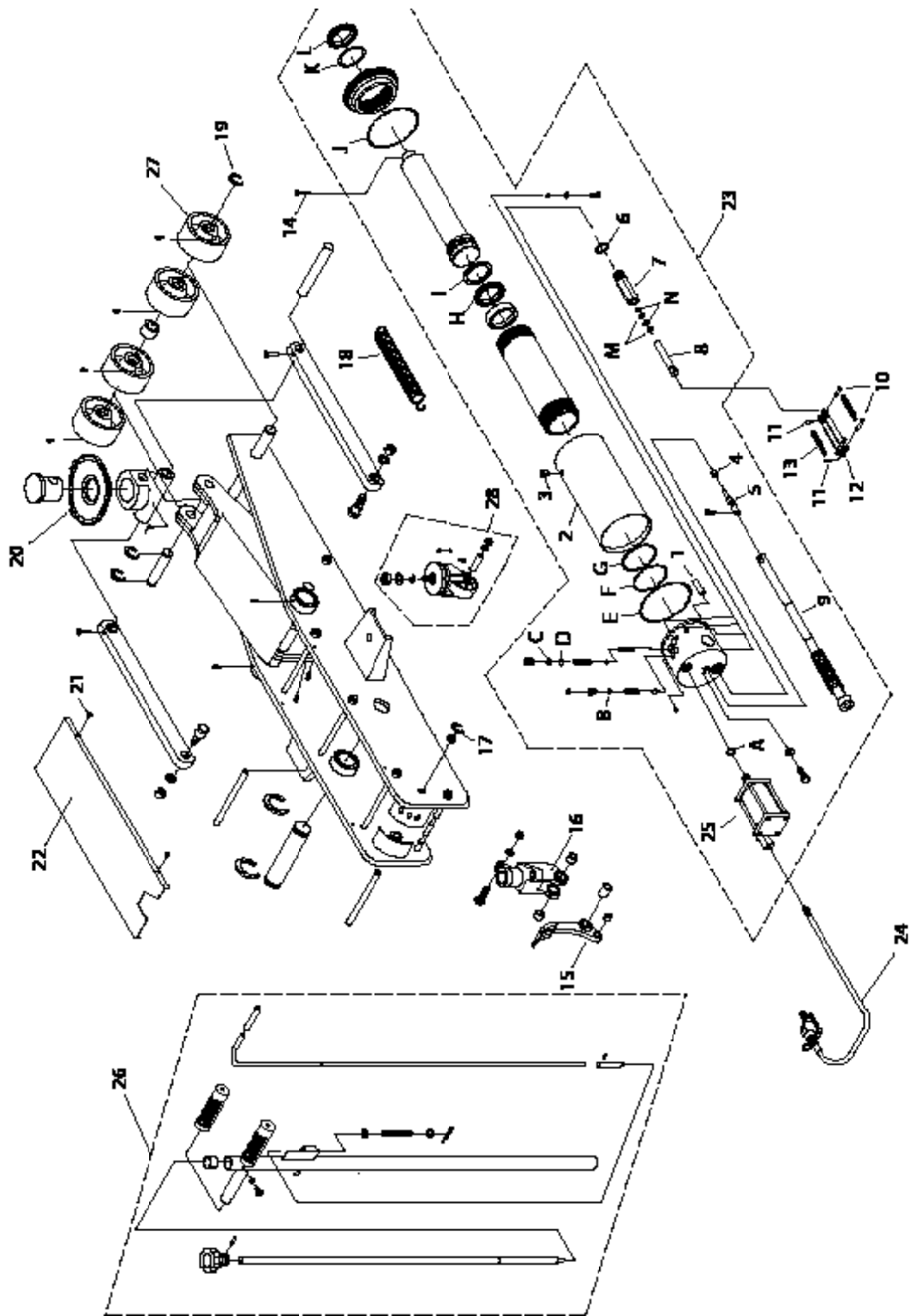


Figura 2: Ilustración de piezas de repuesto para el modelo 22201

Lista de piezas de repuesto para el modelo 22201

Elemento	N.º de pieza	Descripción	Cant.
1	532-8-0008-108	Filtro	1
2	G55-6-1803-109	Depósito	1
3	G55-4-1900-105	Conj. del tornillo de ventilación de llenado de aceite.	1
4	551-7-0060-066	Sello de aceite	1
5	G13-6-1701-105	Válvula de liberación	1
6	515-3-0190-108	Junta de cobre	1
7	G55-6-1401-109	Cilindro de la bomba	1
8	G55-6-1306-105	Pistón de la bomba	1
9	G55-3-2600-102	Conj. de la unión en U.	1
10	G58-6-1358-105	Pasador	2
11	513-5-0018-012	Pasador de retención	2
12	G58-3-1309-104	Enlace del pistón	1
13	521-2-0220-077	Resorte de extensión	2
14	653-1-0064-061	Pasador	1
15	421-6-9004-200	Pedal para pie	1
16	G-55-6-1301-105	Horquilla de la manija	1
17	667-5-0180-009	Anillo a presión	4
18	521-2-0370-104	Resorte de extensión	2
19	677-5-0240-018	Sujetador en "E"	2
20	G55-6-4201-106	Asiento	1
21	620-1-0050-304	Tornillo	4
22	G55-6-4120-106	Cubierta	1
23	G55-1-1000-101	Unidad hidráulica	1
24	A19-4-2050-101	Válvula de control de aire y manguera	1
25	G55-3-2000-108	Conj. de la bomba de aire.	1
26	G55-4-2300-106	Conjunto de manija	1
27	500-1-1500-309	Rueda delantera	4
28	G55-4-5000-200	Conj. de la ruedecilla	2
A-N, 4, 6	G55-3-9900-109	Kit de reparación	-

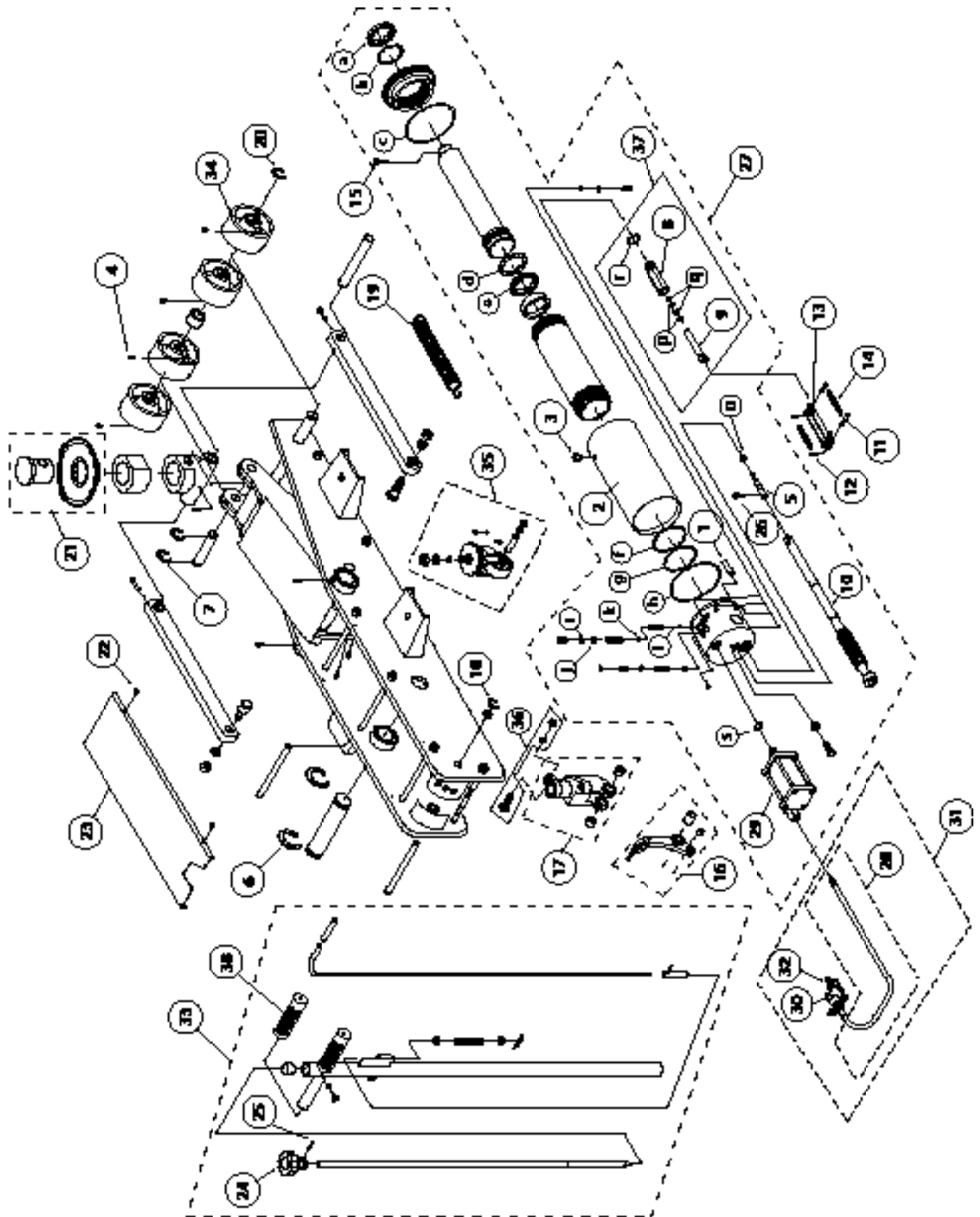


Figura 3: Ilustración de piezas de repuesto para el modelo 22203

Lista de piezas de repuesto para el modelo 22203

Elemento	N.º de pieza	Descripción	Cant.
1	532-8-0008-004	Filtro	1
2	G55-5-0803-103	Depósito	1
3	G55-4-1900-105	Tornillo de llenado ventilado	1
4	601-8-0006-001	Niple de engrase	1
5	G13-6-1701-105	Válvula de liberación	13
6	667-5-0450-002	Sujetador en "C"	1
7	667-5-0360-002	Sujetador en "C"	2
8	G651-31002-000	Cilindro de la bomba	2
9	G651-31001-000	Pistón de la bomba	1
10	G55-3-2600-102	Conjunto de junta universal	1
11	G58-6-1358-105	Pasador	1
12	1513-5-0018-012	Sujetador de resorte	2
13	G58-3-1309-104	Enlace del pistón	2
14	521-2-0220-077	Resorte de retorno, pedal	2
15	653-1-0064-061	Pasador	2
16	421-3-9004-101	Conjunto de pedal para pie	1
17	G55-3-9911-104	Conjunto del manguito de la manija	1
18	667-5-0180-009	Anillo a presión	1
19	521-2-0370-104	Resorte de retorno	2
20	677-5-0240-018	Sujetador E	2
21	G55-3-9904-107	Conjunto del asiento	2
22	667-5-0180-009	Tornillo, Phillips	1
23	G55-5-4120-100	Placa de protección	4
24	421-6-2202-209	Perilla	1
25	601-4-0040-034	Pasador del resorte	1
26	649-1-0050-019	Tornillo	1
27	G55-1-1005-101	Cartucho Unidad eléctrica	1
28	A19-4-2050-101	Manguera de aire	1
29	G55-3-2000-108	Motor neumático	1
30	A19-3-2050-105	Válvula de control de elevación	1
31	A27-4-2050-105	Conjunto de la manguera	1
32	A07-6-2062-108	Acoplador rápido, macho	1
33	A19-4-2050-101	Conjunto de la manija	1
34	500-1-1500-309	Rueda delantera	4
35	G55-4-5000-200	Conjunto de la ruedecilla	2
36	G55-3-9907-103	Conjunto del perno	1
37	G55-3-9908-105	Conjunto de la bomba	1
38	506-9-0264-106	Agarre de la manija	2
A- S	G55-3-9900-109	**Piezas incluidas para unidad hidráulica	1

(**) El reemplazo requiere habilidades, conocimiento y equipo especiales. Solo un centro de servicio autorizado puede realizar la reparación o el reemplazo de estos elementos. Comuníquese con el servicio técnico de Omega para conseguir una lista de centros de servicio.

GARANTÍA LIMITADA DE UN AÑO

Por el período de un (1) año desde la fecha de compra, **SFA Companies** reparará o reemplazará, a su discreción, sin costo alguno, cualquier producto que presente fallas debido a defectos de materiales o mano de obra bajo condiciones normales de uso. Esta garantía limitada es un recurso exclusivo del consumidor.

El cumplimiento de toda obligación en virtud de esta garantía puede obtenerse con el envío del producto en garantía, con flete abonado en origen, a **SFA Companies** Warranty Service Department, 10939 N. Pomona Ave., Kansas City, MO 64153.

Salvo que tales limitaciones y exclusiones estén específicamente prohibidas por las leyes vigentes, (1) EL ÚNICO Y EXCLUSIVO RECURSO DEL CONSUMIDOR SERÁ LA REPARACIÓN O EL REEMPLAZO DE LOS PRODUCTOS DEFECTUOSOS, COMO SE DETALLA ARRIBA. (2) **SFA COMPANIES** NO SERÁ RESPONSABLE, EN NINGÚN CASO, POR DAÑOS O PÉRDIDAS EMERGENTES O INCIDENTALES. (3) TODA GARANTÍA IMPLÍCITA, LO QUE INCLUYE, ENTRE OTRAS, LAS GARANTÍAS IMPLÍCITAS DE COMERCIALIZACIÓN Y APTITUD PARA FINES ESPECÍFICOS, ESTARÁ LIMITADA A UN AÑO; DE OTRO MODO, LA REPARACIÓN, EL REEMPLAZO O LA DEVOLUCIÓN DE DINERO CONFORME A ESTA GARANTÍA LIMITADA EXPRESA SERÁ EL EXCLUSIVO RECURSO DEL CONSUMIDOR, Y SE OFRECE EN LUGAR DE CUALQUIER OTRA GARANTÍA, EXPRESA O IMPLÍCITA. (4) CUALQUIER MODIFICACIÓN, ALTERACIÓN, USO INDEBIDO, SERVICIO NO AUTORIZADO O DISEÑO ORNAMENTAL ANULARÁ ESTA GARANTÍA Y NO ESTARÁ CUBIERTO POR ESTA GARANTÍA.

Algunos estados no permiten la limitación de la duración de las garantías implícitas, por lo que las limitaciones anteriores pueden no aplicarse en su caso. Algunos estados no permiten excluir o limitar los daños emergentes o incidentales, por lo tanto esta limitación o exclusión puede no ser aplicable en su caso. Esta garantía le otorga derechos legales específicos. Usted puede tener además otros derechos que varían de un estado a otro.



SFA Companies
10939 N. Pomona Ave. Kansas City, MO 64153
(888) 332-6419
sales@omegalift.com

Note Page/Notes/Notas

Contact:

SFA Companies

10939 N. Pomona Ave. Kansas City, MO 64153, U.S.A.

Tel: (888) 332-6419 Fax: (816) 891-6599

E-Mail: sales@omegalift.com

Omega Website: <http://www.omegalift.com>



Note Page/Notes/Notas

Contact:
SFA Companies
10939 N. Pomona Ave. Kansas City, MO 64153, U.S.A.
Tel: (888) 332-6419 Fax: (816) 891-6599
E-Mail: sales@omegalift.com
Omega Website: <http://www.omegalift.com>

