

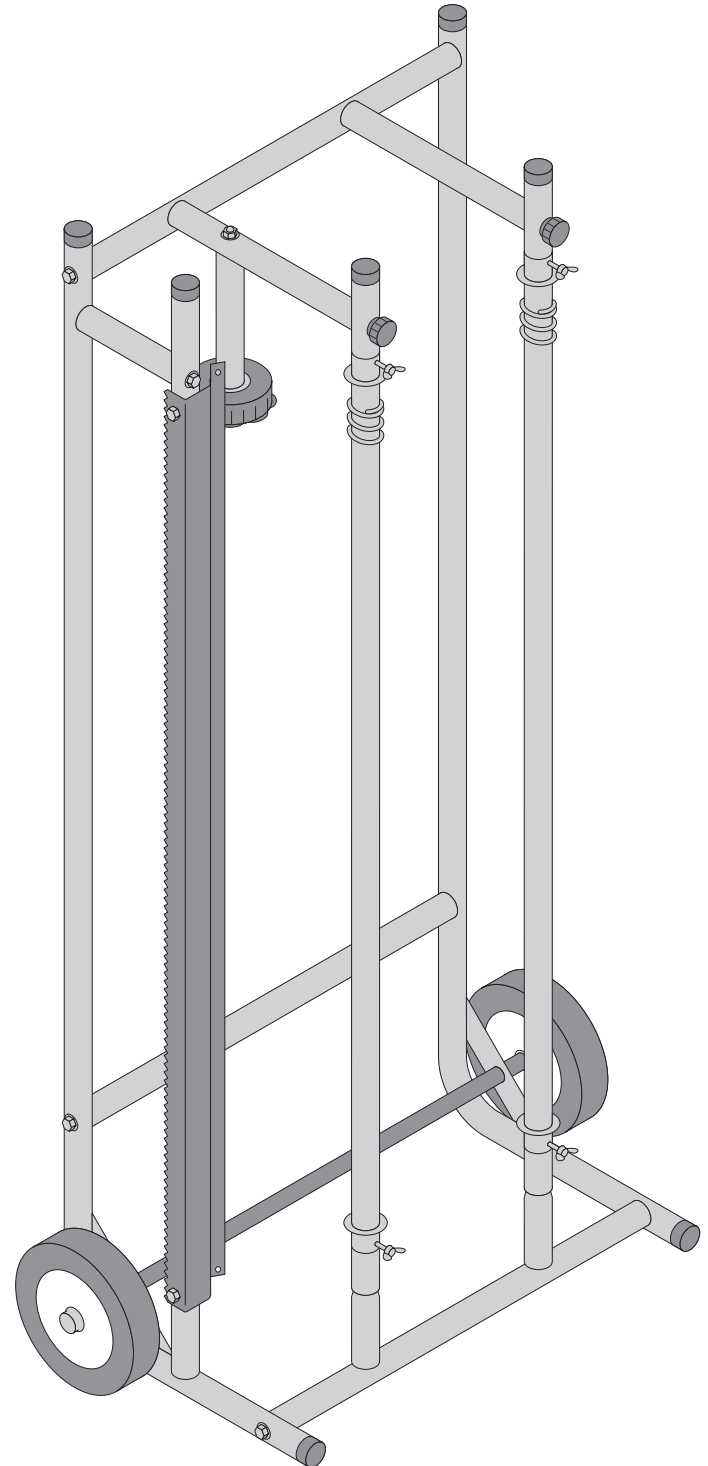


**PARTS LIST**

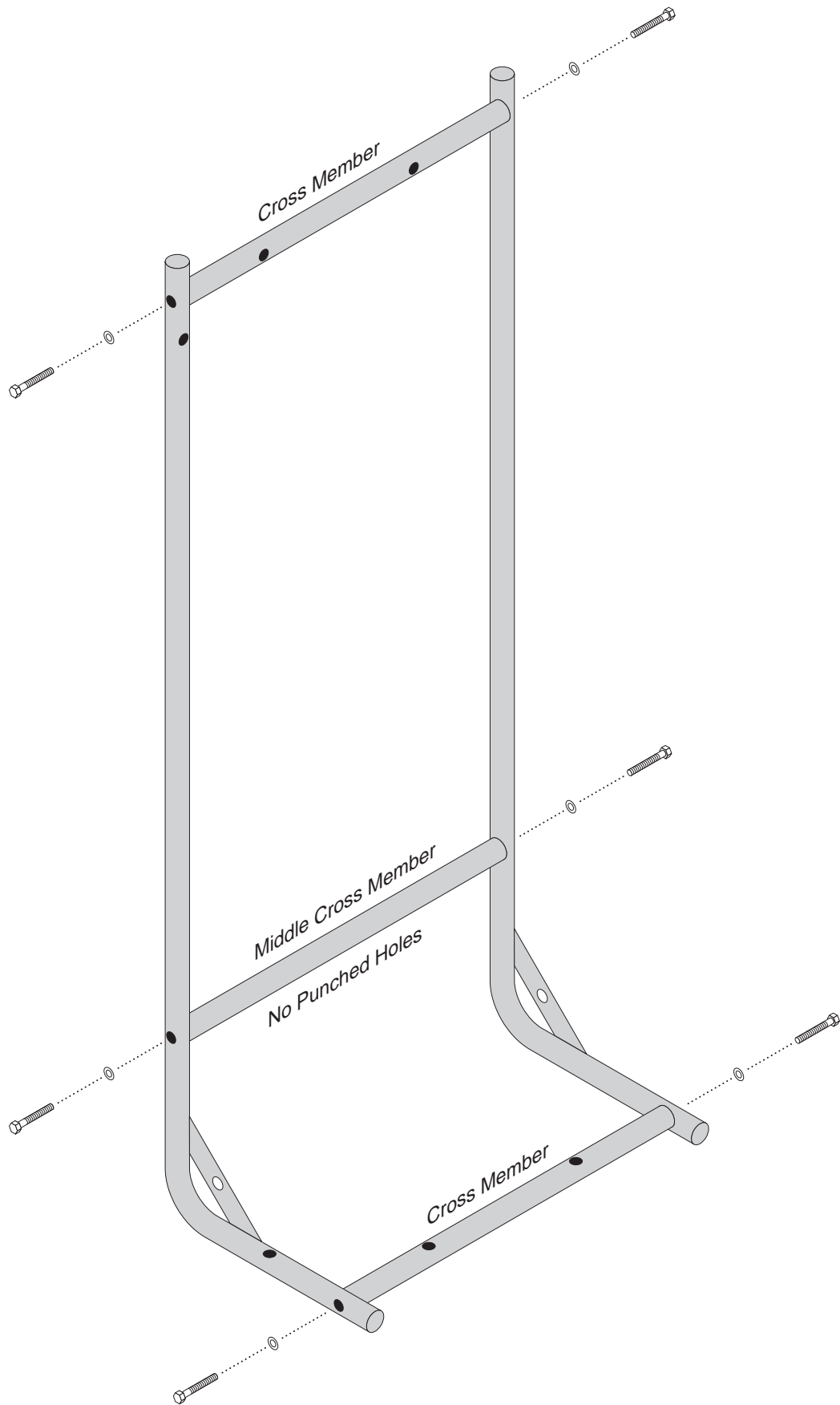
**MASKER: Vertical**

**Part #78012**

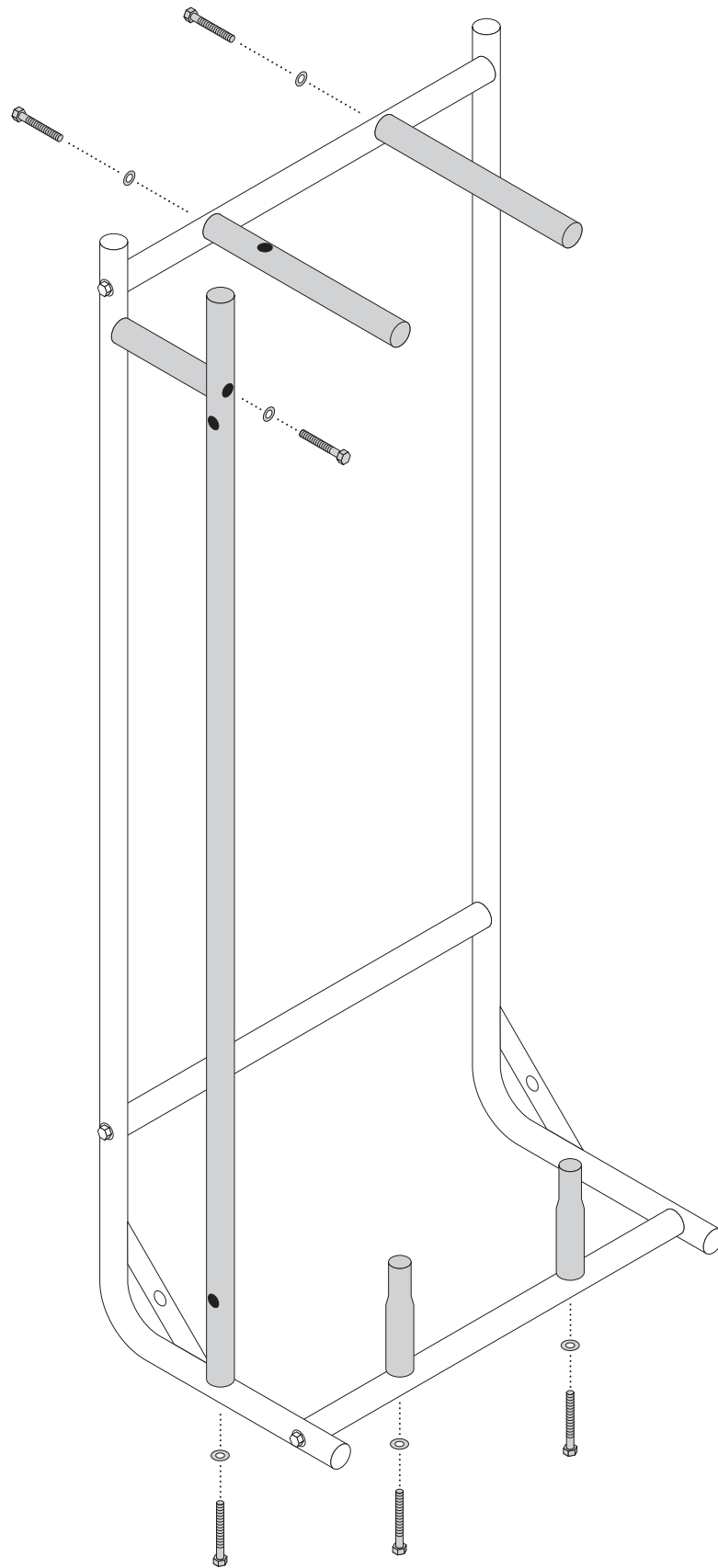
PART#	DESCRIPTION	QUANTITY
10676	1/4"-20 X 1 1/2" Bolt	2
10188	1/2" Flat Washer	4
10201	1/4"-20 Hex Nut	2
10675	1/4"-20 X 2" Bolt	13
10218	1/4" Flat Washer	19
10178	1/4"-20 Lock Nut	1
12722	1/4" X 1 1/4" Fender Washer	1
10204	1/4"-20 Acorn Nut	1
10678	1/4"-20 X 2" Knob	2
11675	Wing Nut	1
10689	S - Hook	2
10694	Extension Spring	1
10680	Paper Bar Collar	4
10677	Paper Bar Washer	4
10222	Paper Bar Spring	2
10672	Tape Spool	1
10751	Tape Spool Rod	1
10752	Tape Spool Rod Cover	1
40225	6" Wheel	2
11190	Axle	1
10705	Hub Cap	2
10688	Tubing Cap	7
11191	Leg - Left	1
11192	Leg - Right	1
11185	Paper Bar Retainer Post	2
11194	Paper Bar Cross Member	1
12719	Paper Bar Retainer Post (Lower)	2
10696	Cutter Bar	1
11187	Cutter Bar Retainer Post	1
11193	Cutter Bar Cross Member	1
11196	Middle Cross Member	1
11186	Cross Member	2



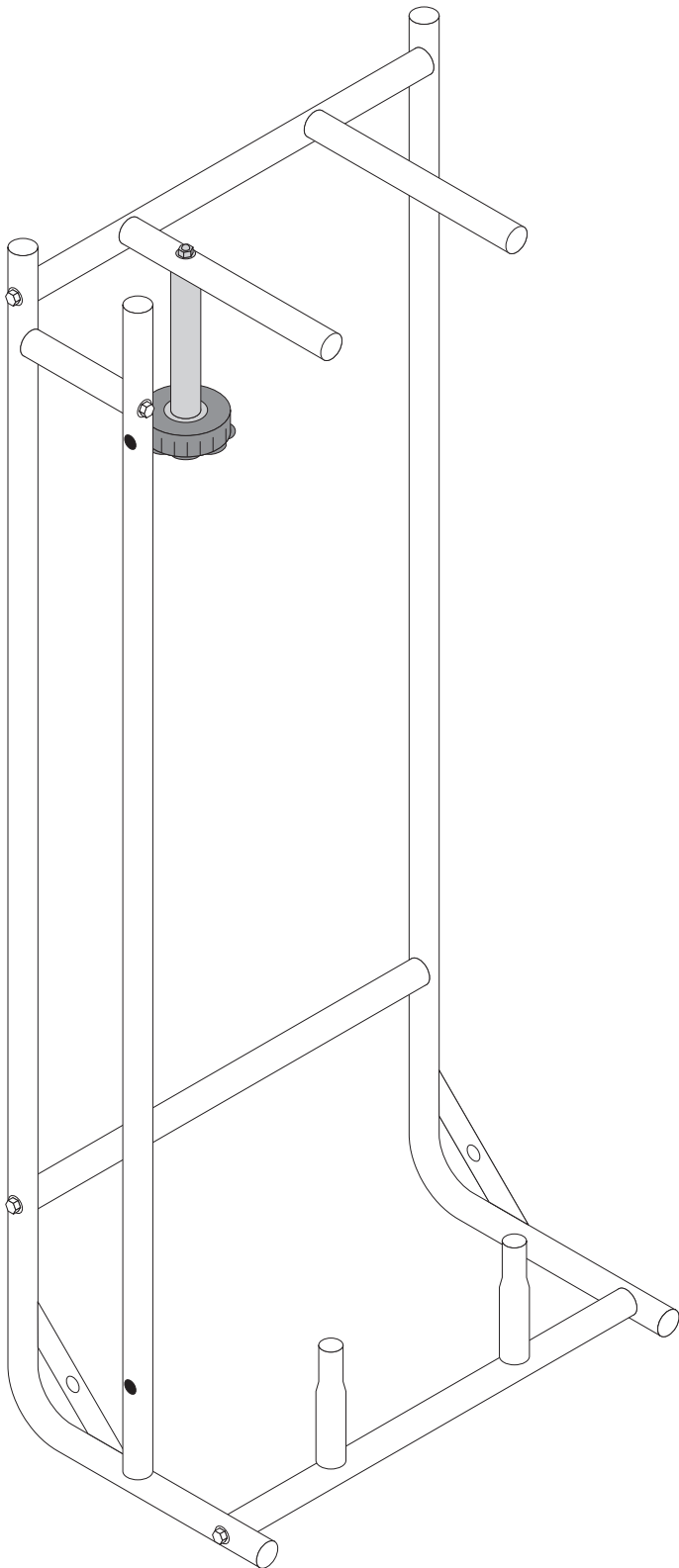
STEP 1. **Assemble the main frame tubing** using 1/4"-20 X 2" bolts and 1/4" washers either while vertical, or lying on the floor. **Note the locations of all punched holes** in all tubing to ensure proper assembly.



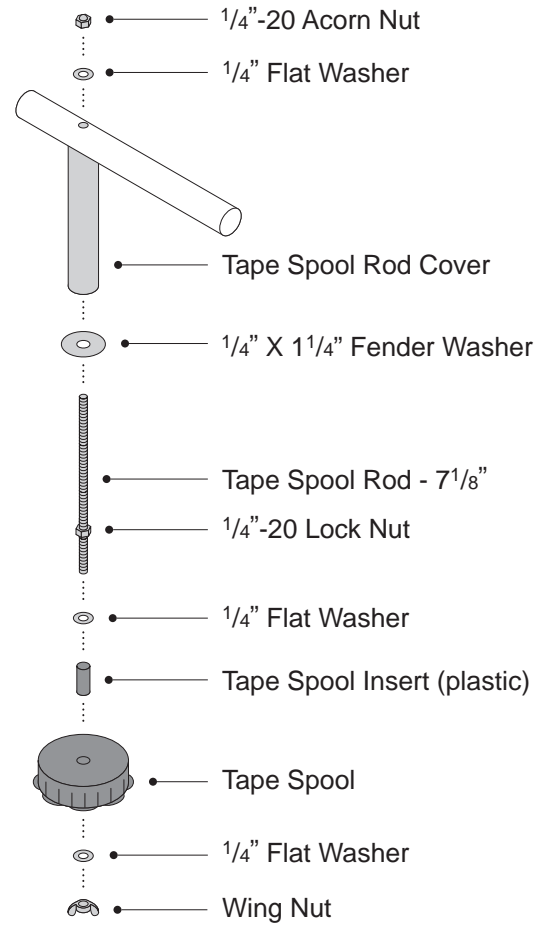
STEP 2. **Add the additional vertical and horizontal tubing** using 1/4"-20 X 2" bolts and 1/4" washers. **Note the locations of all punched holes** in tubing to ensure proper location.



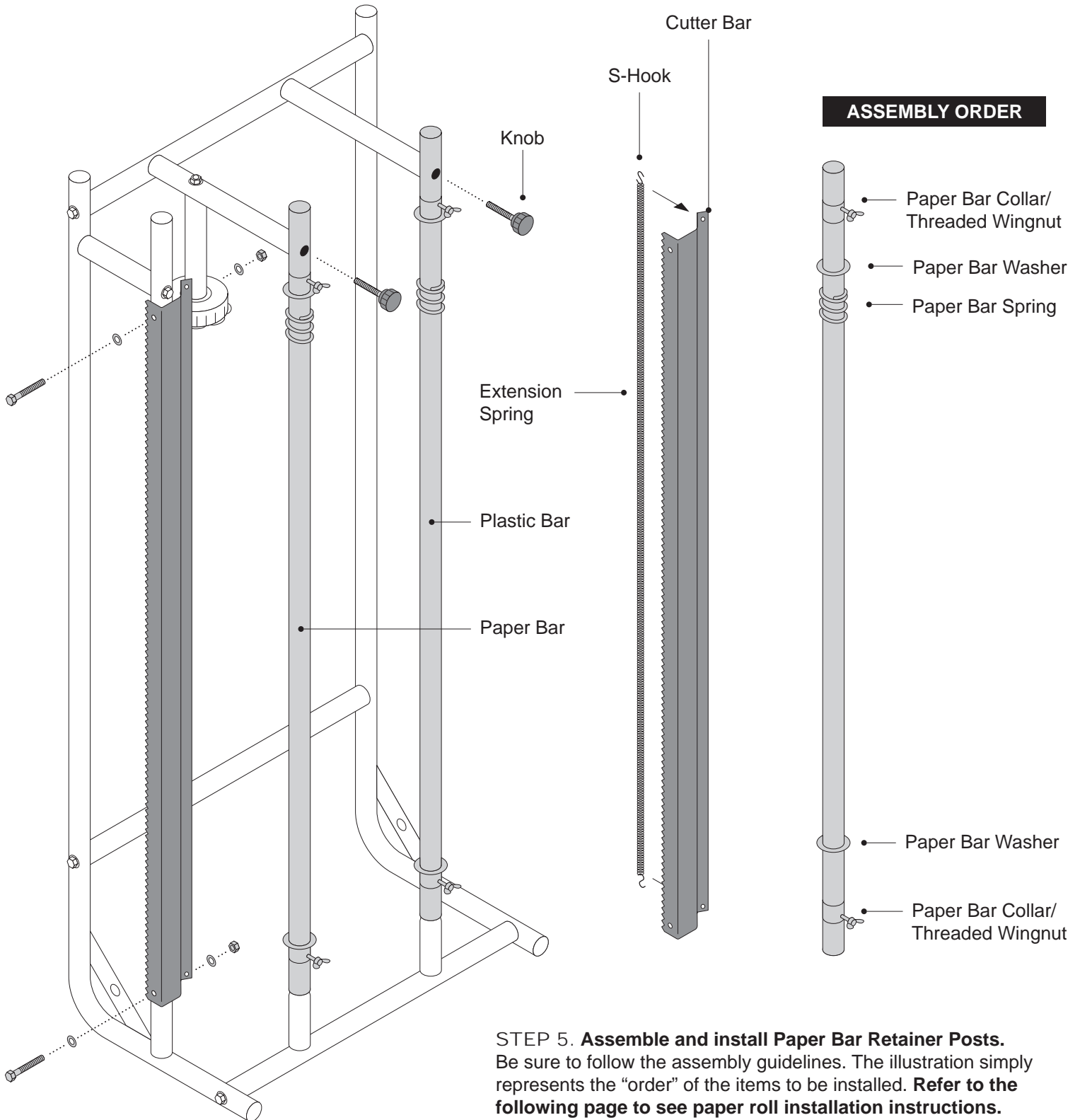
STEP 3. Assemble and install the tape spool assembly.



**TAPE SPOOL ASSEMBLY**



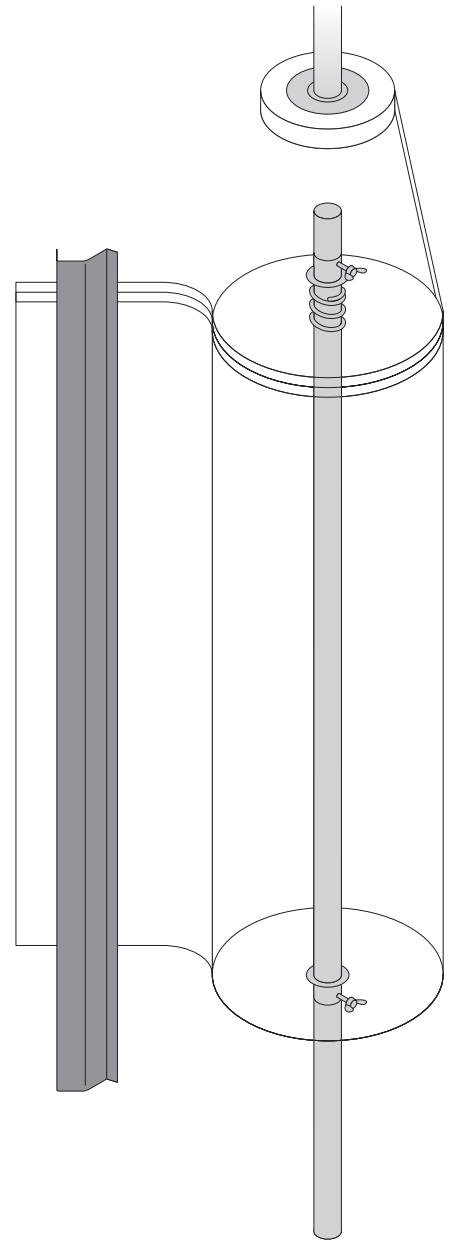
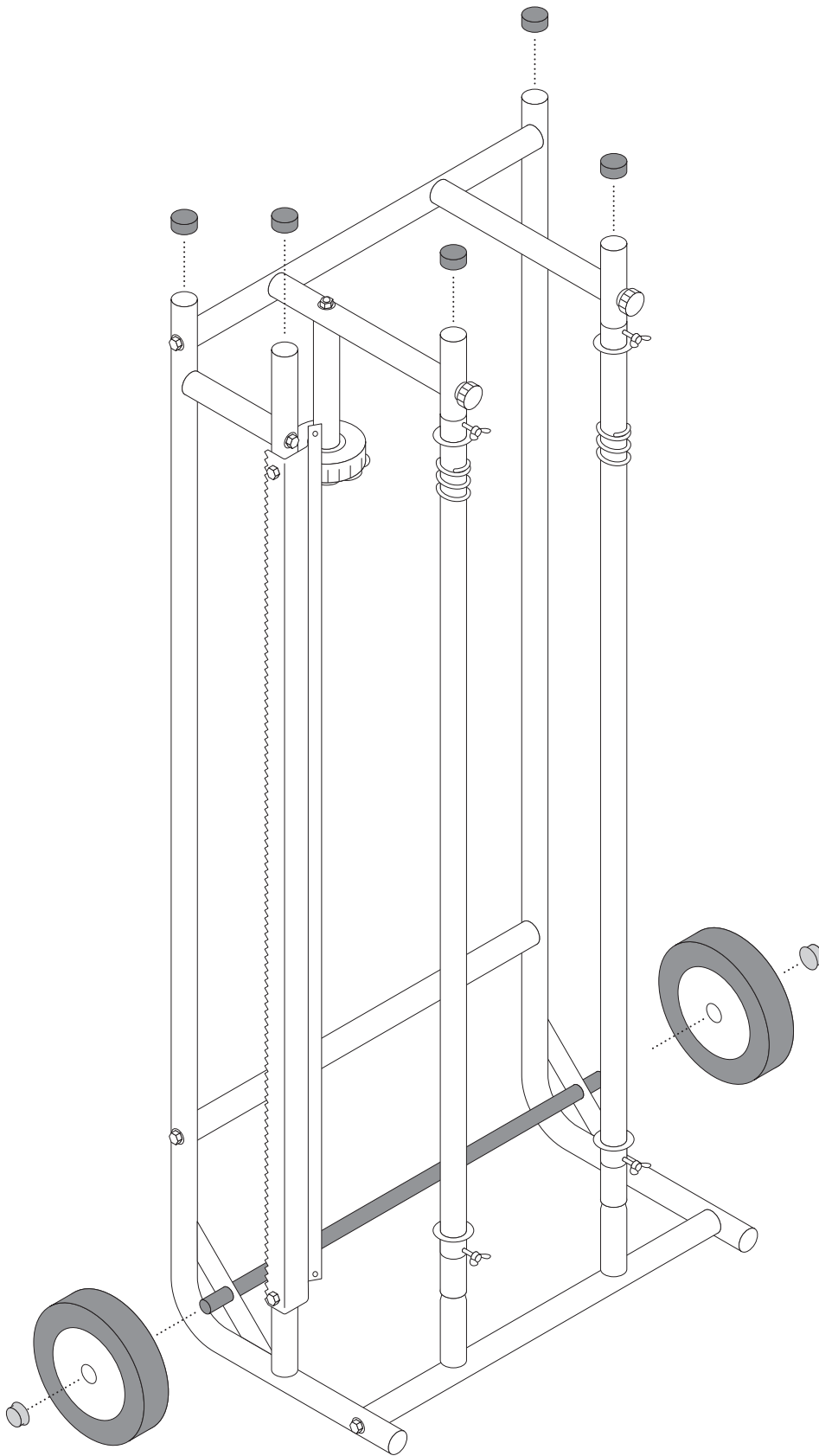
**STEP 4. Install the Extension Spring and Cutter Bar assembly.** First, attach the supplied S-Hooks to each end of the Extension Spring. Next, attach spring to the BACK of the Cutter Bar assembly. Lastly, you will use the two 1/4"-20 X 1 1/2" Bolts. **NOTE:** Ensure that the cutting edge is on the OUTSIDE and facing toward the BACK as shown and that the extension spring is NOT visible from the front.



**STEP 5. Assemble and install Paper Bar Retainer Posts.** Be sure to follow the assembly guidelines. The illustration simply represents the "order" of the items to be installed. **Refer to the following page to see paper roll installation instructions.** Once all items are installed on retainer posts, slide them over the lower posts and secure with 1/4"-20 X 2" Knobs.

STEP 6. **Final assembly.** Install all tubing caps axle, wheels and hubcaps. **Congratulations!**

**Travel Direction of Paper and Tape/Locations of Springs, Washers and Collars. (Front View)**



**Springs rest on TOP** of paper or plastic rolls. Push Paper Bar collar down against the Spring to reach desired paper roll tension and tighten.

**Secure taped paper** behind Spring on the back of the Cutter Bar.

## PART NUMBER BREAKDOWN for ORDERABLE PARTS

NOTE: EVERY part is orderable.  
If you do NOT see an item called out in this illustration (such as specific nuts, bolts, washers etc.) refer to the **parts list** and contact S&H Industries to happily assist in your order.

