



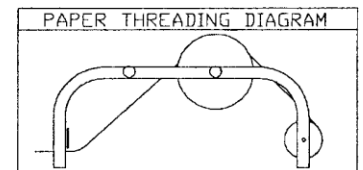
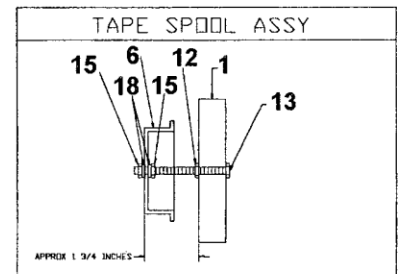
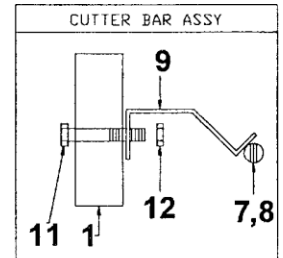
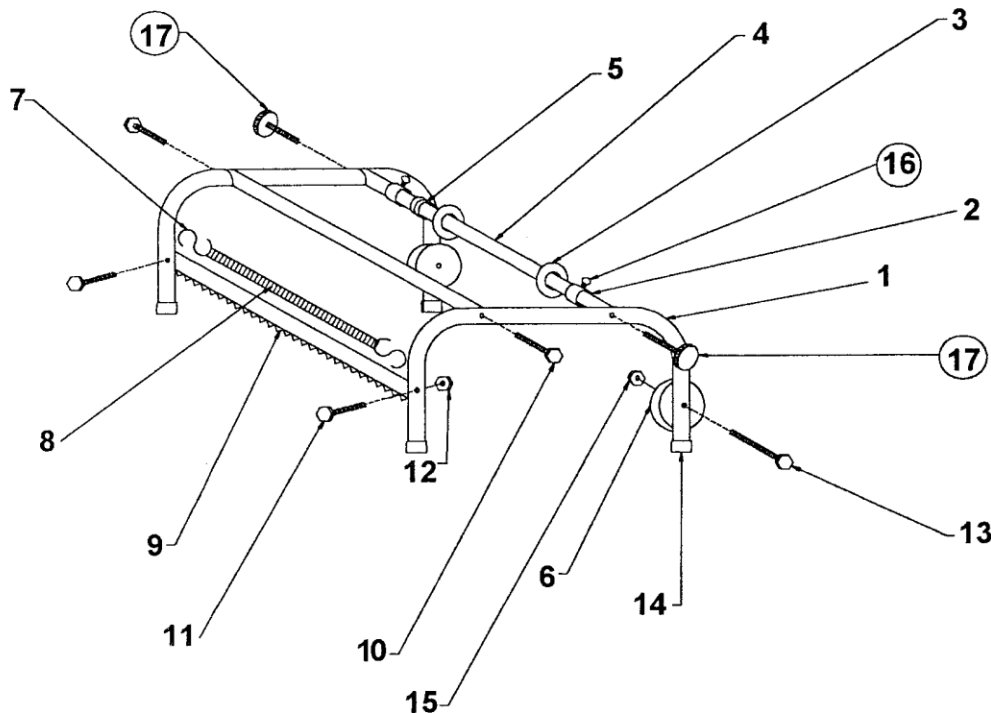
MADE IN THE USA

**KEYSCO TOOLS  
DIVISION OF S&H INDUSTRIES**

5200 Richmond Road • Cleveland, OH 44146  
 Phone 216-831-0550 • Toll Free 800-253-9726 •  
 Fax 216-831-9573  
 www.shindustries.com  
 E-Mail: www.service@shindustries.com  
 Rev. 3/19/14

**36" MASKER – 78003**

The Keysco Tools 36" Masker is designed to dispense masking paper in widths up to 36". Keysco maskers have tape spools on both sides for taping of paper at either end.



Key #	Part #	Description	Qty.	Key #	Part #	Description	Qty.
1	10683	Leg	2	10	10675	1/4-20 x 2" bolt	2
2	10680	Paper bar collar	2	11	10676	1/4-20 x 1-1/2" bolt	2
3	10677	Paper bar washer	2	12	10201	1/4-20 Hex nut	4
4	10692	Paper bar	2	13	10217	1/4-20 x 3" bolt	2
5	10222	Paper bar spring	1	14	10688	Tubing cap	4
6	10672	Tape spool	2	15	10178	1/4-20 Lock-nut	4
7	10689	S-hook	2	16	10203	Thumb screw	2
8	10694	Extension spring	1	17	10678	Knob	2
9	10696	Cutter bar	1	18	10218	1/4" Flat washer	4

**DO NOT TIGHTEN HARDWARE UNTIL ALL PARTS ARE INSTALLED**

**TOOL-LESS PAPER LOADING**

No tools necessary to load paper rolls! Simply remove paper bar (4) by unscrewing two hand knobs (17). Loosen thumb screw (16) and remove paper bar collar (2) and paper bar washer (3). Install paper roll on paper bar and assemble in reverse order. Hand-tighten thumb screw (16) and knobs (17).