

Todd Evacuation Caddy

WARNINGS AND INSTRUCTIONS FOR GASOLINE USE

**PLEASE READ ALL OF THIS INFORMATION
DANGER – EXTREMELY FLAMMABLE
VAPORS CAN EXPLODE
HARMFUL OR FATAL IF SWALLOWED**

**FILL AND TRANSPORT CONTAINER
IN HORIZONTAL POSITION ONLY**

- ! Vapors can cause flash fire.
- ! Vapors can be ignited explosively by a spark or flame many feet away.
- ! Use and store in a well ventilated location.
- ! **DO NOT** store indoors or in vehicle.
- ! Keep away from flames, sparks, pilot lights, stoves, heaters, electric motors or other sources of ignition.
- ! **DO NOT** smoke near gasoline.
- ! **DO NOT** siphon gas by mouth.
- ! Avoid repeated or prolonged contact with skin or breathing of gas vapors.
- ! If swallowed, **DO NOT** induce vomiting. Call physician immediately.
- ! Keep out of reach of children.
- ! Always place container on ground when filling.
- ! Fill cap, dispensing valve and outlet valve must be closed tightly after each use.
- ! **DO NOT** overfill container.
- ! **DO NOT** Fill in the back of a pickup truck or inside any vehicle.
- ! **Maximum Capacity: 28 U.S. gallons**

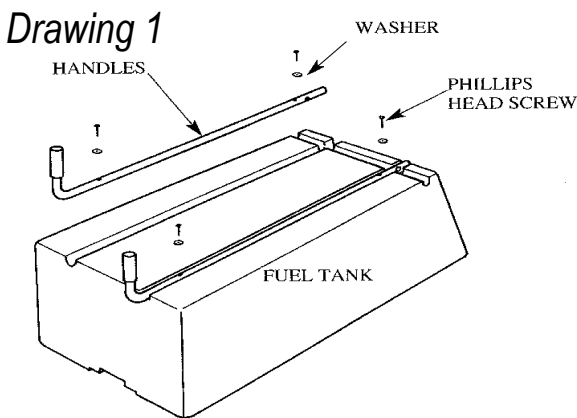
Todd Evacuation Caddy Assembly Instructions

Parts list: Gas Caddy, (2) handles, (2) pneumatic tires, (1) 5/8" dia. axle, (6) 5/8" stainless washers, (2) plastic spacers, (2) Pal nuts, (4) Phillips Head screws 1 1/2" long with washers.

Tools required: Phillips head screwdriver, hammer and supplied block of wood.

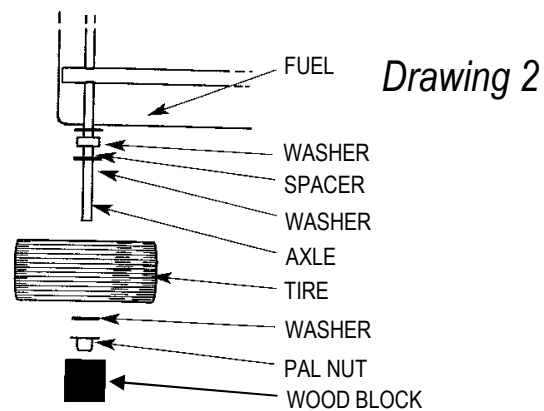
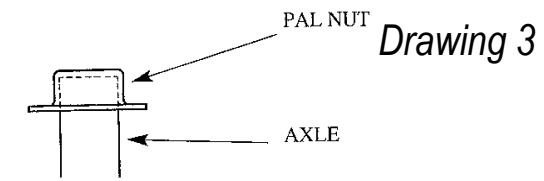
Assembly Instructions:

1. Place the Gas Caddy face down and position the handles in the handle grooves with the curved ends at the top pointing up.
2. Slide the axle through the handles.
3. Insert the 4 Phillips Head screws with washers through the holes in the handles and loosely attach the handles to the Gas Caddy. (See *Drawing 1*.)



4. On each end of the axle, in this order, place a washer, spacer, washer, tire, washer and Pal nut. (See *Drawing 2*.) To seat the Pal nut correctly, place the nut on the axle and tap it with a hammer until the axle reaches the full depth of the nut. (See *Drawing 3*.)

(Note: For best results, before putting on Pal nut, place wood block on floor lay Caddy on its side with end of axle placed on top of wood perpendicular to the floor.)



5. Tighten the 4 Phillips Head screws holding the handles to the tank securely.

Todd Evacuation Caddy Pump Assembly Instructions

Model number 2403WPQD

Tools required:
Phillips head screw driver, pipe wrench,
(2) large adjustable wrenches, small ad-
justable wrench, bench vise, fuel
proof pipe sealant.

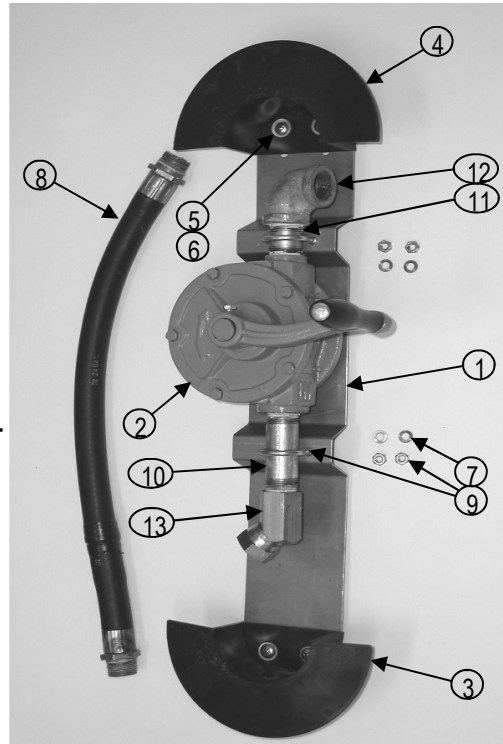


ILLUSTRATION 5



ILLUSTRATION 6

1. Wrap 3 layers of Teflon tape (in direction opposite of thread engagement) on both ends of pipe nipples (items 10 & 11).
2. Screw short nipple (item 11) into top of pump (see illustration 5).
3. Thread elbow (item 12) onto end of short nipple (item 11) and tighten items 11 & 12 securely into pump (item 2) as shown (see illustration 5).
4. Screw long nipple (item 10) into bottom of pump (see illustration 5).
5. Thread elbow (item 13) onto end of long nipple (item 10) and tighten items 10 & 13 securely into pump (item 2) as shown (see illustration 5).
6. Mount pump assembly (nipple, elbows) to pump mount bracket (item 1) using u-bolts, lock washers & hex nuts (items 9 & 7) as shown (see illustration 5).
7. Mount pump assembly w/ bracket to front of gas caddy including hose brackets (items 3 & 4) using 1/4-20 screws & 1/4" flat washers (items 5 & 6) (see illustration 5 & 6).
8. Thread hose (item 8) into ball valve at bottom of Gas Caddy (see illustration 6) and tighten securely (note: ball valve must be held with second wrench to prevent it's rotation and possibly damaging the Gas Caddy tank).
9. Thread other end of the hose (item 8) into 45 degree elbow (item 13 and tighten securely.
10. Thread evacuation hose assembly (item 14) into 90 degree elbow (item 12 in illustration 6) and tighten securely.
11. Place hose clamp (item 15) over hose (item 8) & fasten using (2) 10-24 screws provided.

Todd Evacuation Caddy Pump Assembly Instructions

Model number 2403IPQD

Tools required:
Phillips head screw driver, pipe wrench, (2) large adjustable wrenches, small adjustable wrench, bench vise, fuel proof pipe sealant.

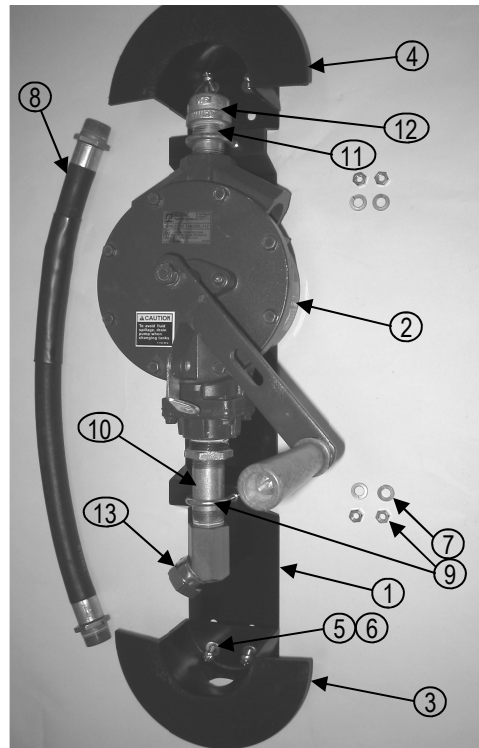


ILLUSTRATION 7

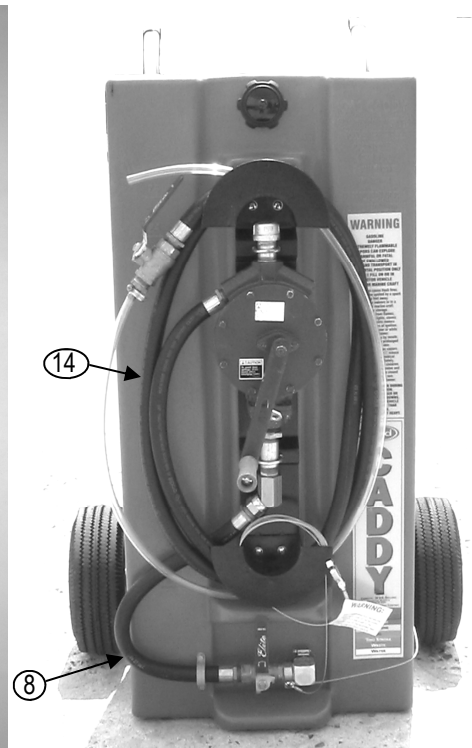


ILLUSTRATION 8

1. Wrap 3 layers of Teflon tape (in direction opposite of thread engagement) on both ends of pipe nipples (items 10 & 11).
2. Screw short nipple (item 11) into top of pump (see illustration 7).
3. Thread pipe cap (item 12) onto end of short nipple (item 11) and tighten items 11 & 12 securely into pump (item 2) as shown (see illustration 7).
4. Screw long nipple (item 10) into bottom of pump (see illustration 7).
5. Thread elbow (item 13) onto end of long nipple (item 10) and tighten items 10 & 13 securely into pump (item 2) as shown (see illustration 7).
6. Mount pump assembly (nipple, elbows) to pump mount bracket (item 1) using u-bolts, lock washers & hex nuts (items 9 & 7) as shown (see illustration 7).
7. Mount pump assembly w/ bracket to front of gas caddy including hose brackets (items 3 & 4) using 1/4-20 screws & 1/4" flat washers (items 5 & 6) (see illustration 7 & 8).
8. Thread hose (item 8) into ball valve at bottom of Gas Caddy (see illustration 8) and tighten securely (note: ball valve must be held with second wrench to prevent it's rotation and possibly damaging the Gas Caddy tank).
9. Thread other end of the hose (item 8) into 45 degree elbow (item 13 and tighten securely.
10. Thread evacuation hose assembly (item 14) into pump (item 2 in illustration 7) and tighten securely.
11. Place hose clamp (item 15) over hose (item 8) & fasten using (2) 10-24 screws provided.

Todd Evacuation Caddy Operating Instructions

Model 2403IPQD & 2403WPQD

When using rotary hand pump for fuel evacuation

1. Gas Caddy should be on the ground. Attach the grounding clamp to the grounding point of the vehicles' tank to help prevent static electricity ignition of fuel vapors.
2. Twist the fill cap vent screw one turn counter-clockwise. This allows the tank to vent and the fuel to flow smoothly.
3. Open ball valve on tank.
4. Insert hose into tank, open ball valve on hose and crank pump counter clockwise to evacuate.
5. when evacuation is complete close the ball valves.
6. Close the fill cap vent.

When using rotary hand pump for refueling

1. Gas Caddy should be on the ground. Attach the grounding clamp to the grounding point of the receiving tank to help prevent static electricity ignition of fuel vapors.
2. Twist the fill cap vent screw one turn counter-clockwise. This allows the tank to vent and the fuel to flow smoothly.
3. Open ball valve on tank.
4. Insert hose into tank to be filled, open ball valve on hose and crank pump clockwise to fill.
5. When fuel transfer is complete, close ball valves.
6. Close the fill cap vent.

Safety Guidelines When Refueling

NOTE

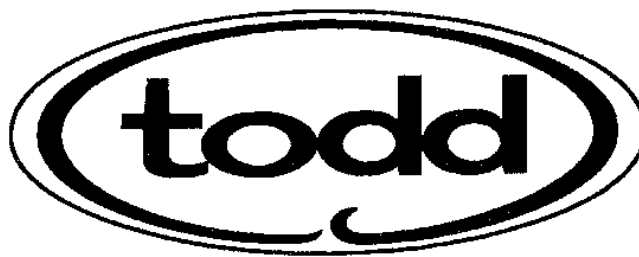
Gasoline is a toxic, flammable and potentially dangerous substance. For the safety of you and those around you, read and follow these guidelines.

1. Always place the container on the ground and keep the nozzle in contact with the container when refueling to help prevent a static electricity ignition of fuel vapors.
2. Containers should never be filled in or on the back of a pickup truck or any other vehicle, or marine craft.
3. When filling, manually control the nozzle valve throughout the filling process. Fill the container slowly to decrease the chance of static electricity buildup and to minimize spilling or splattering.
4. Attach ground wires to the grounding point of the vehicles tank to help prevent static electricity ignition of fuel vapors.
5. **Never** smoke, light matches, use lighters, use cell phones or other electrical devices while filling.
6. Discharge your static electricity before fueling by physically touching a metal surface away from the nozzle.
7. Vapors can cause flash fires.
8. Vapors can be ignited explosively by a spark or flame many feet away.
9. Use and store in a well ventilated location.
10. **DO NOT** store indoors or in a vehicle.
11. **DO NOT** siphon gas by mouth.
12. If gas is swallowed, **DO NOT** induce vomiting, Call physician immediately.
13. Avoid repeated or prolonged contact with skin or breathing of gas vapors.
14. Keep out of reach of children.
15. Fill cap, dispensing valve and outlet valve must be closed tightly after each use.
16. **DO NOT** overfill container.
17. **If a fire starts, do not remove nozzle**—back away immediately.
18. Refer to posted warnings on dispensing pump.
19. Dispensing hose must be empty while transporting.
20. Secure container during transport. Never use bungee type rubber cords. They may not restrain the container. Chain or cable is recommended.
21. Never leave in direct sunlight or in the trunk of a vehicle.
22. If gasoline spills on the container, make sure that it has evaporated before using or transporting.
23. Regulations for the transportation of gasoline vary from state to state and even locally. Check all federal, state and local regulations.

WARNING AND INSTRUCTIONS FOR TRANSPORTING

The transportation of gasoline has certain inherent risks. Todd Enterprises has taken every precaution to provide you with the safest possible container for this purpose. However, to ensure safety during transport, the user must take the following precautions:

1. **When gasoline is transported in a commercial vehicle a Flammable Liquid sign must be displayed in clear view on the back of the vehicle.**
The sign should be removed from display when not transporting gasoline.
2. **Transport the Gas Caddy in the HORIZONTAL position ONLY!**
3. **The dispensing hose must be empty during transport.** One can empty the hose by : Tilting the tank to its horizontal position, opening the ball valve, lifting the hose above tank level and opening the nozzle valve to drain the fuel back into the tank, or into the container being filled.
4. **Vent cap must be attached securely and vent closed.**
5. **The Gas Caddy must be secured to the vehicle so that it cannot be moved.** This can best be accomplished by laying the Gas Caddy in the horizontal position and then running a chain or cable through the center hole of the Gas Caddy and securing the chain or cable to an immovable object on the vehicle. Secure the Gas Caddy so there is the minimum likelihood that loose objects in the vehicle do not puncture the Gas Caddy.
6. **Regulations for the transportation of gasoline vary from state to state and even locally.** The vehicle operator is responsible for compliance with all Federal, State and local transportation regulation. Contact your local DOT or police department for information.



TODD Manufacturing
530 Wellington Ave.
Cranston, RI 02910

Corporate Office
361 Neptune Ave.
W. Babylon, NY 11704

Phone: 631-661-8300