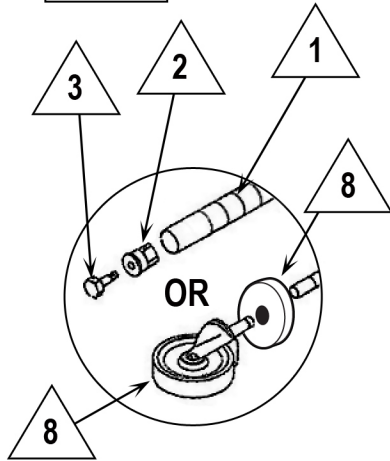


1

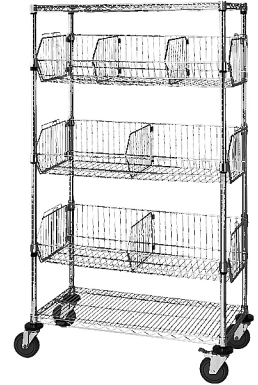
ASSEMBLY INSTRUCTIONS WIRE BASKET UNIT



CONTENTS

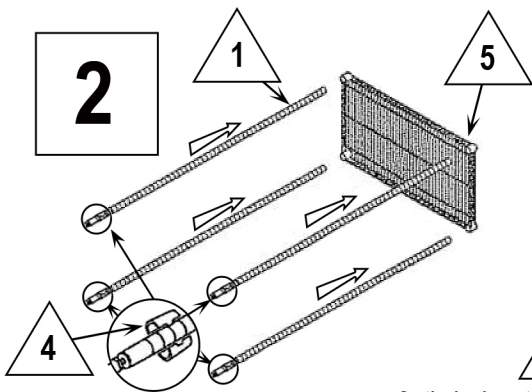
REF.	QTY.	DESCRIPTION
1	4	POSTS
2	4	
3	4	
4	20	
5	2	SHELVES
6	3	BASKETS
7	12	COLLAR HOOK
8	4 & 4	CASTERS & DONUTS (Optional)

5



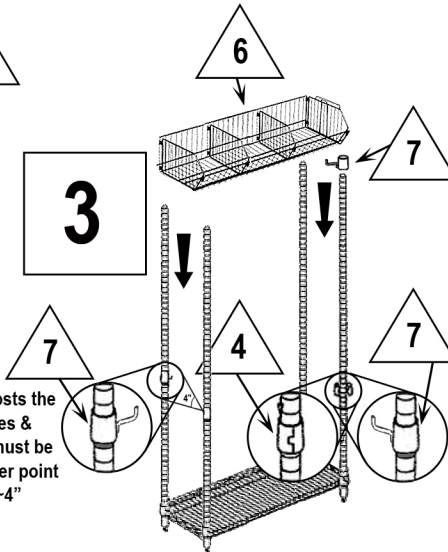
COMPLETED WIRE BASKET UNIT
(Optional Mobile Kit Shown)

2

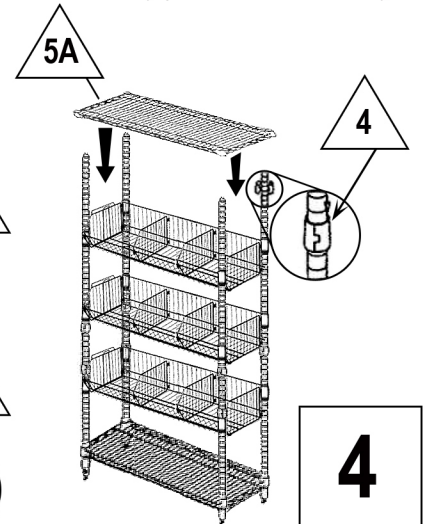


3

On the back posts the Clipping Sleeves & Collar Hooks must be placed at a higher point than the front ~4"



5A

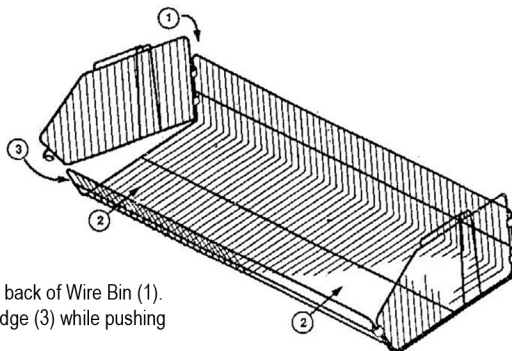


4

MODULAR WIRE BASKETS INSTRUCTIONS

STACKING WIRE BIN

- A) Hook Side Panel onto back of Wire Bin (1), then hook onto front edge (3) while pushing front of Bin in (2).
- B) Repeat for opposite Side Panel.



OPTIONAL DIVIDER

- Hook Optional Divider onto rear wire (1), then hook onto front wire (2).

