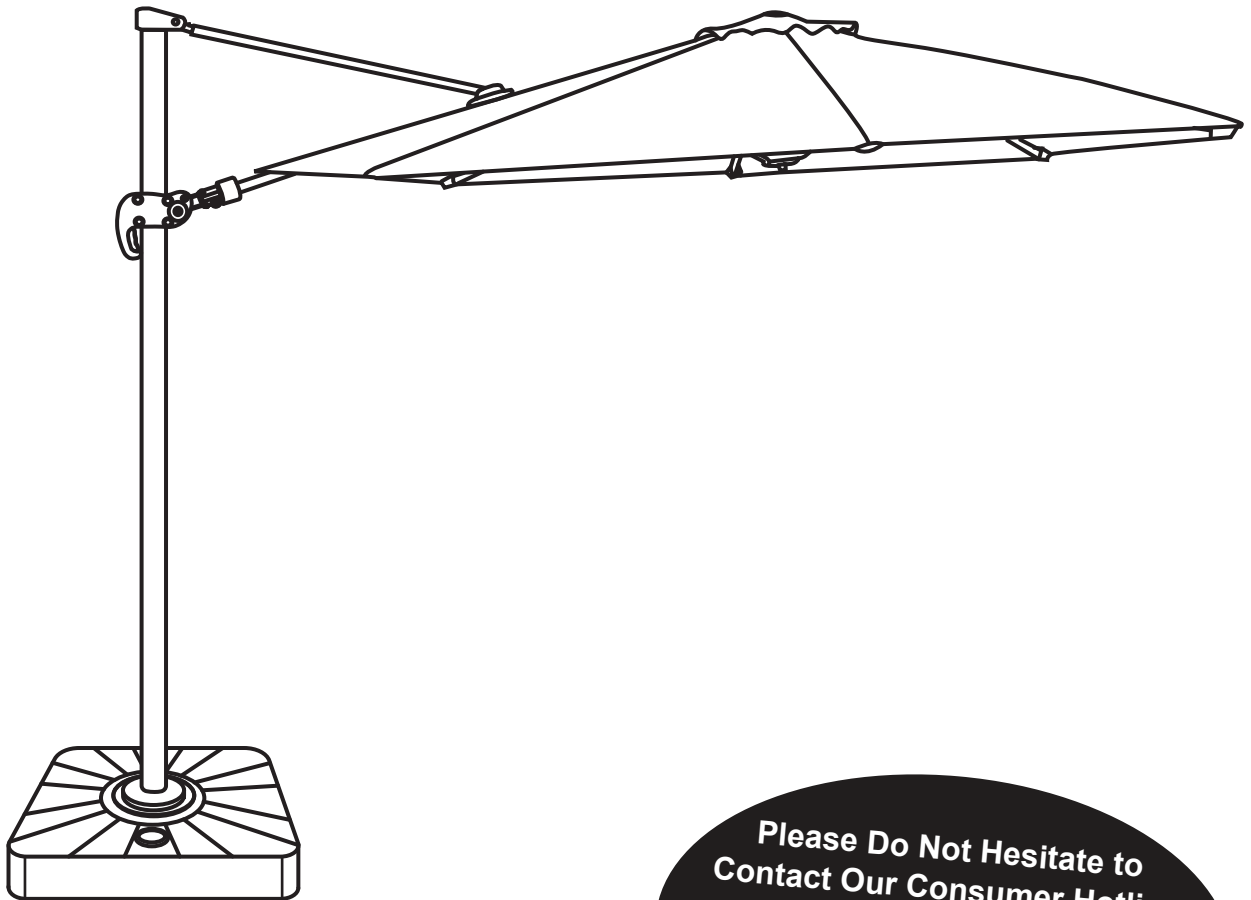




## Victoria 13-ft Octagonal Cantilever Patio Umbrella with Sunbrella® Fabric



**Please Do Not Hesitate to  
Contact Our Consumer Hotline  
at 800-759-0977  
with Any Questions That May  
Arise During Assembly or  
Use of This Product!**

NU6745B • NU6750B • NU6755B  
NU6775B • NU6785B • NU6790B

## PACKAGE CONTENTS

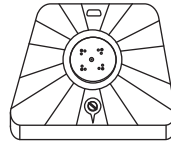
- A – (1) Main Umbrella\*
- B – (1) Plastic Water Fillable Stand  
(incl. in separate carton as **NU6000JL**)
- C – (1) Base Pole, NUP4117
- D – (1) Swivel Cover, NUP4118
- E – (1) Allen Wrench, NUP4119
- F – (4) Stainless Bolt, NUP4120
- G – (4) Washer, NUP4121
- H – (1) Threaded Knob, NUP4122
- I – (1) Crank Handle, NUP4123
- J – (1) Umbrella Cover, NUP4124

\* For main umbrella replacement please specify the item number for your umbrella

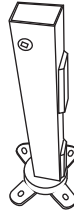
A



B



C



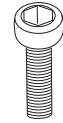
D



E



F



G



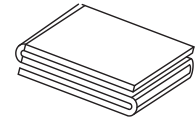
H



I



J



## SAFETY INFORMATION

Please read and understand this entire manual before attempting to assemble or install the product.

- Assemble on level ground.
- Keep children away from assembly area.
- Two adults are required for safe assembly.
- The stand is quite heavy (220lbs) after being filled with water, special attention is necessary for your safety.
- In case you want to move the umbrella to a new place, please close the umbrella and pour the water out of the stand first.

## PREPARATION

Before beginning assembly of product, make sure all parts are present. Compare parts with package contents list. If any part is missing or damaged, do not attempt to assemble the product.

**Estimated Assembly Time: 10 Minutes**

The tool for assembly is with the umbrella

## CARE AND MAINTENANCE

Clean with mild soap and lukewarm water, rinse and air dry.

When not in use, close and cover the umbrella with a protective cover (included).

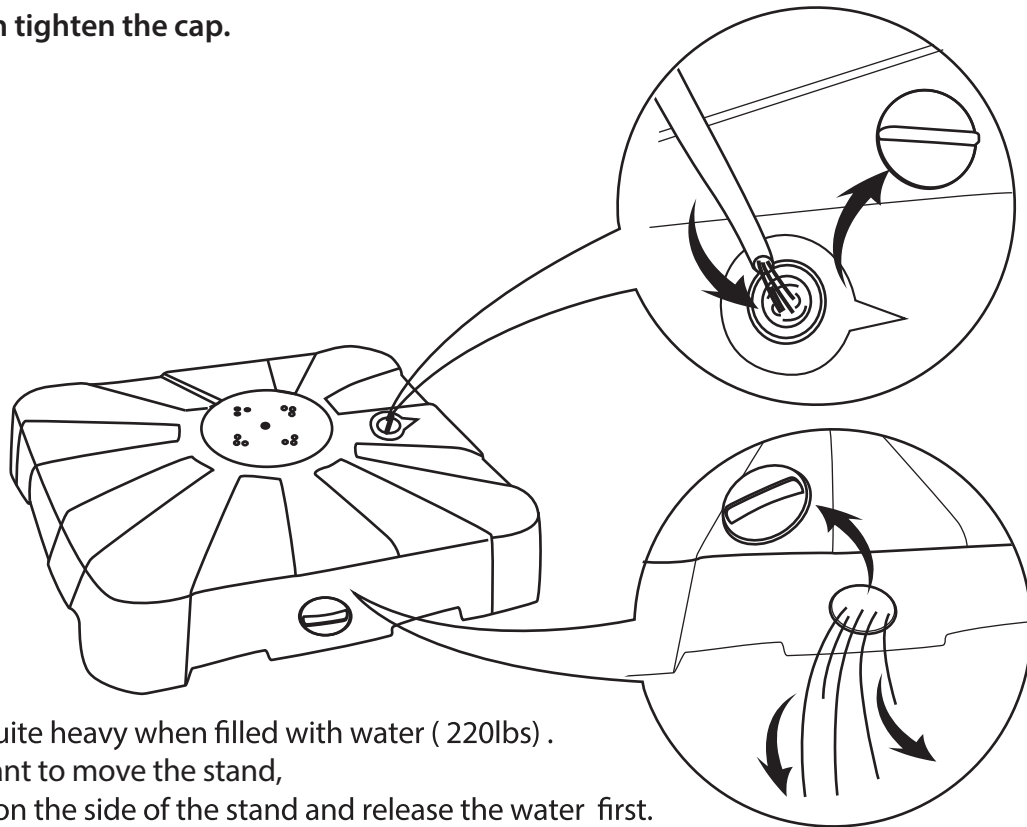
The umbrella must be closed in windy weather to avoid any damages.

Store the product indoors in a cool, dry place.

## ASSEMBLY INSTRUCTIONS

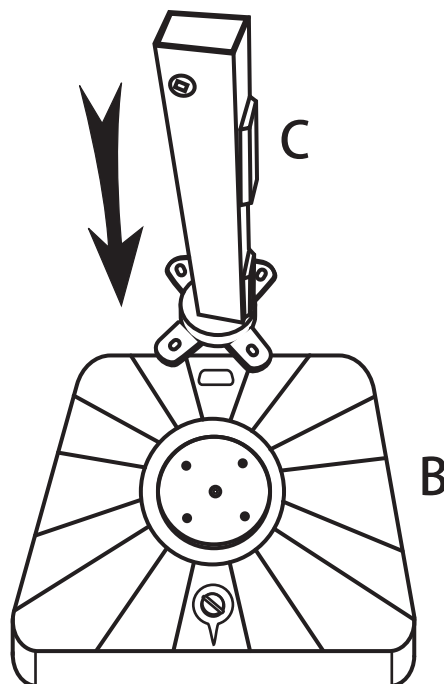
Carefully check all packaging materials before discarding.  
Do not assemble if there are missing pieces.

- Step 1** Put the stand on a level ground where you intend to locate your umbrella.  
Open the cap on the top of the stand & fill the stand with water.  
Then tighten the cap.

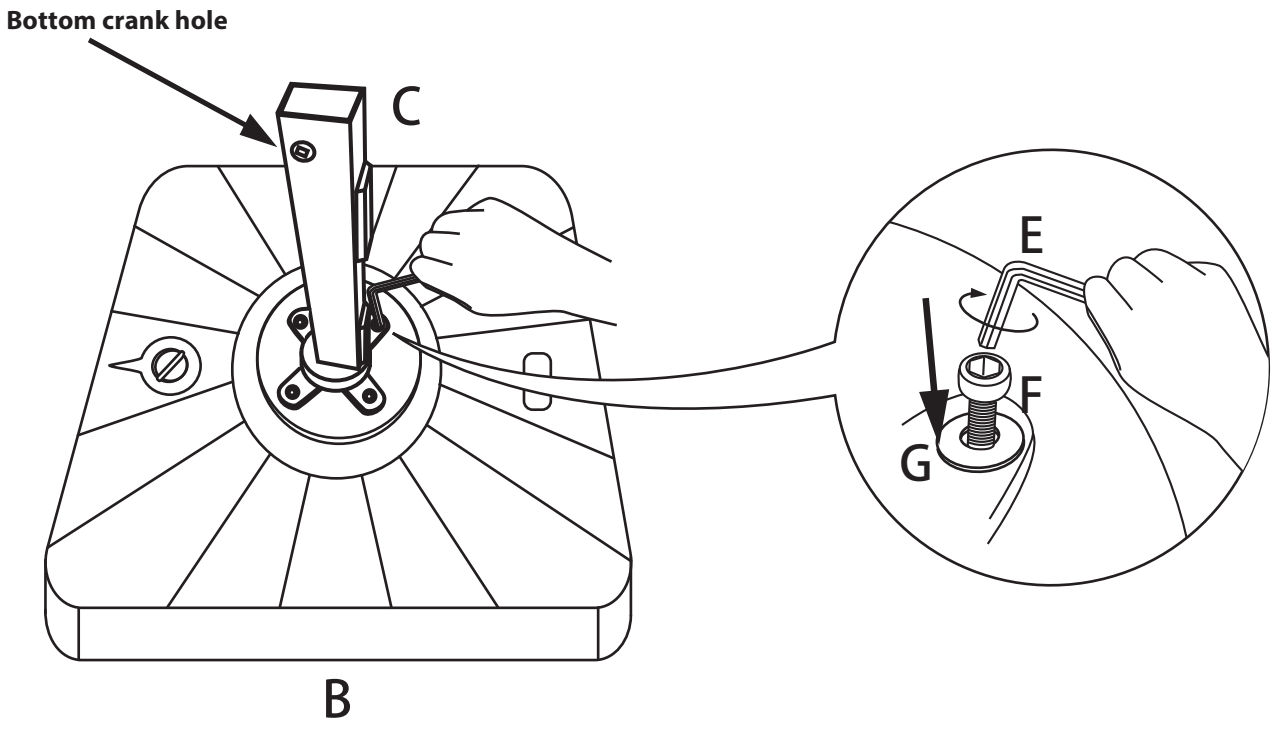


The stand is quite heavy when filled with water ( 220lbs ) .  
In case you want to move the stand,  
open the cap on the side of the stand and release the water first.

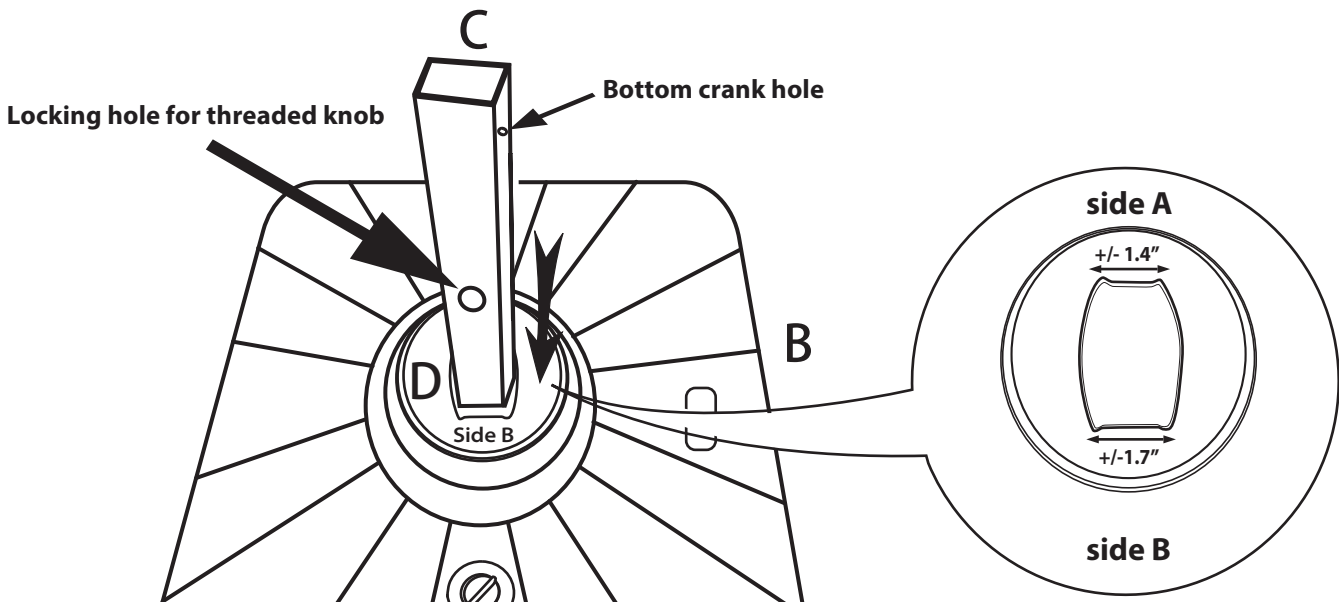
- Step 2** Put the Base pole (C) on the top of the Plastic Water Fillable Stand (B).



**Step 3** Attach the Base Pole (C) on the top of the Plastic Water Fillable Stand (B) with Bolts (F) & Washers (G) using the Allen Wrench (E) to tighten.

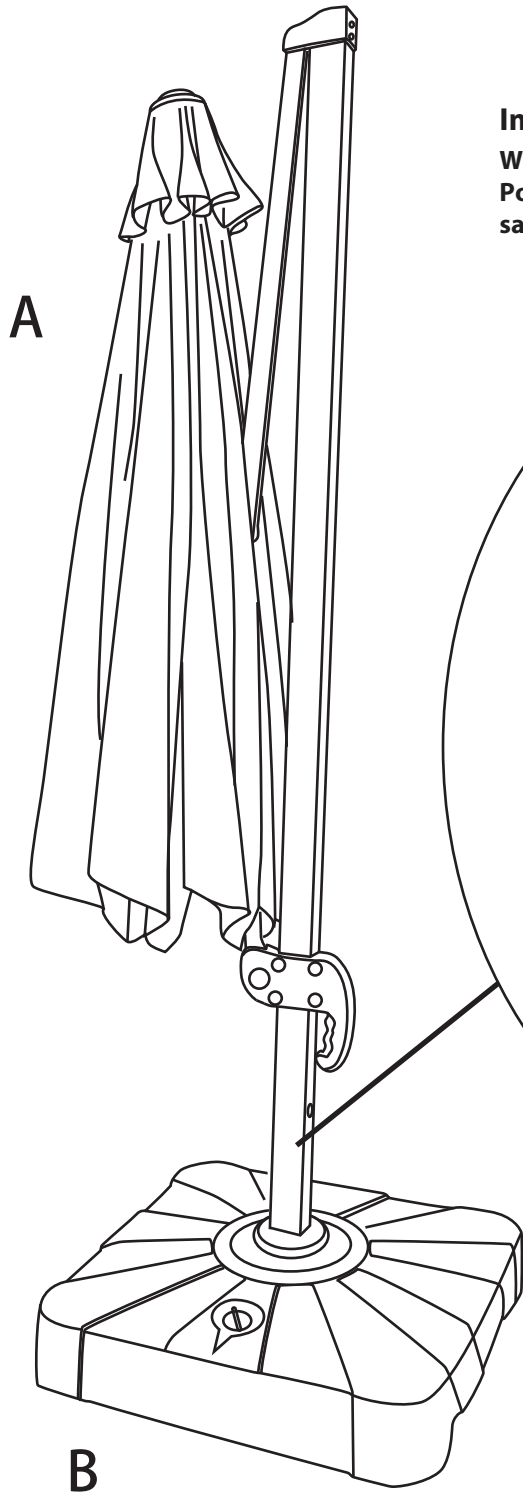


**Step 4** Put the Swivel Cover (D) around the Base Pole (C).



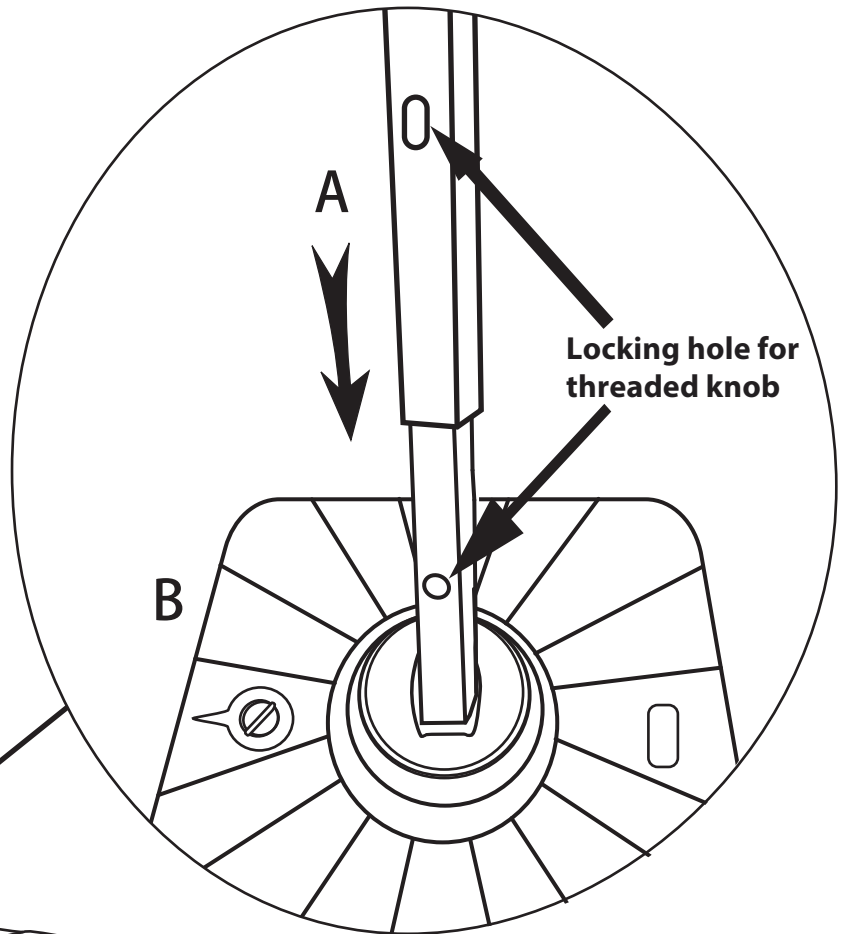
**Important Notice :**  
Pay attention to the size of the middle hole in the Swivel Cover (D).  
Side A / Front Side : +/- 1.4", Side B / Rear Side : +/- 1.7".  
Side B of the Swivel Cover (D) and the locking hole on the Base Pole (C) must be on the same side.

**Step 5** Put the Main Umbrella (A) over the Base Pole (C)

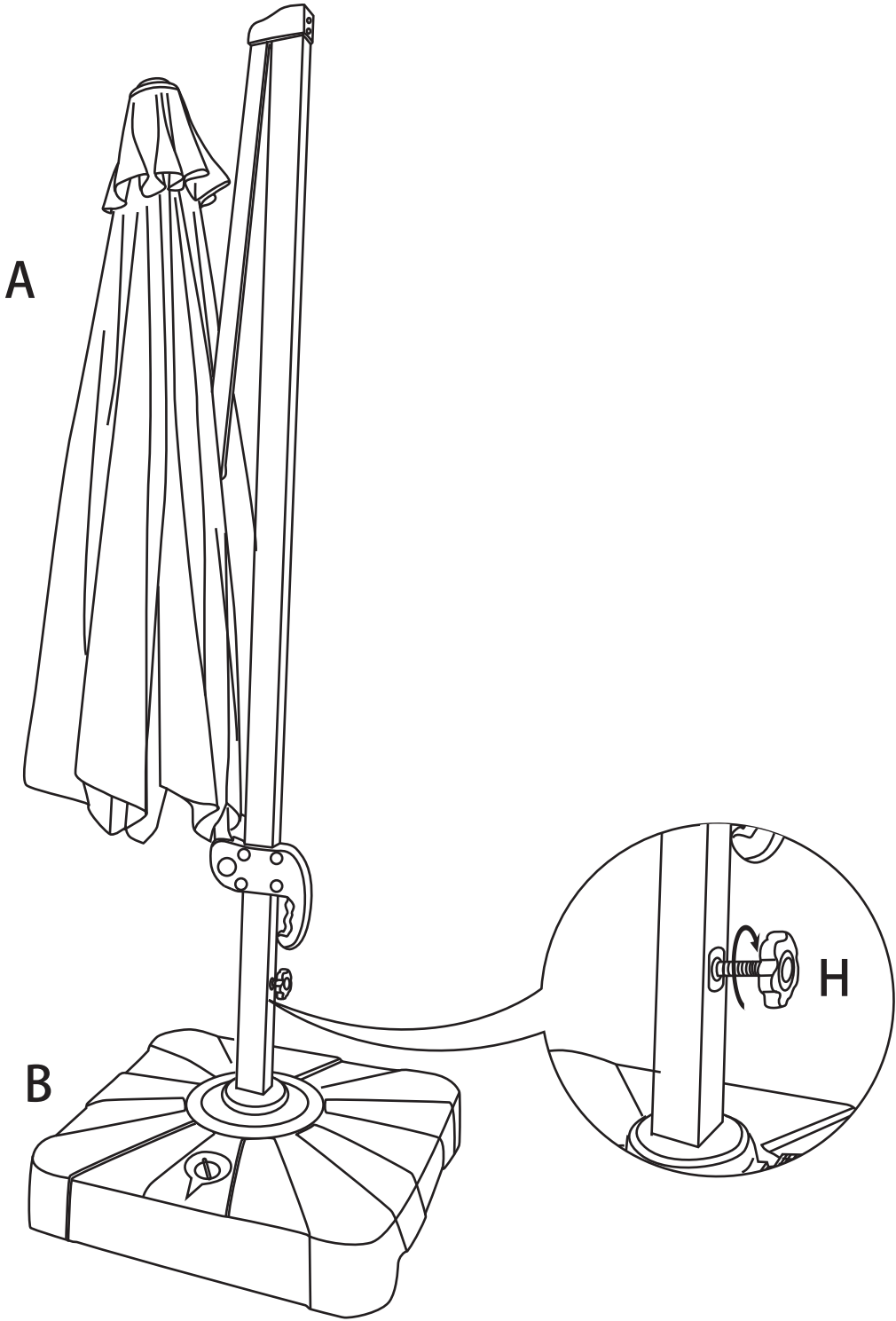


**Important Notice :**

When you put the Main Umbrella (A) onto the Base Pole (C), make sure the locking holes are on the same side .

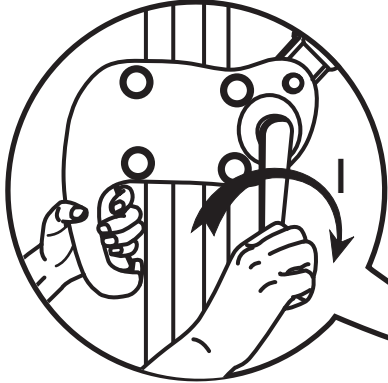


**Step 6** Screw the Threaded Knob (H) into the locking hole clockwise.

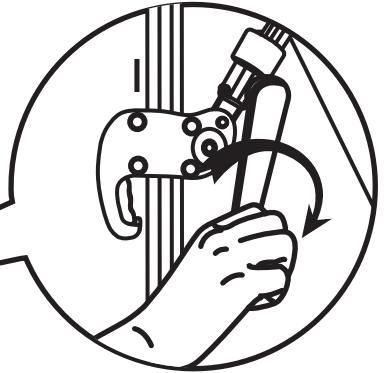


**Step 7** There are 3 Crank Holes on your umbrella.  
Top crank hole for canopy tilting,  
Bottom crank hole for 360 degree rotation.  
Middle crank hole for umbrella opening and closing.

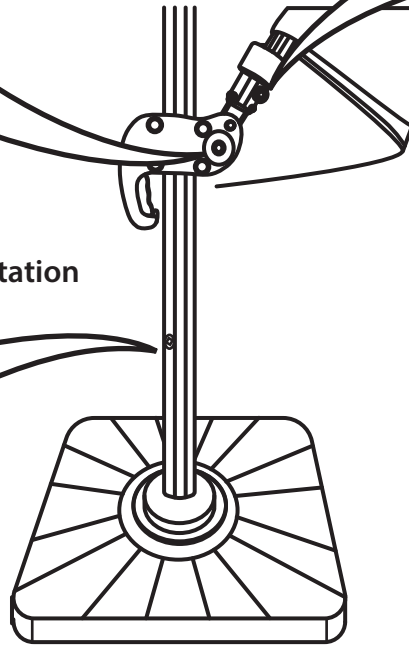
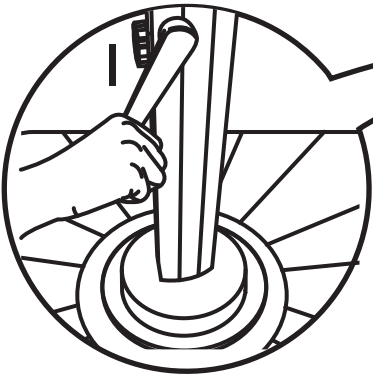
Middle Crank Hole for umbrella opening and closing



Top Crank Hole for canopy tilting

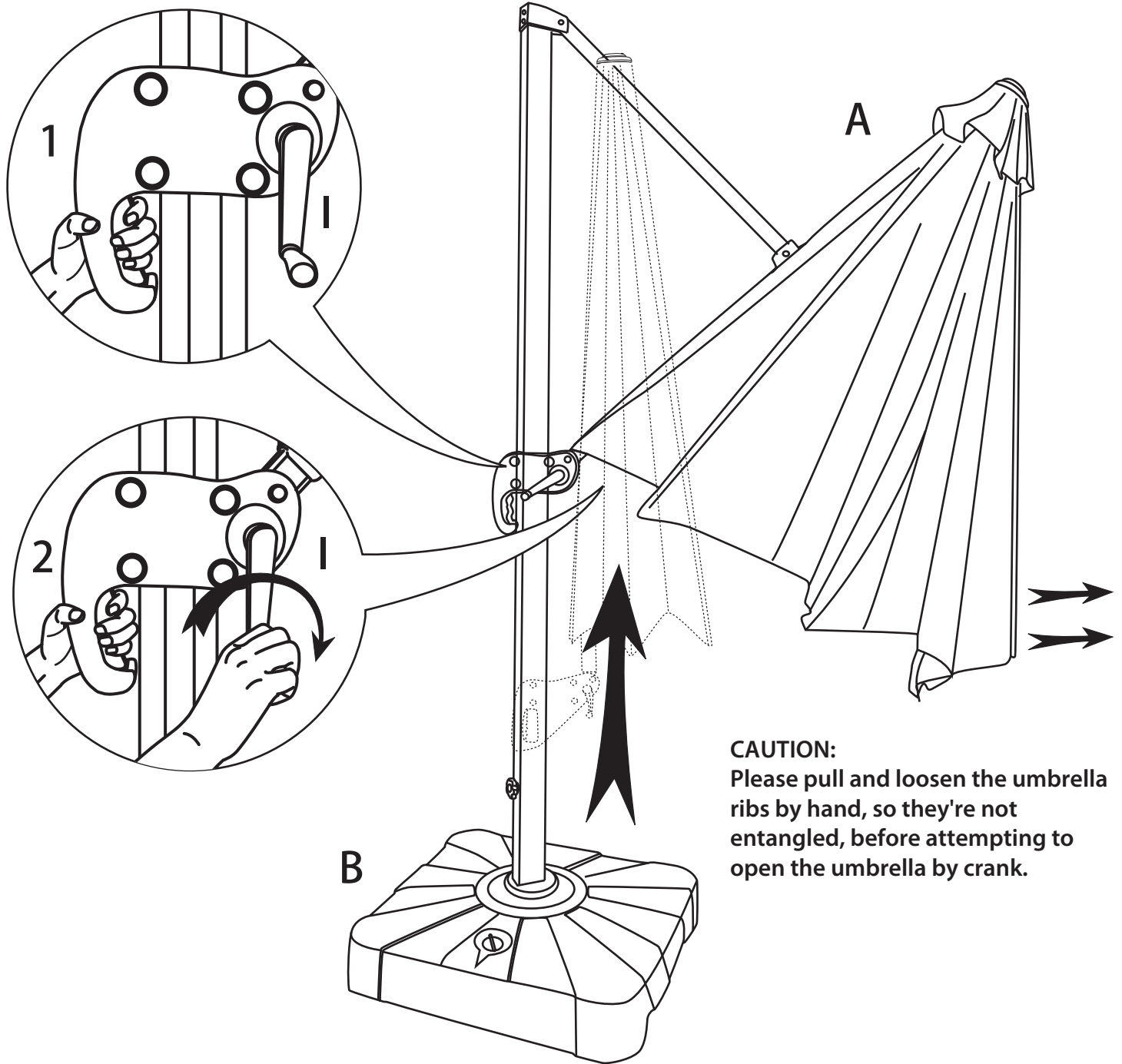


Bottom Crank Hole for 360 degree rotation



## Step 8

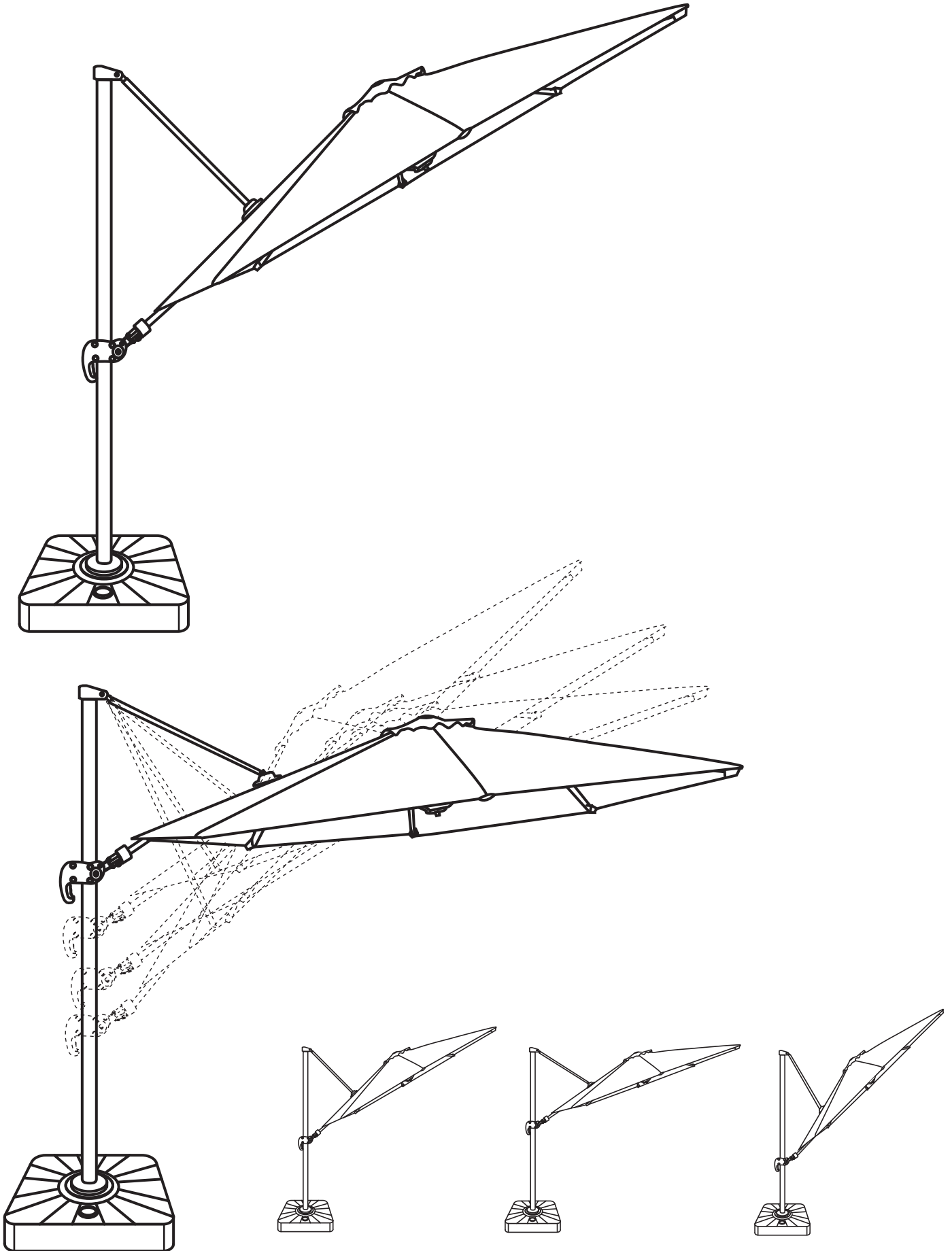
Squeeze the trigger before attempting to raise the crank house. Insert the Crank Handle (I) into the middle crank hole and turn clockwise to extend the umbrella fully .



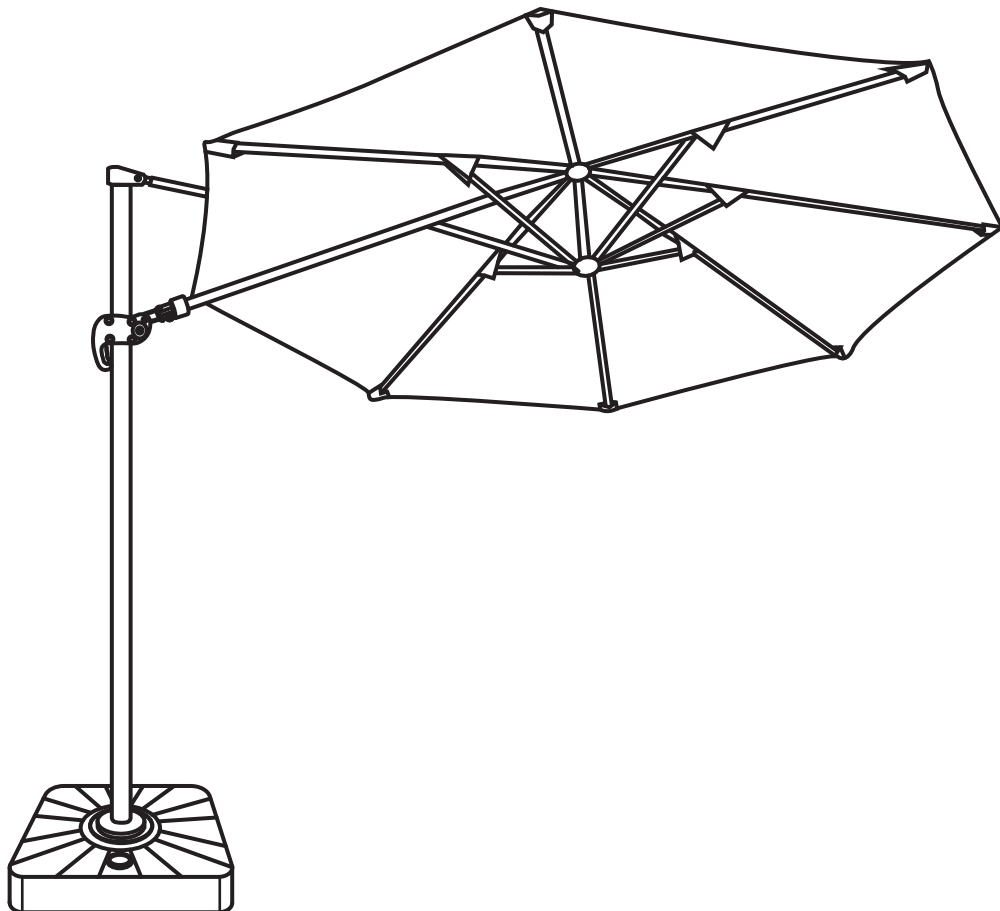
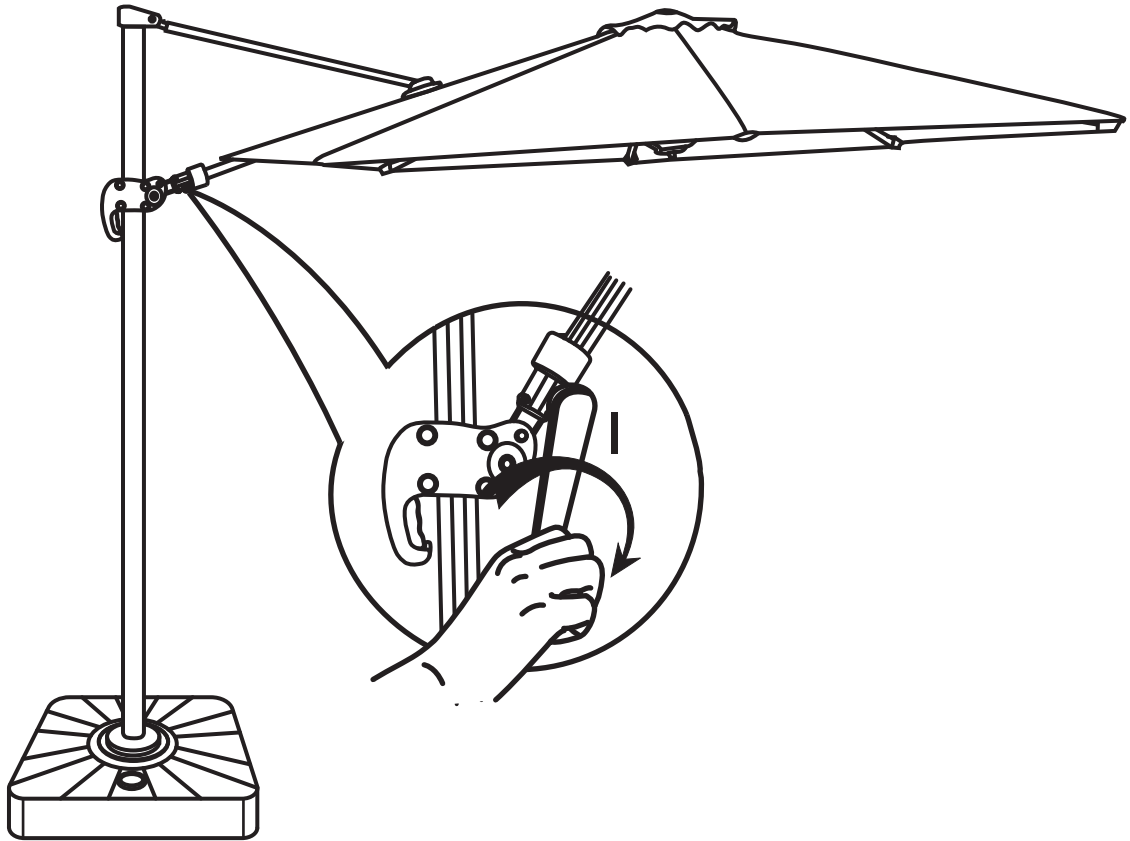
**CAUTION:**  
Please pull and loosen the umbrella ribs by hand, so they're not entangled, before attempting to open the umbrella by crank.



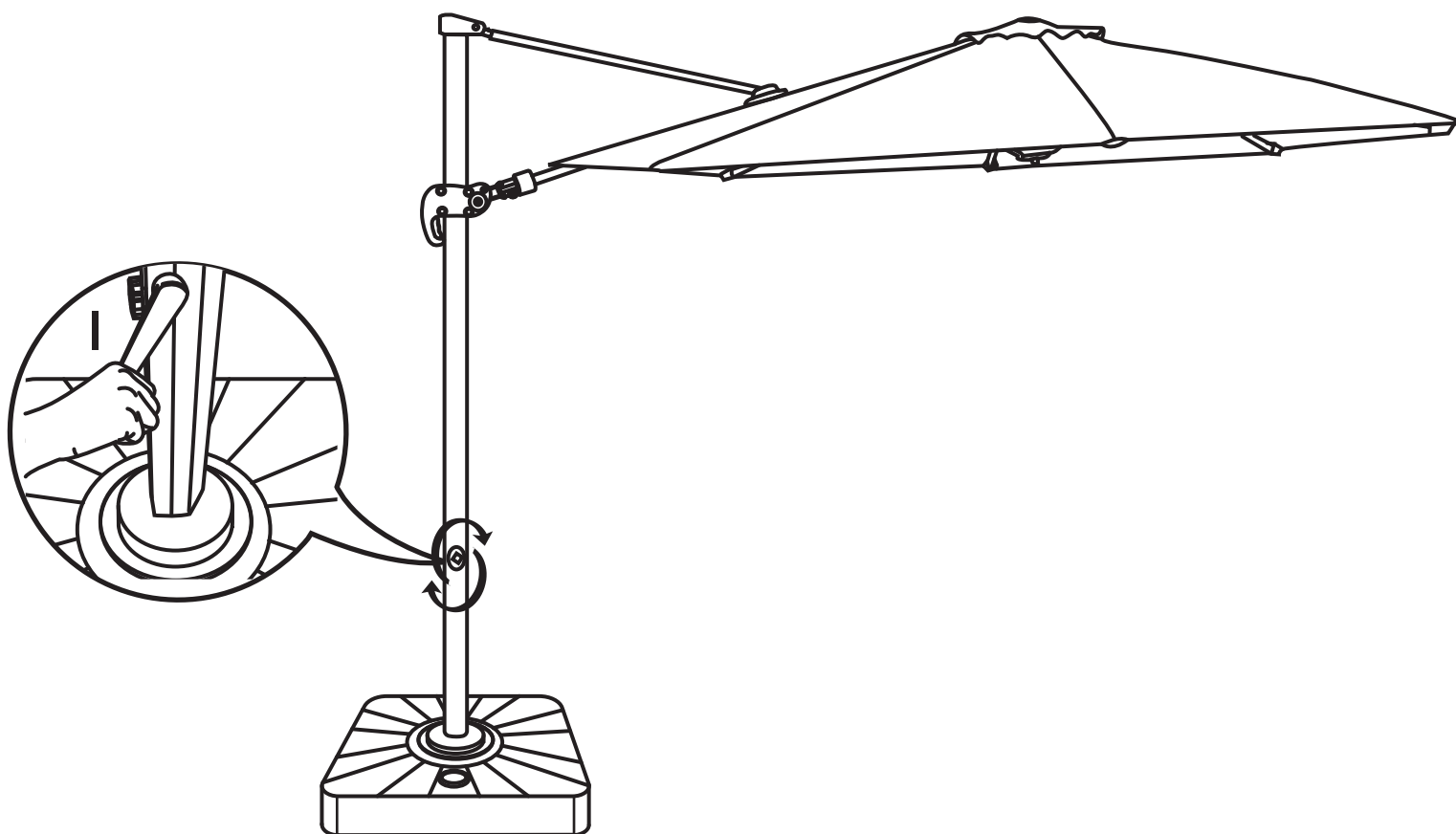
**Step 9** The umbrella has 6 position holes on the main pole to fix the canopy at different angles . Squeeze trigger and lift up to desired height.



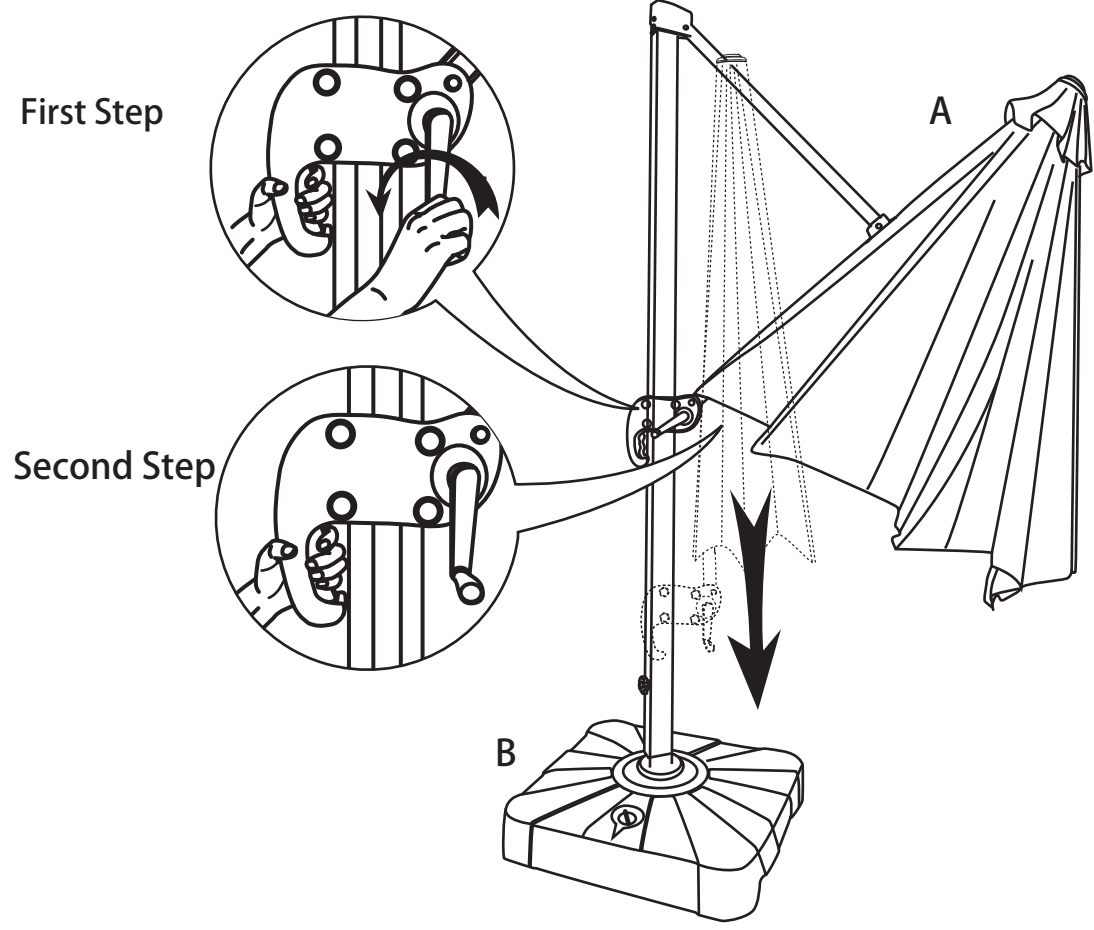
**Step 10** Insert the Crank Handle (I) into the top crank hole to tilt your umbrella canopy.



**Step 11** Insert the Crank Handle (I) into the bottom crank hole to rotate your umbrella 360 degrees.



**Step 12** Squeeze the trigger before attempting to lower the crank housing. Turn the Crank handle counter-clockwise to close the umbrella, then squeeze and pull down on trigger to lower.



**Step 13** When not in use, place Umbrella Cover (J) over the umbrella.

