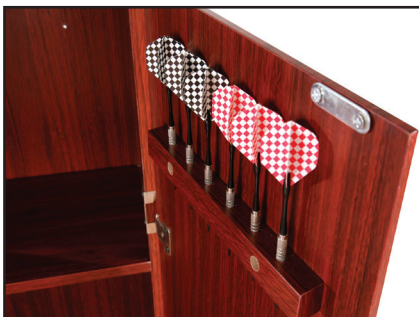
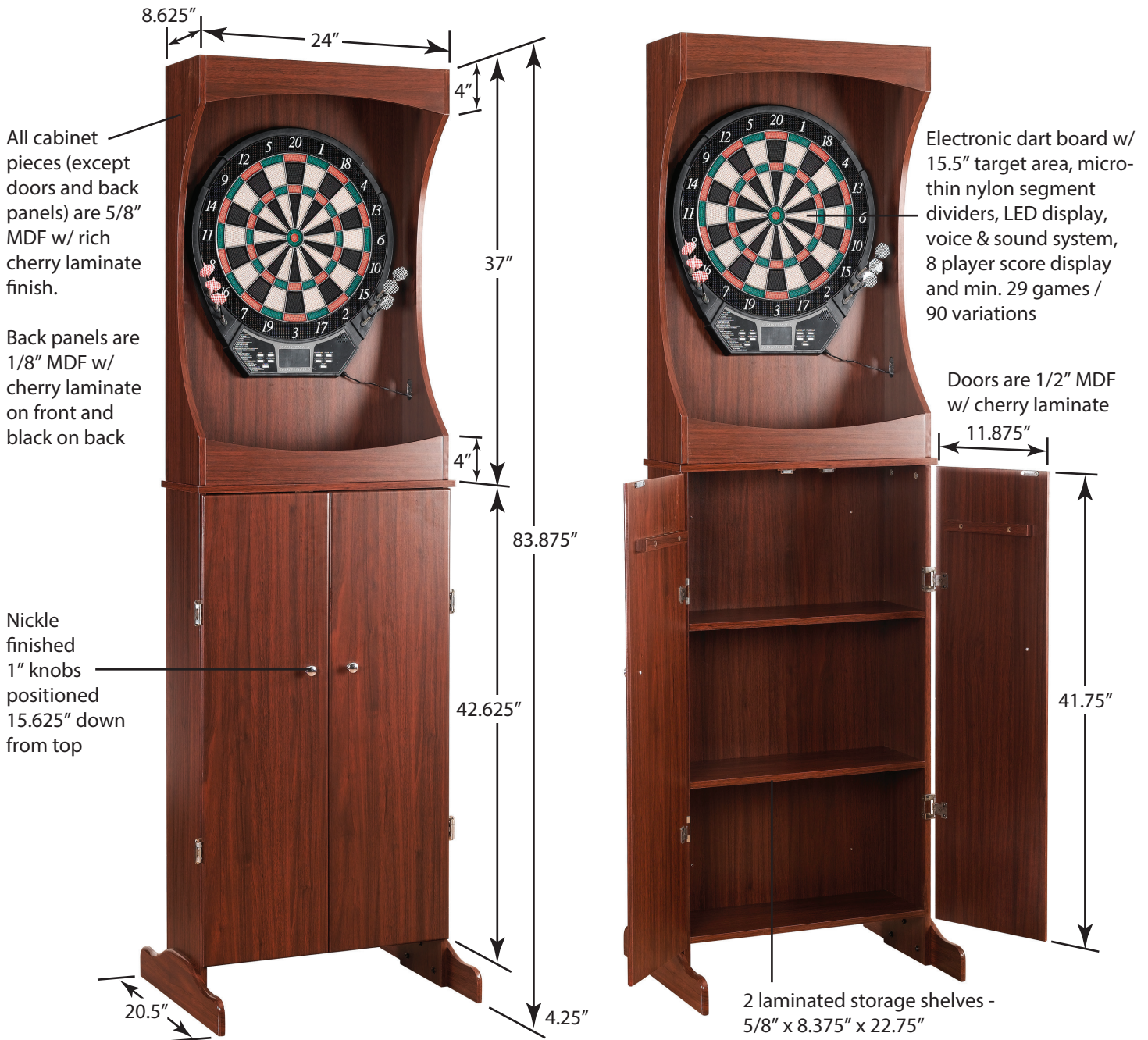


OUTLAW FREE STANDING DART CABINET- NG1040

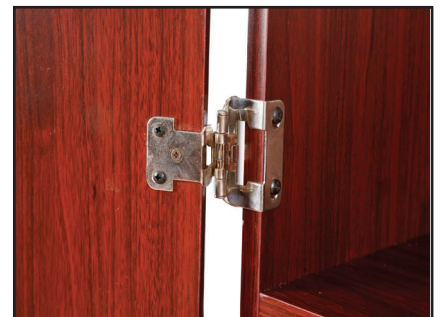
Spec Sheet



Dart holders for 6 darts mounted on each door. 2 sets of high quality 18 gram soft tip darts included.



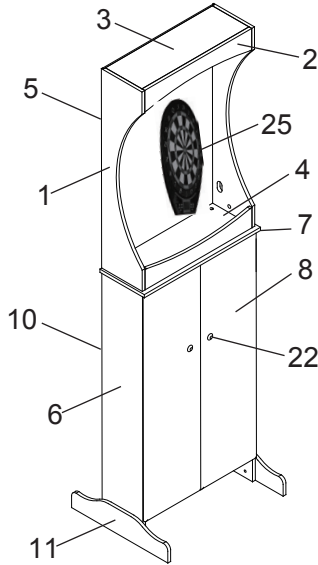
AC adapter, extra tip replacements, wall mounting hardware and manual included



Two sets of nickle finished hinges and two cabinet magnets to secure door

OUTLAW FREE STANDING DART CABINET- NG1040

Spec Sheet



1	SIDE PANEL - TOP	5/8" MDF, 37" x 8.625"
2	CROSS BOARD	5/8" MDF, 22.75" x 4"
3	COVER PLATE - TOP	5/8" MDF, 22.75" x 7.75"
4	BASE PLATE	5/8" MDF, 22.75" x 7.75"
5	TOP BACK BOARD	1/8" MDF, 36.75" x 23.625"
6	SIDE PANEL - BOTTOM	5/8" MDF, 46.25" x 8.625"
7	COVER PLATE - BOTTOM	5/8" MDF, 24.75" x 9.5"
8	DOOR	1/2" MDF, 41.75" x 11.875"
9	STORAGE SHELF	5/8" MDF, 22.75" x 8.375"
10	BOTTOM BACK BOARD	5/8" MDF, 42" x 23.625"
11	LEG	5/8" MDF, 20.5" x 4.75"
12	DART HOLDER	3/4" MDF, 9" x 1"
13	HINGE	2.25", NICKLE FINISH
22	DOOR HANDLE	1" DIA., NICKLE FINISH
26,27	MAGNET & STEEL PLATE	2.25" X .5", NICKLE FINISH & BROWN ABS

All dimensions given are approx. and represent the size at the widest point of that dimension.

PARTS

#1 NGP5914L NGP5914R SIDE PANEL - TOP	#2 NGP5915 NGP59151 CROSS BOARD	#3 NGP5916 COVER PLATE - TOP	#4 NGP5917 BASE PLATE	#5 NGP5918 TOP BACK BOARD	#6 NGP5919L NGP5919R SIDE PANEL - BOTTOM	#7 NGP5920 COVER PLATE - BOTTOM
#8 NGP5921L NGP5921R DOOR	#9 NGP5922 3 pc STORAGE SHELF	#10 NGP5923 BOTTOM BACK BOARD	#11 NGP5924 2 pc LEG	#12 NGP5925 2 pc DART HOLDER	#13 NGP5926 4 pc HINGE	#22 NGP5927 2 pc DOOR HANDLE
#25 NGP5929 ELECTRONIC DARTBOARD	#26 NGP59261 #27 2 pc MAGNET & STEEL PLATE					

HARDWARE - NGP5928

(sealed in individual numbered poly bags and then bagged as set)

#14 6 pc 1/4"x1" BOLT	#15 6 pc 1/4" WASHER	#16 16 pc 1/2" SCREW	#17 4 pc 1/2" FLAT SCREW	#18 4 pc 1" SCREW	#19 28 pc 3/4" FLAT SCREW	#20 35 pc GEAR
#21 35 pc THREAD BOLT	#23 1 pc ALLEN WRENCH	#24 4 pc 1-1/8" BOLT	#28 4 pc 5/8" SCREW	#29 4 pc 3/8" FLAT SCREW	ADDITIONAL EQUIPMENT REQUIRED: PHILLIPS HEAD SCREWDRIVER	