

INSTRUCTIONS FOR C4954

INSTRUCTIONS FOR DISENGAGING BELL MECHANISM (FIG. 1 & 2)

1. Push button (1) to open drawer. Pull drawer out until pivot stop (2), is seen (Fig. 1).
2. Using a screwdriver or knife, pull pivot stop (2) on left upward, while pulling right one downward until it clears body edge (Fig. 1).
3. Pull drawer out to clear pivot stop (2) and remove completely from body (Fig. 2).
4. Once drawer is removed, lift the trigger catch (3) up until it is engaged into the spring clip (4). The bell mechanism is now disengaged (Fig. 2).
5. To replace drawer back into the body, engage drawer onto the rollers (5), pull pivot stop (2) to clear body edge, push drawer into body until locked into position (Fig. 1).

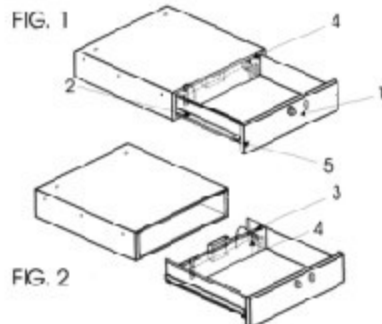
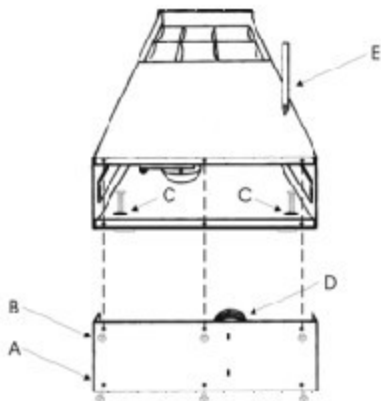


FIG. 3



ABOVE COUNTER CASH DRAWER MOUNTING INSTRUCTIONS (FIG. 3)

(Please read carefully before assembling)

1. Open front of cash drawer unit half way to relieve the pressure on the back piece (B). Remove all six screws from back piece of cash drawer unit and remove back panel. Set back piece and six screws aside. (These six 1/2" screws are not used for top mounting.)
2. Place template (on reverse) on mounting surface. Tape in position and drill two holes where marked ○. Remove template.
3. Place the cash drawer unit on surface and line up the drilled holes with the holes in the bottom of the cash drawer unit.
4. Place two 1" long screws (C) into the holes in the bottom of the cash drawer unit (and into the surface). Insert at least 4" long screwdriver (E) into hole on top of cash drawer unit and tighten screw securely. Follow same procedure for other screw.
5. Slip back piece back into place so that spring (D) does not touch bell mechanism. See drawing for reference. Replace screws and tighten securely.
6. Replace cash drawer unit and close cash drawer.

BELOW COUNTER CASH DRAWER MOUNTING INSTRUCTIONS (FIG. 4)

(Please read carefully before assembling)

1. Notice that the holes on one side of the angle bracket are larger than the holes on the other side. Line up the three small holes on side (B) of angle bracket 1 with the side of the cash drawer unit and insert three small 1/2" screws. Tighten securely with a screwdriver. Repeat on angle bracket 2.
2. Tape template (see reverse side) against under counter surface where the cash drawer is to be mounted. Drill holes into surface where marked ○ on template. Remove template.
3. Hold cash drawer firmly against mounting surface, lining up holes on side A of both angle brackets with holes drilled. Insert three 1" screws into each angle bracket and tighten securely with a screwdriver.

