

Installation Guide 6976

Installation Instructions for KM 1057 Uni Pro Seat & Suspension in Case IH Tractors with an Open Flat Floor

731 Seat Top
PN: 8374

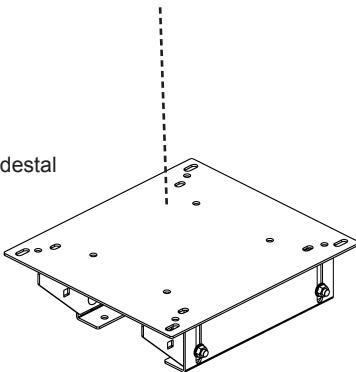


Optional
Swivel Kit
Available
PN: 5007

MSG95
Suspension
PN: 8078



Universal Pedestal
PN: 6004



1. Remove the original seat and suspension from the tractor.
2. Fasten the PED 6004 Universal Pedestal to the floor of the tractor with four 5/16" x 3/4" bolts and flange nuts.
3. Bolt the suspension assembly to the universal pedestal with four 5/16" x 3/4" bolts and flange nuts.
4. Bolt the seat and slide rail assembly to the suspension assembly. (Slide seat forward to access rear two holes and all the way back to access front two holes in slides.)
5. Locate a power source and connect the suspension to power and ground.