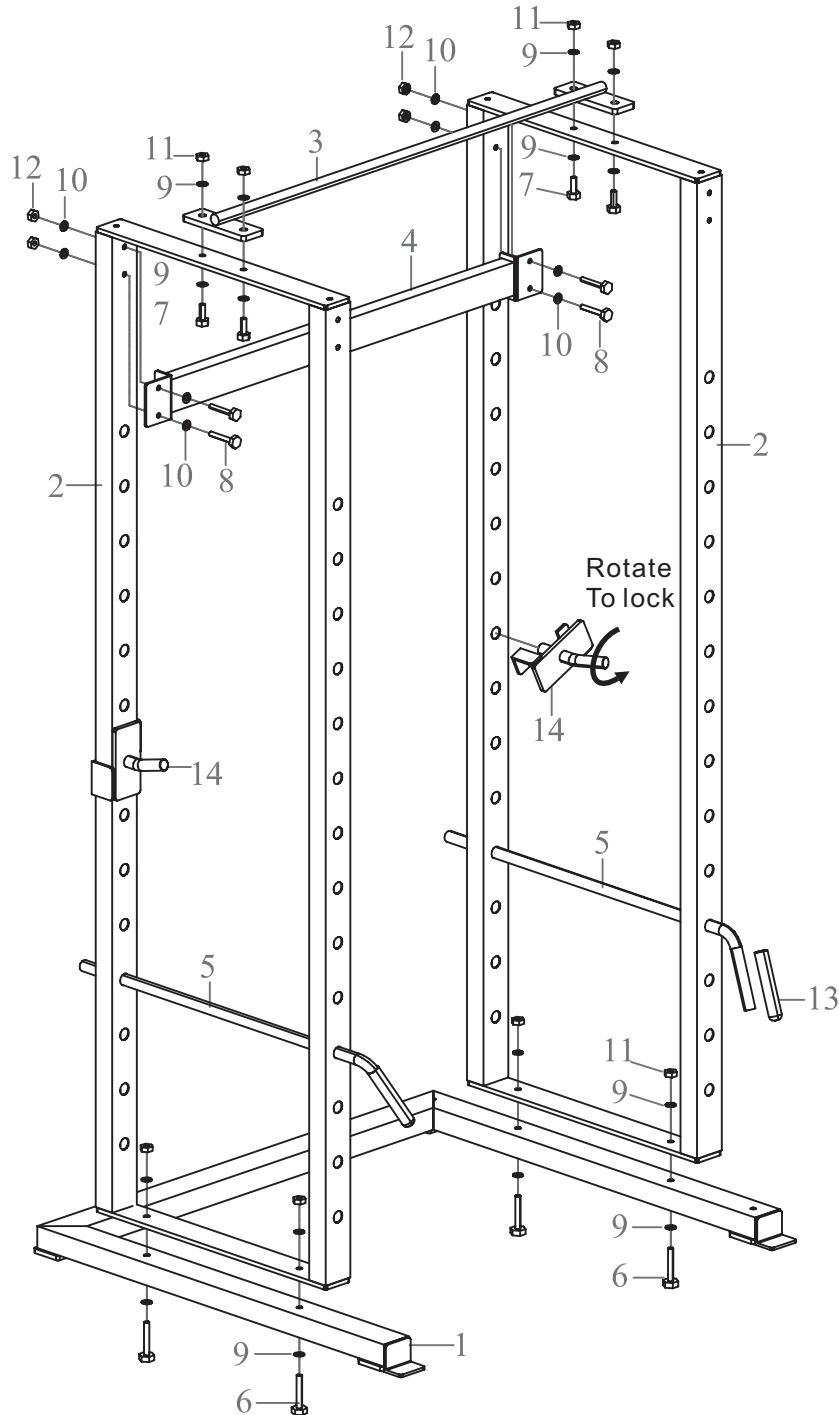


# POWER RACK 8109



ITEM	PART DESCRIPTION	QTY
1.	Base frame	1 ea
2.	Upright frame	2 ea
3.	Top cross bar	1 ea
4.	Rear cross brace	1 ea
5.	Safety bar	2 ea
6.	Hex bolt M12x80mm	4 ea
7.	Hex bolt M12x35mm	4 ea
8.	Hex bolt M10x70mm	4 ea
9.	Washer M12	16 ea
10.	Washer M10	8 ea
11.	Lock nut M12	8 ea
12.	Lock nut M10	4 ea
13.	Hand grip	2 ea
14.	Bar rest	2 ea

Metric wrenches 17mm & 19mm are required to assemble this rack.