

# Assembly Instructions



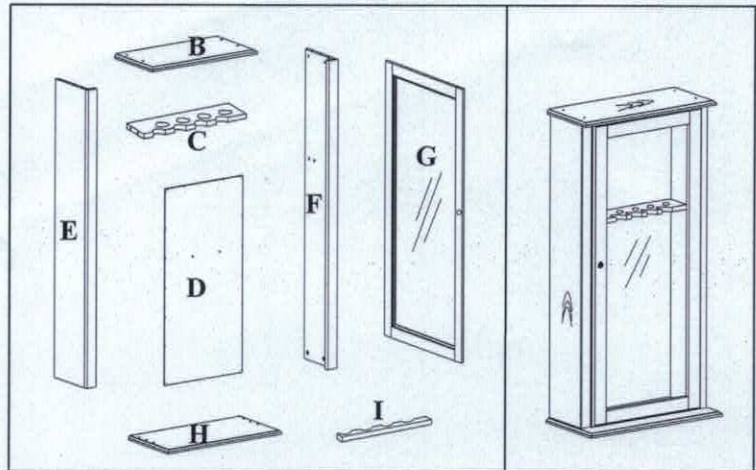
## 600 Gun Cabinet

### Components List:

#### Upper Cabinet

#### Upper Cabinet

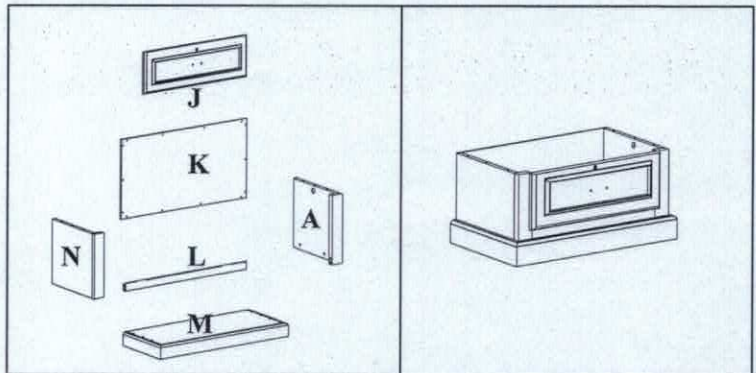
- B. Top Panel .....1pc
- C. Upper Barrel Rest.....1pc
- D. Upper Back Panel.....1pc
- E. Left Side Panel.....1pc
- F. Right Side Panel.....1pc
- G. Door Panel.....1pc
- H. Drawer Top Panel.....1pc
- I. Lower Barrel Rest .....1pc



#### Lower Cabinet

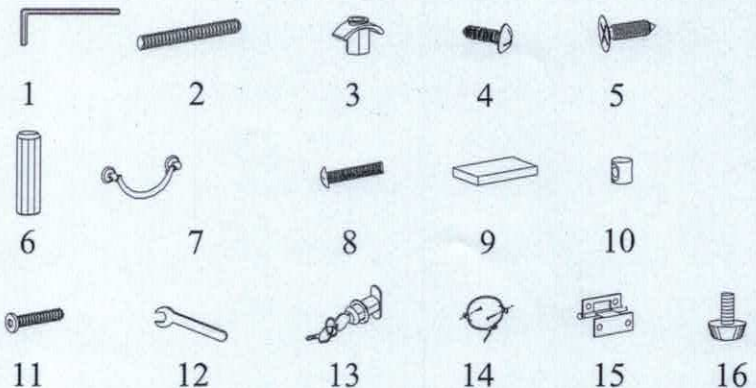
- J. Front Panel With Lock.....1pc
- K. Bottom Back Panel .....1pc
- L. Bottom Front Rail ..... 1pc
- M. Bottom Panel .....1pc
- N. Left Side Panel .....1pc
- A. Right Side Panel .....1pc

#### Lower Cabinet



### Hardware List:

- 1. "L" Wrench .....1pc
- 2. Threaded Pin: .....2pcs
- 3. Arch Nut: .....2pcs
- 4. Round Head Wood Screw: .....33pcs
- 5. Flat Head Hinge Screw:.....20pcs
- 6. Dowel: .....22pcs
- 7. Drawer Pull .....1pc
- 8. Pull Screw:.....2pcs
- 9. Door Spacer Block:.....1pc
- 10. Metal Bullet:.....10pcs
- 11. Machine Screw: .....8pcs
- 12. Wrench.....1pc
- 13. Keys.....2pcs
- 14. Tipping restraint.....1pcs
- 15. Hinges.....5pcs
- 16. Leveler.....4 pcs

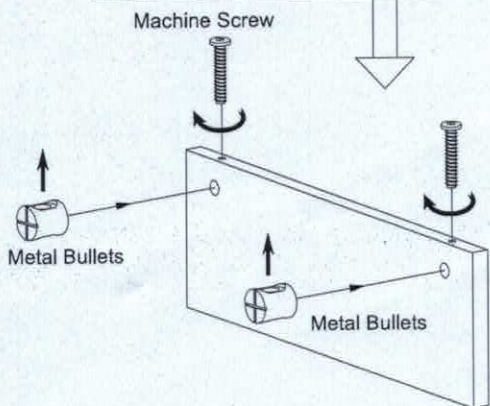


Post Office Box 111 - Webb City, Missouri 64870 - 0111  
 Toll Free - 888 - 673 - 9080  
 Fax - 417 - 673 - 9081  
 To order replacement parts online please visit:  
[www.AmericanFurnitureClassics.com](http://www.AmericanFurnitureClassics.com)  
 or Email :  
[service@americanfurnitureclassics.com](mailto:service@americanfurnitureclassics.com)

# Assembly Instructions: 600 Gun Cabinet

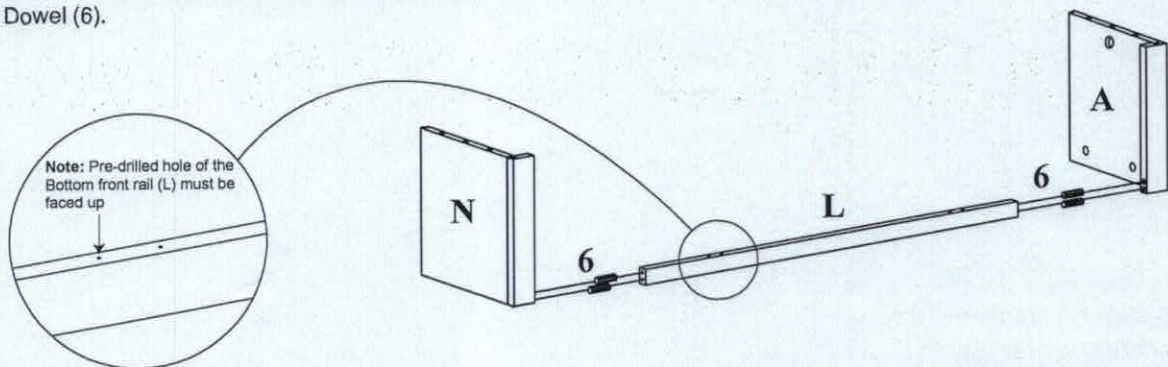
Unpack carton on a clean, smooth surface and inventory parts.

Important: Always Insert Metal Bullets so that the X in the end of the Bullet faces out of the holes and that the Threaded Hole is turned vertically for alignment with Machine Screws.



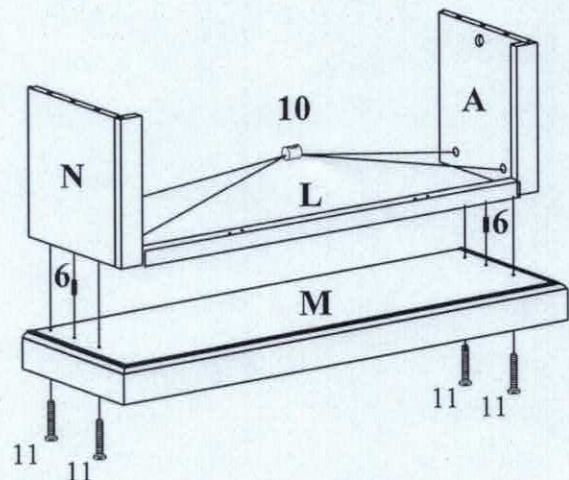
## Step 1

**Step 1:**  
Attach Left & Right Side Panel (N & A) to the Bottom Front Rail (L) by inserting Dowel (6).



## Step 2

**Step 2:**  
Attach the assembled unit completed in Step 1 to the Bottom Panel (M) by inserting Dowel (6) into the non-threaded holes. Insert Machine Screw (11) through the bottom of Bottom Panel (M) and into the Metal Bullet (10) inserted into the small holes in Side Panel (N & A). Tighten the Machine Screw (11) using the "L" Wrench (1).



# Assembly Instructions: 600 Gun Cabinet

## Step 3:

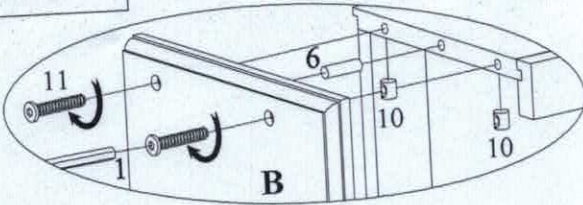
Insert the Dowel (6) into the holes on the Bottom side of the Top panel (B) and into the Left side panel (E) and Right side panel (F).

Insert Machine screw (11) through the Top panel (B) and into the Metal bullet (10) inserted into the Left side panel (E) and Right side panel (F). Note: Do not tighten machine screws (11).

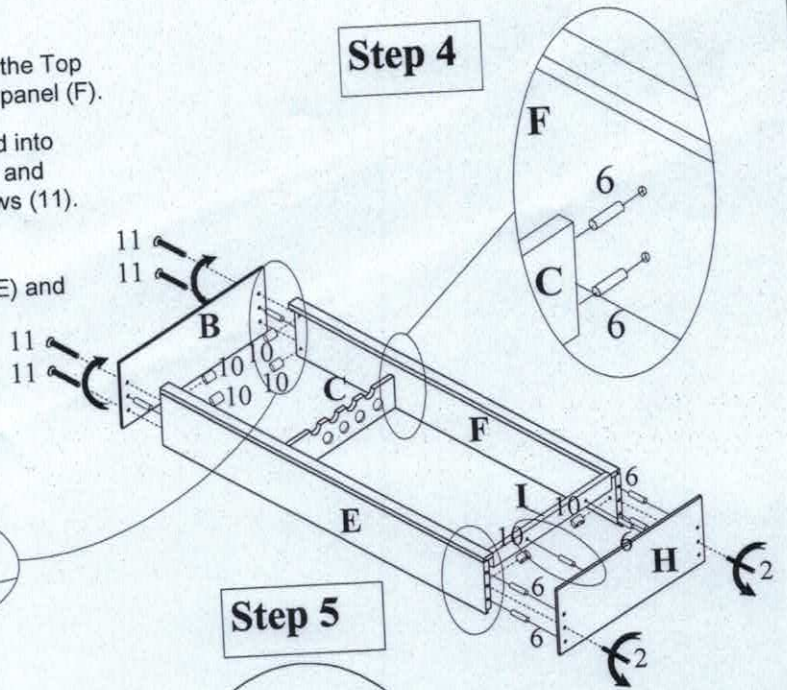
## Step 4:

Attach the Upper barrel rest (C) to the Left side panel (E) and Right side panel (F) by inserting dowel (6).

## Step 3



## Step 4



## Step 5:

Insert Dowel (6) into the holes on the top of Drawer top panel (H) and into the Left side panel (E) and Right side panel (F).

Insert Threaded pin (2) through the bottom of Drawer top panel (H) and into the Metal Bullet (10) inserted into the Left side panel (E) and Right side panel (F). Tighten threaded pin (2) by hand until it stops. Do not over tighten!

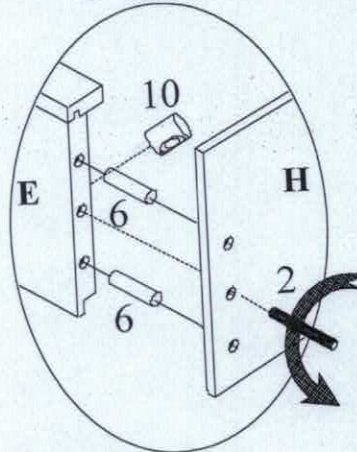
Note: Raw side of part (H) should be facing down.

## Step 6:

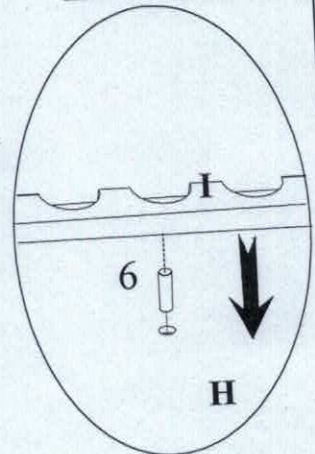
Attach the Lower barrel rest (I) to the Drawer top panel (H) by inserting dowel (6).

Tighten all the Machine screw (11) in Step 3 using the "L" wrench (1).

## Step 5



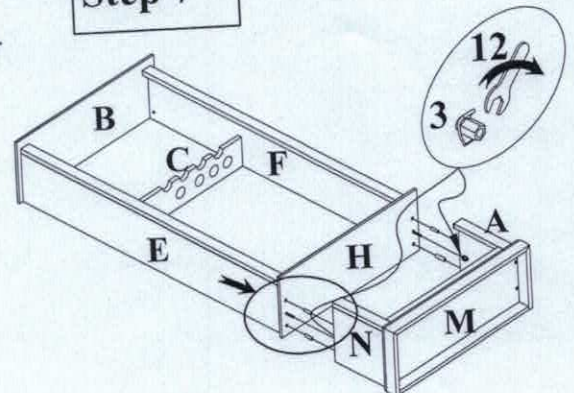
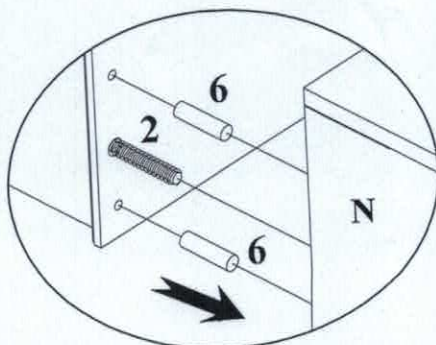
## Step 6



## Step 7:

Lay both Upper and Lower cabinets on their back on the floor. Slide the Upper and Lower cabinets together making sure that the Dowel (6) and the Threaded pins (2) align properly with the holes in the Lower cabinet side panels. Insert Acorn nut (3) into large holes on the inside of the Lower cabinet sides (N and A). Screw onto the Threaded pins (2) by hand then tighten fully by using Wrench (12).

## Step 7

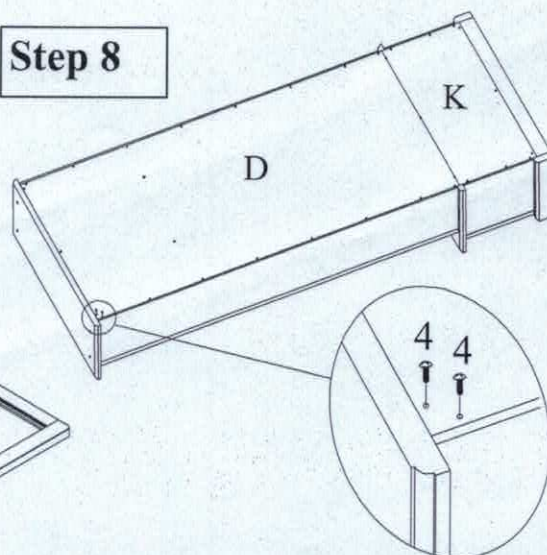


# Assembly Instructions: 600 Gun Cabinet

## Step 8:

Lay the face of the unit cabinet on the floor. Attach Upper back panel (D) and Bottom back panel (K) into pre-drilled holes on the back of the assembled Upper cabinet and Lower cabinet using round head wood screws (4). Tighten with Phillips head screwdriver (not provide).

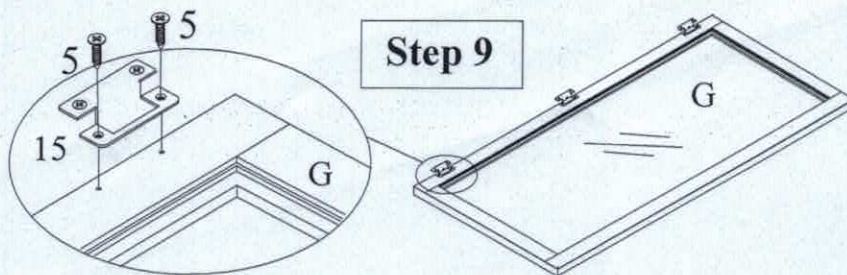
## Step 8



## Step 9:

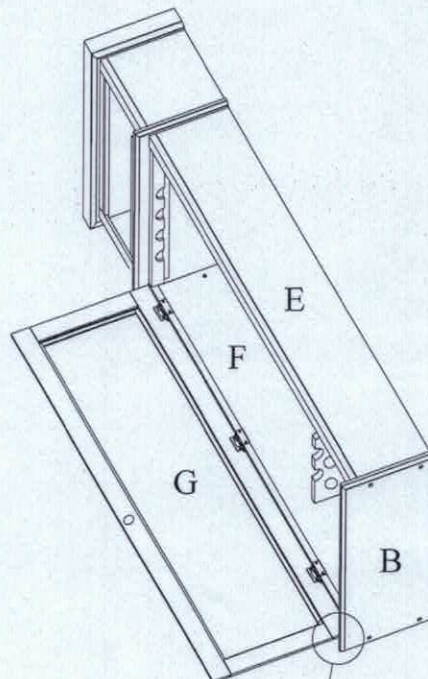
Align the holes on the Hinges (15) with the pre-drilled holes on the door panel (G). Insert flat head hinge screw (5) into the holes on the hinge (15) and tighten into the door panel (G).

## Step 9



## Step 10:

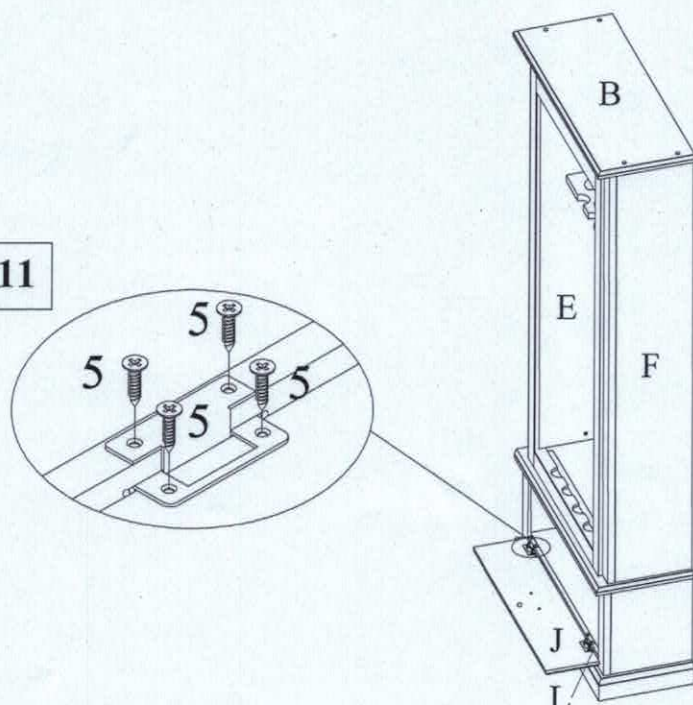
Lay Door panel (G) and unit cabinet as shown. Place the Door spacer block (9) in between the top panel (B) and the Door panel (G) for correct spacing. Align the holes on the Hinge (15) with the pre-drilled holes on the right side panel (F). Insert flat head hinge screws (5) through the holes of the pre-attached hinges and tighten into the Right side panel (F). Take off the door spacer block (9).



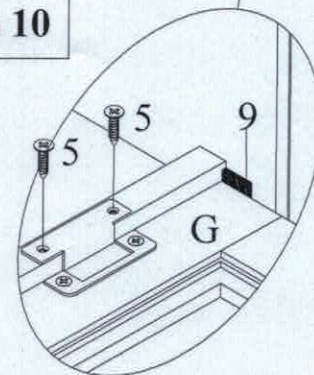
## Step 11:

Lay Front panel with lock (J) on top of Bottom front rail (L) in open position as shown. Insert Flat head hinge screw (5) through the holes of the pre-attached Hinges and tighten into the Front panel with Lock (J) and Bottom front rail (L).

## Step 11

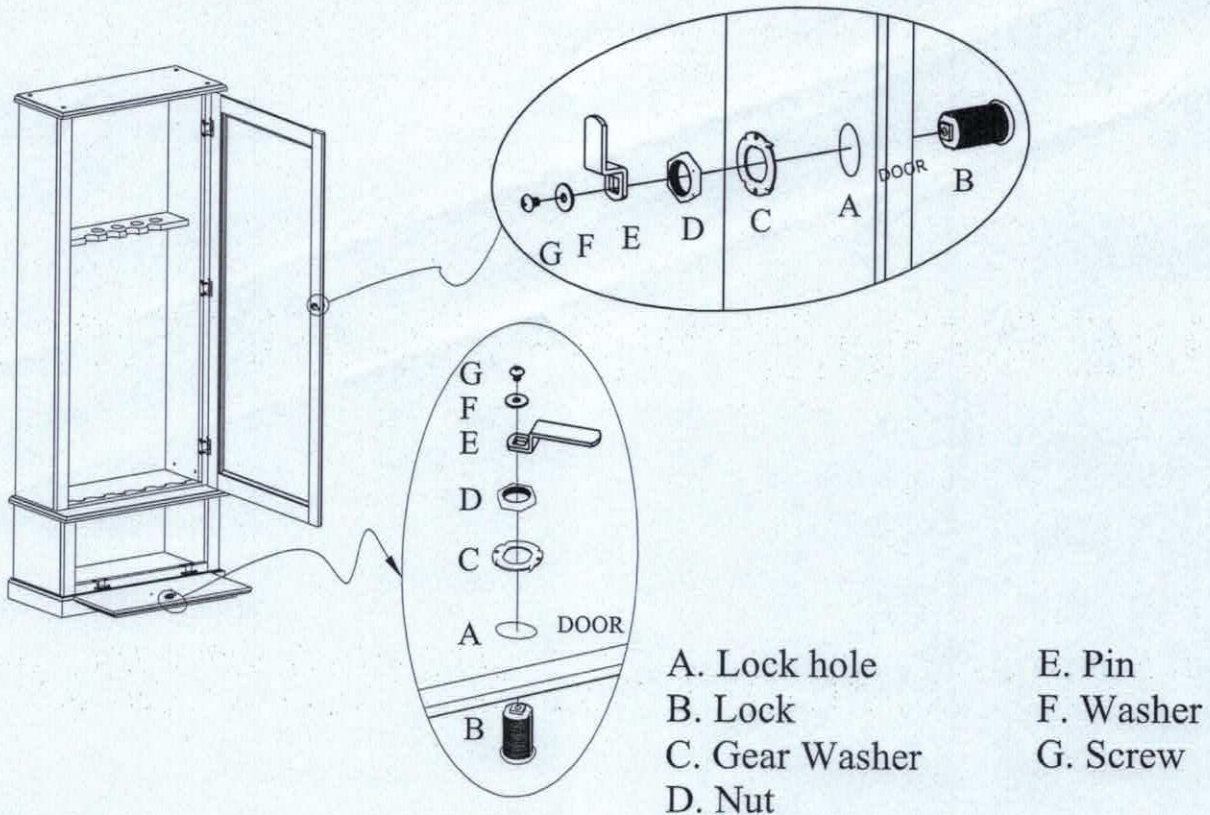


## Step 10



# Assembly Instructions: 600 Gun Cabinet

## Install the lock of the door



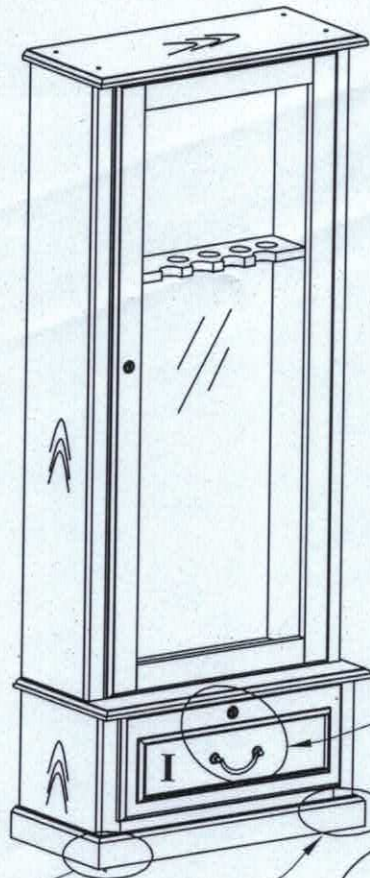
### Step 12:

1. Insert Lock (B) into the Lock Hole (A).
2. Put Gear Washer (C) on the Lock (B).
3. Screw Nut (D) on Lock (B).
4. Place Pin (E) onto Lock Barrel (B), make sure the rectangular hole on Pin (E) and on Lock Barrel (B) are aligned properly.
5. Place Washer (F) onto Lock Barrel (B) and insert Screw (G) into the end of Lock Barrel (B).
6. Tighten or loosen Screw (G) until Pin (E) fits tightly behind the back edge of the Door Frame when door is fully closed and lock is in locked position.

# Assembly Instructions: 600 Gun Cabinet

## Step 13:

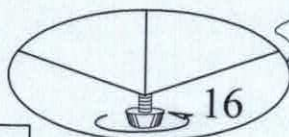
Attach Drawer Pull (7) onto the outside of Front Panel With Lock (J) using Pull Screw (8). Tighten with Phillips Head Screwdriver (Not Provided).



Step 13

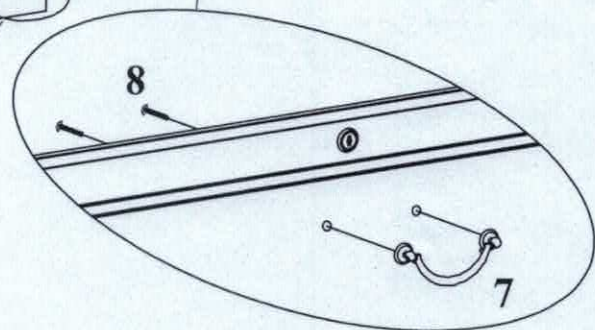
## Step 14:

Screw Leveler (16) into the bottom panel



Step 14

Adjustable leveler



Assembly is now complete.

For extra safety we suggest you install the "Furniture Tipping Restraint" Provided in the separate hardware bag.