



**LARGE PUSH BUTTON  
SWITCH FOR TABLE SAWS  
35A/20A - 120V/230V  
SINGLE PHASE**

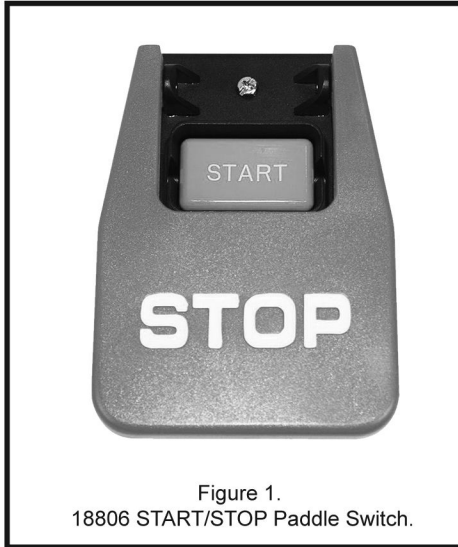


**PART# 18806**

**WARNING!**

To reduce risk of serious burns, electrocution or death when installing this switch:

- Only use this switch to replace an existing machine switch that has the same physical configuration and equivalent electrical specifications / ratings.
- Installation must only be performed by an electrician or qualified service personnel, and all applicable electrical codes must be adhered to.
- Turn OFF and completely disconnect all power sources to the machine before installing the switch.
- Do not use this switch in wet or damp locations, or near explosive fumes or flammable liquids. It is not sealed or rated for these environments.
- Make sure there is a verified machine ground on the circuit this switch is installed.

**INTRODUCTION**

The Model 18806 features a recessed ON button that can be disabled with a padlock, and a large STOP paddle that ensures fast shut-off.

**SPECIFICATIONS**

Rated Voltage Range.....	120V/230V
Rated Current @ 125V.....	35A
Rated Current @ 230V.....	20A
Resistive Rating.....	600V/15A
Padlock Shaft Size.....	3/16"

**INSTALLATION**

When installing the 18806 switch, use the wiring diagram in Figure 2 to ensure proper wire connections.

**WARNING!**

This switch is intended to be connected to stranded wire with insulated crimp-type ring wire terminals.



All crimps must be "pull-checked" to ensure that wires are securely crimped and will not fall out with moderate tension or when exposed to normal machine vibration.

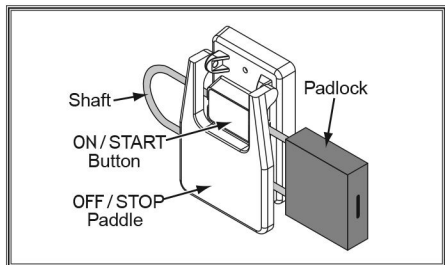


Figure 3. Switch Disabled by Padlock.

**WARNING!**

Children or untrained people can be seriously injured by this machine. This risk increases with unsupervised operation. To help prevent unsupervised operation, disable and lock the switch before leaving machine unattended! Place key in a well hidden or secure location.

**WARNING!**

The padlock shaft diameter is important to the disabling function of the switch. With any padlock used to lock the switch, test the switch after installation to ensure that it is properly disabled.

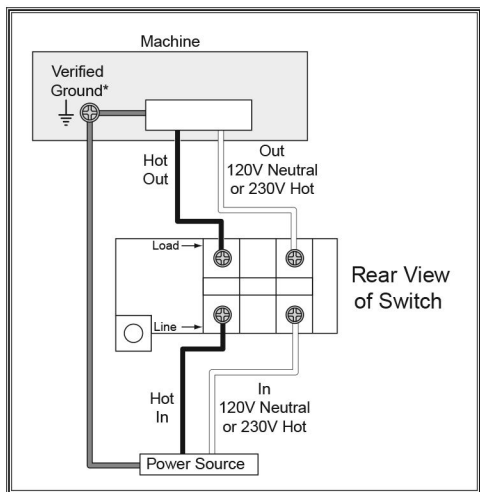


Figure 2. 18806 Wiring Diagram.

**DISABLING & LOCKING SWITCH**

The switch can be disabled and locked by inserting a padlock through the ON/START button, as shown. Locking the switch in this manner can prevent unauthorized operation of the machine, which is especially important if the machine is not stored inside an access-restricted building.

**IMPORTANT:** Locking the switch with a padlock only restricts its function. It is not a substitute for disconnecting power from the machine when adjusting or servicing.

