



## **DOOR LOCKER JIG**

# **DOOR LOCK INSTALLATION KIT INSTRUCTION MANUAL**



**70145**

## 1. PLACING JIG ON DOOR

Turn the thumb screw counterclockwise, loosen the wing nut to position the jig as per your requirements. Insert both bits into the jig, then slide the jig onto the door. Tighten the T-Handle until both jaws of the jig meet the door, then back-off the T-Handle slightly around one turn. Screw-in the thumb screw until it stops turning, then tighten the wing nut. Start tightening the T-Handle slowly & firmly but do not over tighten it. Make sure both jaws of the jig are parallel and gripping the surface of the door. If you see the jaws are not parallel with the surface of the door, start loosening the T-Handle and adjust the thumb screw to attain the parallel alignment.

**RECESSED POSITION:** The Jig can be used for 2-3/4" & 2-3/8" lock recessed position. Remove the recessed position screw (shown in fig.1) for 2-3/4" recessed position lock installation.

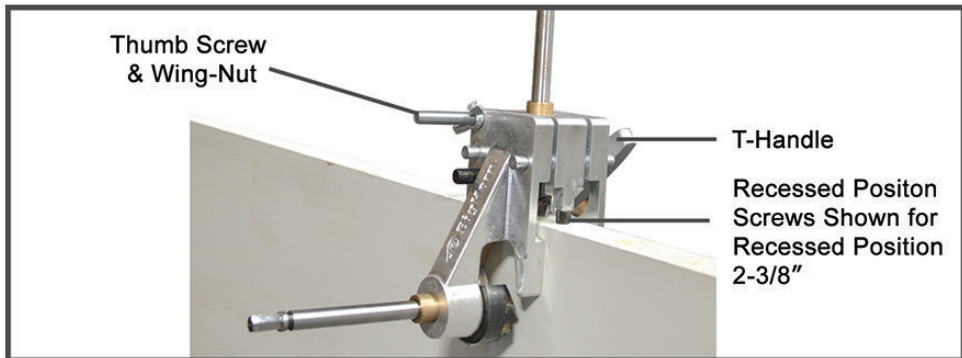


Figure 1

## 2. LOCK & LATCH HOLE

Fit the quick release adapter (70143) into your drill driver. Slide the chrome part of the adapter and place the 2-3/8" spur bit that is installed in the fixture. Start drilling through the door (cross bore). Stop drilling once you achieve the bore and remove the adapter from the bit by sliding back the chrome part of the adapter. Now install the adapter onto the 1" spur bit and drill latch hole (edge bore). Drill the hole in several steps, don't go hard at it. Pulling the bit back to remove the sawdust is normal.

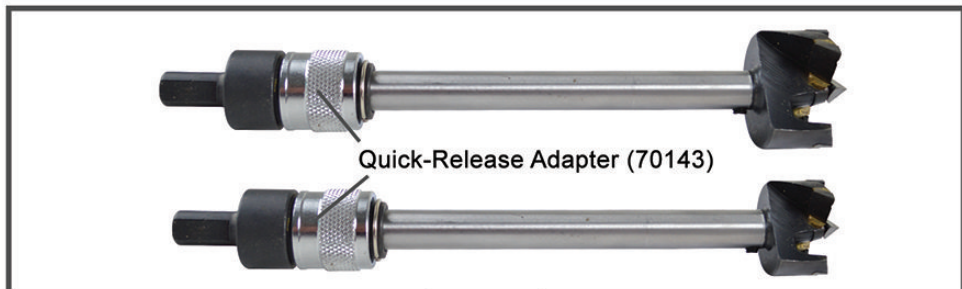


Figure 2

### 3. LATCH FACE MORTISING

Select the right size of center locator (Figure 3) for the latch size you are installing. Fit it onto the 1" hole that is already drilled at the edge of the door (Figure 4). Place the latch template (Figure 5) over the center locator, align template with door, adjust the red 'edge stop' on the back side of the template so it can touch the edge of the door and hold the template with alignment. Hammer the nails into the door, take away the center locator. Complete the mortise with your router.

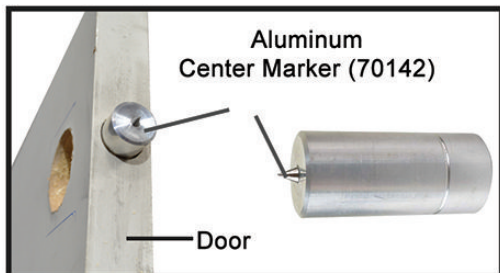
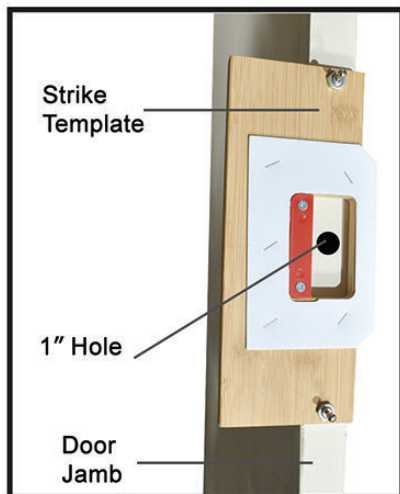

**Figure 3**

**Figure 4**

**Figure 5**

### 4. STRIKE PLATE INSTALLATION

Once the door is hung on the Jamb, place the center marker (70142) as shown in (Figure 6) into the latch bore. Closed the door & apply pressure on the back of the center marker, push the point of the center into the jamb face. The mark is the starting point for 1" hole that will be drilled on the face of the jamb. Start drilling the 1" hole into the jamb about 3/4" deep as shown in (Figure 7). Select the correct center locator, place it into 1" hole that you just made. Install the correct strike template over the center locator & adjust it for the right back-space using the plastic stops located on the back side of the template. Fasten the template to the jamb using the nails on the template. Take away the center locator and use your router to mortise the jamb.


**Figure 6**

**Figure 7**

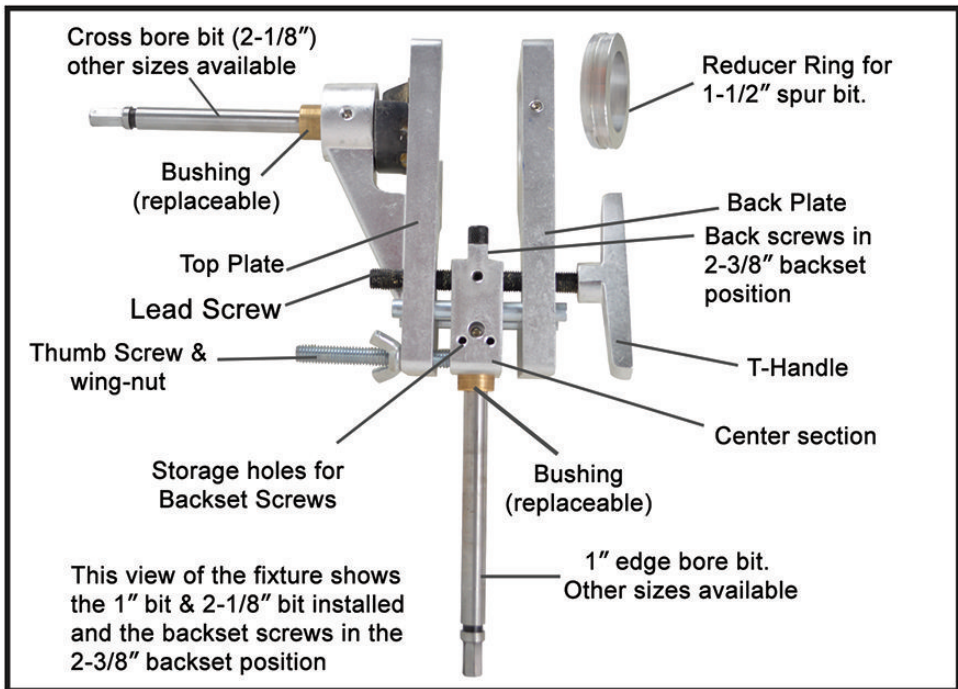


Figure 8

### Information & Tips:

- The templates in this kit require the use of a 1/2" router bit and a 5/8" outside diameter template guide on your router.
- Keep the boring bits sharp, don't push harder to make the bit dull. This will cause wear on the bushings (70141) and may cause the bits to break.
- Use the Quick-Release Adaptor (70143) to drive the boring bits. Do Not chuck them directly into the slow speed drill motor. Never use them in a Drill-Press!
- A drop or two of light oil on the bushings (70141) after every five doors will extend the life of the bushings and the fixture.