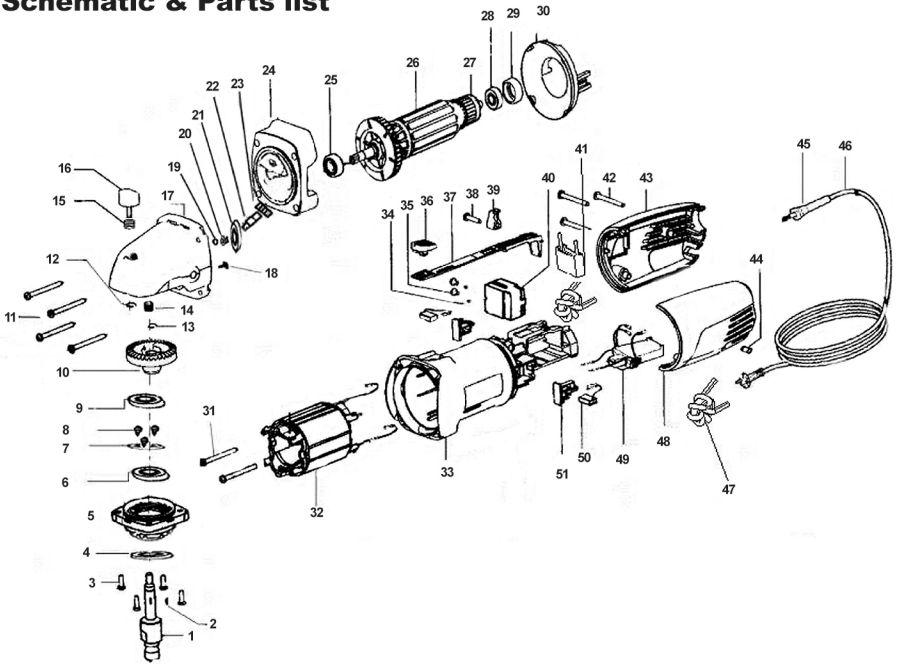


Schematic & Parts list



S.No.	Description	Qty.	S.No.	Description	Qty.
1	Output Shaft	1	26	Rotor	1
2	Woodruff Key	1	27	Rotor Axis	1
3	Front Cap Screw	4	28	Bearing	1
4	Dust Cap	1	29	Bearing Housing	1
5	Front Cover	1	30	Wind Cover	1
6	Bearing	2	31	Screw	1
7	Gland	1	32	Stator	1
8	Gland Screw	3	33	Housing	1
9	Flat Washer	1	34	Flat Washer	1
10	Gear (big)	1	35	Screw	1
11	Screw	1	36	Switch Lever Button	1
12	Clamp Spring For Self-Locking	1	37	Switch Lever	1
13	Clamp Spring For Output Shaft	1	38	Screw	1
14	Roller Pin	1	39	Cable Disc	1
15	Self-lock Spring	1	40	Switch	1
16	Self-Lock	1	41	Capacitor	1
17	Gear Cap	1	42	Screw	1
18	Screw	2	43	Rear Cover	1
19	Clamp Spring	1	44	Screw	2
20	Gear (small)	1	45	Cable Sleeve	1
21	Bearing	1	46	Cable	1
22	Gear Case Spindle	1	47	Inductor	2
23	Spur Gear (small)	1	48	Rear Cover	1
24	Bearing Retainer	1	49	Speed Control Switch	1
25	Bearing	1	50	Carbon Brush	1
			51	Copper Brush Holder	1