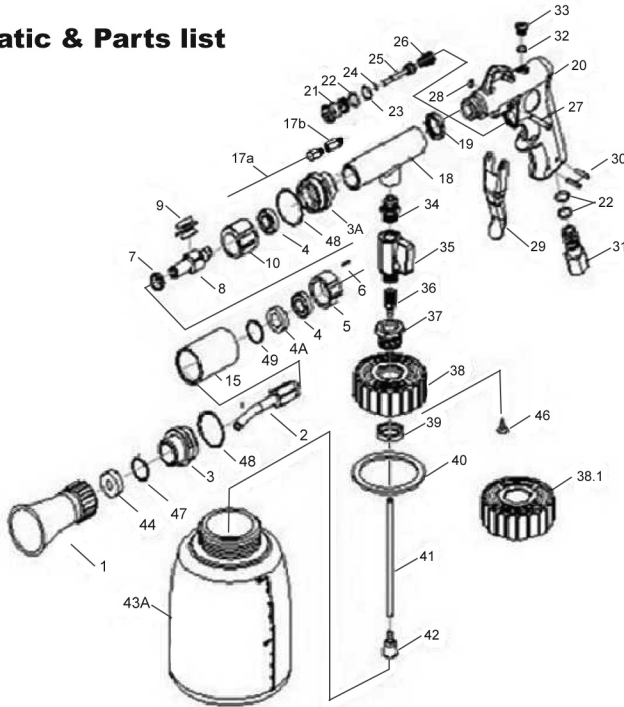


Schematic & Parts list



S.No.	Description	Qty.	S.No.	Description	Qty.
1	Nozzle	1	29	Trigger	1
2	Alu.Tube	1	30	Spring Pin	2
3	Lock Nut	1		Air Inlet(1/4"-18NPT)	
3A	Lock Nut	1	31	Air Inlet(1/4"-19PT)	1
4	S688ZZ Bearing	2		Air Inlet(1/4"-19PF)	
4A	Dust Proof Washer	1	32	O-Ring	1
5	Front Plate	1	33	Screw	1
6	Pin	1	34	Screw	1
7	Spacer	1	35	Switch Valve Set	1
8	Rotor	1	36	Screw	1
9	Blade	4	37	Screw	1
10	Cylinder	1	38	Cap (a hole)	1
15	Aluminium Main Body	1	38.1	Cap (no hole)	1
17A	Teflon Kit	1	39	Nut	1
17B	Teflon Screw	1	40	Packing	1
18	Controller Cap	1	41	Tube	1
19	Nut	1	42	Bushing	1
20	Housing	1	43A	Cup	1
21	Nut	1	44	Muffer	1
22	O-Ring	3	46	Rubber	1
23	O-Ring	1	47	O-Ring	1
24	O-Ring	1	48	O-Ring	2
25	Valve Stem	1	49	O-Ring	1
26	Spring	1	RK	Repair Kit Ref. No.4 ,9,	
27	Pin	1	SK	"Service Kit Ref. No.47,48,22,	
28	E-Ring	1		24,26,32,41,42"	