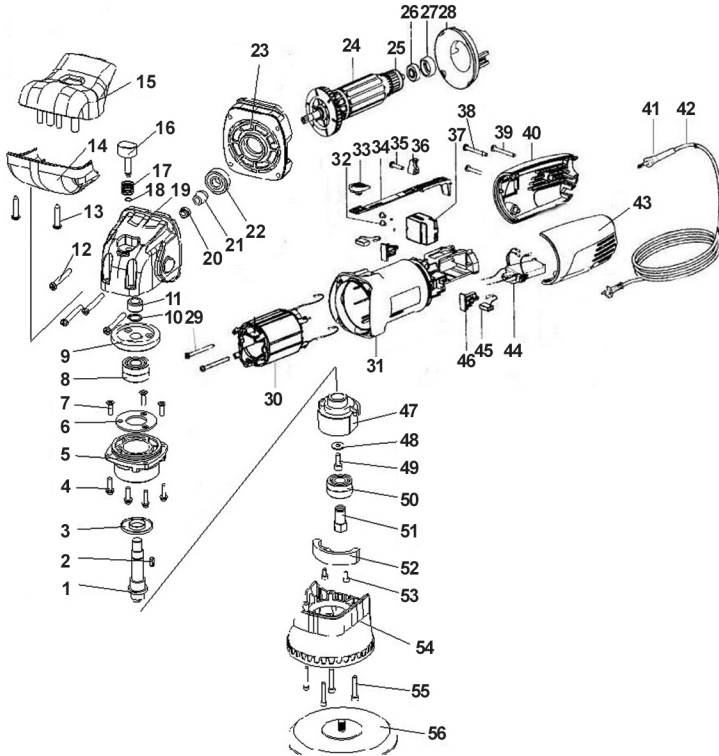


Schematic & Parts List



S.No.	Description	Qty.	S.No.	Description	Qty.
1	Output Shaft	1	30	Stator	1
2	Woodruff Key	1	31	Housing	1
3	Dust Cap	1	32	Screw	4
4	Screw	4	33	Thumb Button	1
5	Front Cover	1	34	Push Lever	1
6	Gland	2	35	Screw	2
7	Screw	3	36	Cable Disc	1
8	Bearing	2	37	Switch	1
9	Gear (big)	1	38	Screw	1
10	Clamp	1	39	Screw	1
11	Quill Roller	1	40	Back Framer (right)	1
12	Screw	4	41	Cable Sheath	1
13	Screw	2	42	Cable	1
14	Gear Cap Housing (down)	1	43	Back Frame (left)	2
15	Gear Cap Housing (up)	1	44	Speed Controller	2
16	Self-lock Pin	1	45	Carbon Brush	1
17	Spring	1	46	Brush Holder	1
18	O-Ring	1	47	Upper Eccentric Mounting	1
19	Gear Cap	1	48	Washer	1
20	Screw	1	49	Screw	1
21	Gear (small)	1	50	Bearing	1
22	Bearing	1	51	Shaft	1
23	Bearing Retainer	1	52	Lower Eccentric Mounting	1
24	Rotor	1	53	Screw	2
25	Magnet Ring	1	54	Protective Cover	1
26	Bearing	1	55	Screw	4
27	Bearing Housing	1	56	Rotating Plate	1
28	Wind Cover	1			
29	Screw	1			