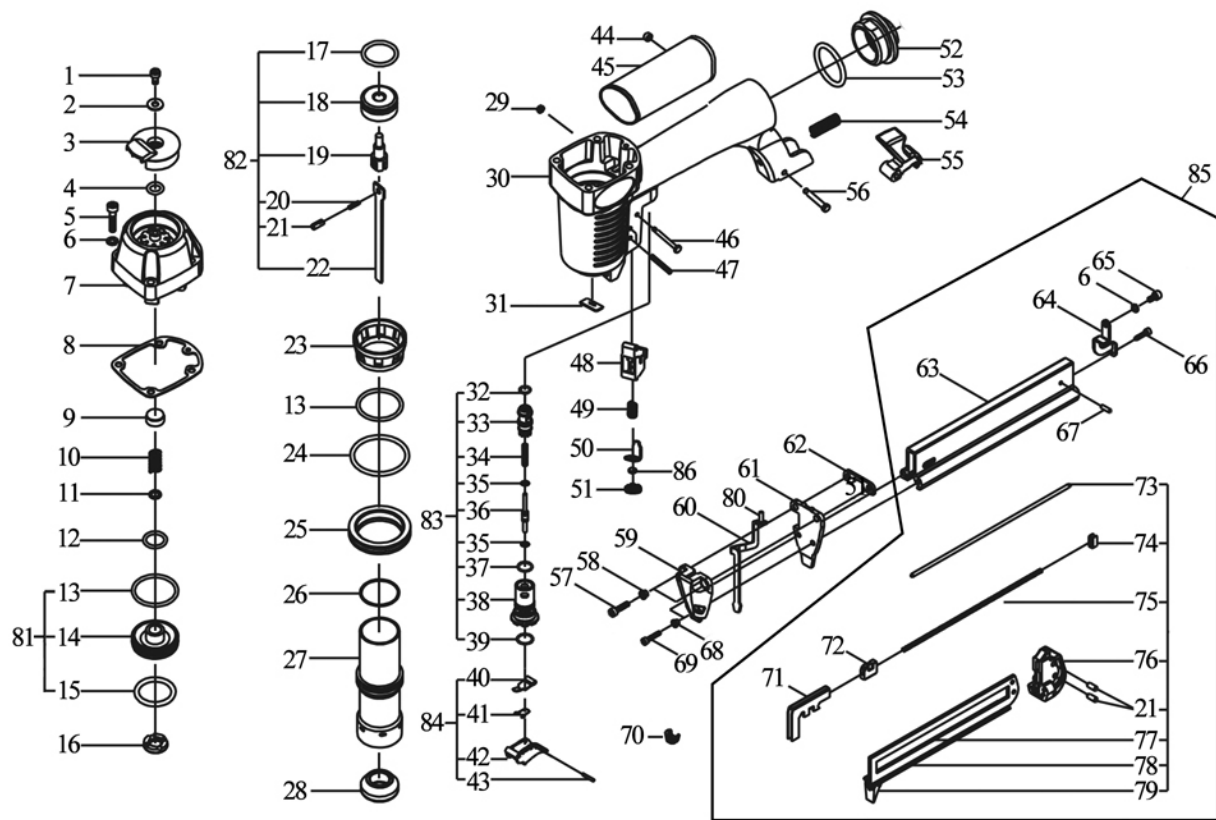


Air Locker

Model # NS150A



No.	DESCRIPTION	Qty.	No.	DESCRIPTION	Qty.	No.	DESCRIPTION	Qty.
1	Screw	1	31	Nozzle	1	61	Driver Guide	1
2	Washer	1	83	Trigger Valve Assembly	1	62	Spacer	1
3	Exhaust Valve Cover	1	32	O-ring	1	68	Spacer	2
4	O-ring	1	33	Upper Remote Housing	1	69	Pin	2
6	Washer	5	34	Spring	1	70	Grip	1
5	Screw	5	35	O-ring	2	85	Magazine Assembly	1
7	Cylinder cap	1	36	Remote Core	1	6	Washer	1
8	Gasket	1	37	O-ring	1	21	Spring Pin	1
9	Seal, Air	1	38	Remote Housing	1	63	Upper Magazine	1
10	Spring	1	39	O-ring	1	64	Magazine Support	1
11	Washer	1	84	Trigger Assembly	1	65	Screw	1
12	O-ring	1	40	Releasing Blade	1	66	Screw	1
81	Head Valve Piston Assembly	1	41	Spring	1	67	Pin	1
13	O-ring	2	42	Trigger	1	71	Pusher	1
14	Firing Valve Piston	1	43	Pin	1	72	Spring Holder	1
15	O-ring	1	44	Pin Retainer	1	73	Steel bar	1
16	Stopper	1	45	Grip	1	74	Stopper	1
82	Piston Assembly	1	46	Pin	1	75	Spring	1
17	O-ring	1	47	Spring Pin	1	76	Tail Cover	1
18	Piston Head	1	48	Safety Guide Frame	1	77	Base Plate of Nail Tank	1
19	Driver Blade Pin	1	49	Spring	1	78	Guide Plate	1
20	Spring Pin	1	50	Safety Upper	1	79	Front part	1
21	Spring Pin	1	51	Screw	1	80	Screw	1
22	Driver Blade	1	52	Tail Cover	1	86	Loop Retainer	1
23	Collar	1	53	O-ring	1			
24	O-ring	1	54	Spring	1			
25	Spacer	1	55	Click Lever	1			
26	O-ring	1	56	Pin	1			
27	Cylinder	1	57	Screw	2			
28	Bumper	1	58	Spacer	2			
29	Retaining Pin	1	59	Release Catch Cover	1			
30	Body	1	60	Safety Lower	1			