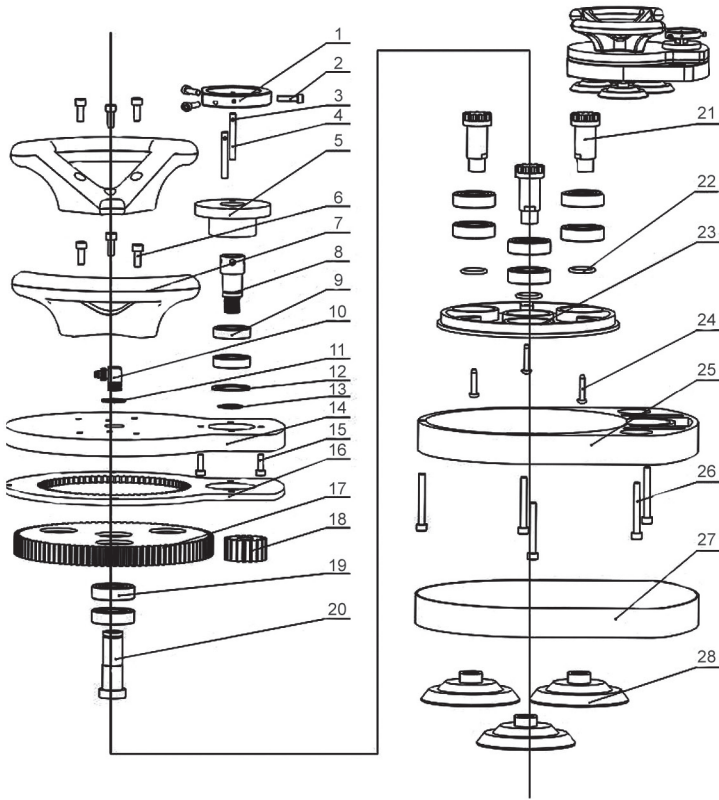


## Schematic & Parts List



S.No.	Description	Qty.	S.No.	Description	Qty.
1	Hoop	1	15	Screw	2
2	Screw	3	16	Gear ring	1
3	Screw	2	17	Plastic wheel	1
4	Guide pillar	2	18	Small gear	1
5	Bearing base	1	19	Bearing	8
6	Screw	6	20	Center shaft	1
7	Handle	2	21	Gear shaft	3
8	Output shaft	1	22	O-ring	3
9	Bearing	2	23	Gear cover	1
10	Water pipe adapter	1	24	Screw	3
11	Clamp	1	25	Lower plate	1
12	Inner clamp	1	26	Screw	5
13	Clamp	1	27	Adhesive belt	1
14	Upper plate	1	28	Polishing wheel	3