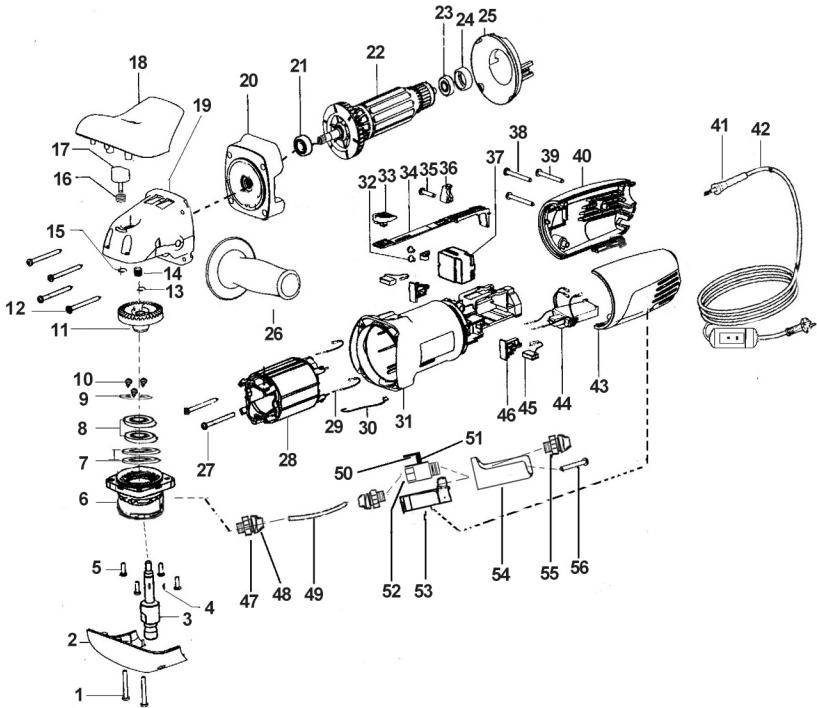


Schematic & Parts List



S.No.	Description	Qty.	S.No.	Description	Qty.
1	Screw	2	28	Stator	1
2	Low gear housing cover	1	29	Stator lead	1
3	Output shaft	1	30	Ground wire	1
4	Woodruff key	1	31	Main case	1
5-1	Screw	4	32	Screw	4
5-2	Washer spring	4	33	Pushbutton	1
5-3	Flat washer	4	34	Main Housing / Pull Rod	1
6	Front cover	1	35	Screw	2
7	Seal	2	36	Cable gland	1
8	Bearing	2	37	Switch	1
9	Gland	1	38	Screw	2
10	Screw	3	39	Screw	1
11	Big gear	1	40	Right rear cover	1
12	Screw	4	41	Cable sleeve	1
13	Check ring	1	42	Cable	1
14	Needle bearing	1	43	Left rear cover	1
15	Steel check ring	1	44	Speed controller	1
16	Self-lock spring	1	45	Carbon brush	2
17	Self-lock pin	1	46	Carbon brush holder	2
18	Upper gear housing cover	1	47	Waterpipe connection	1
19	Gear housing	1	48	Nut	2
20	Middle cover	1	49	Water pipe	1
21	Bearing	1	50	Wrench	1
22	Rotor	1	51	Nut	1
23	Bearing	1	52	Tap switch	1
24	Bearing cover	1	53	Fixed holder	1
25	Wind cover	1	54	Water retaining cover	1
26	Additional handle	1	55	Nut	1
27	Screw	2	56	Screw	1