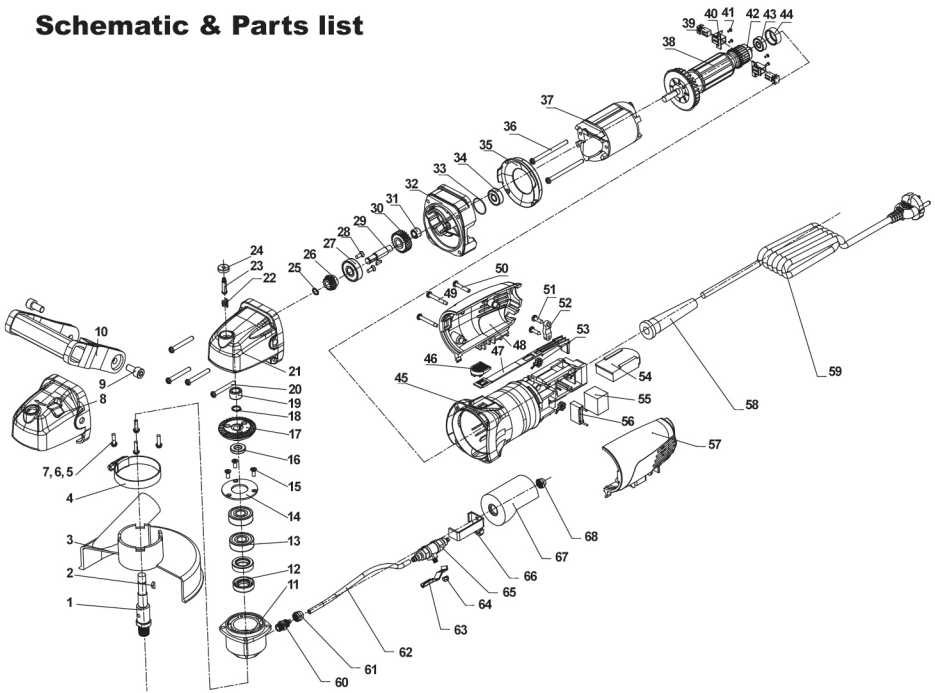


Schematic & Parts list



S.No.	Description	Qty.	S.No.	Description	Qty.	S.No.	Description	Qty.
1	Output Shaft	1	28	Screw	2	55	Switch	1
2	Woodruff Key	1	29	Axle	1	56	Capacitance	1
3	Splash Guard	1	30	Helical Gear	1	57	Rear Cover(left)	1
4	Collar	1	31	Bearing	1	58	Cable Sleeve	1
5	Screw	4	32	Bearing Retainer	1	59	Cable	1
6	Washer	4	33	O-Ring	1	60	Waterpipe Joint	1
7	Plain Washer	4	34	Bearing	1	61	Nut	1
8	Gear Cap	1	35	Wind Cover	1	62	Waterpipe	1
9	Screw	2	36	Screw	2	63	Adjustment Lever	1
10	Additional Handle	1	37	Stator	1	64	Nut	1
11	Gear Cover	1	38	Rotor	1	65	Faucet	1
12	Oil Seal	2	39	Carbon Brush	2	66	Holder	1
13	Bearing	2	40	Carbon Brush Holder	2	67	Water shield	1
14	Bearing Washer	1	41	Screw	4	68	Nut	1
15	Screw	3	42	Magnet Ring	1			
16	Gear Yube	1	43	Bearing	1			
17	Big Gear	1	44	Bearing Cover	1			
18	Clamp	1	45	Housing	1			
19	Needle Bearing	1	46	Thumb Button	1			
20	Screw	4	47	Switch Lever	1			
21	Gear Case	1	48	Rear Cover(right)	1			
22	Self-lock Spring	1	49	Screw	2			
23	Self-lock Pin	1	50	Screw	1			
24	Self-lock Cap	1	51	Screw	2			
25	Clamp	1	52	Cable Disc	1			
26	Small Gear	1	53	Inductance	2			
27	Bearing	1	54	Speed Controller	1			