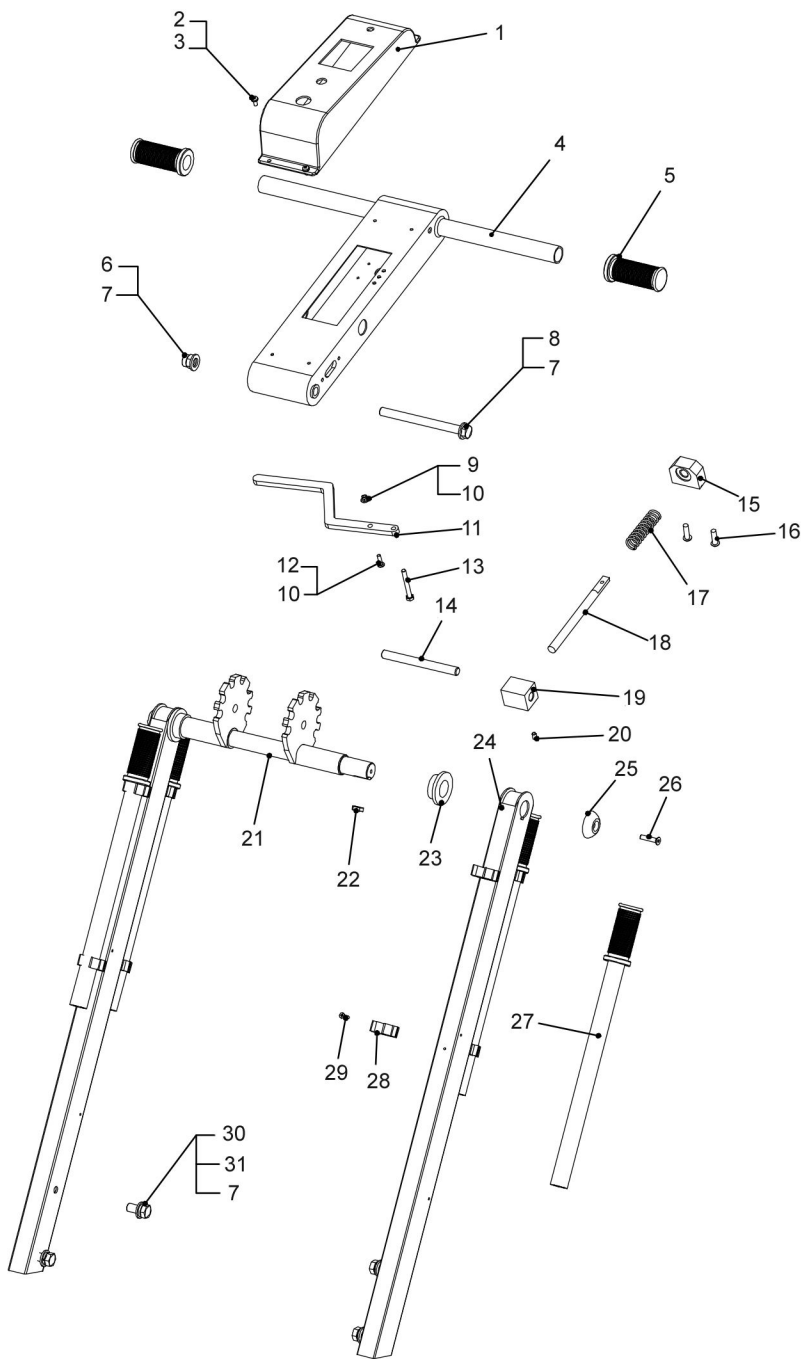


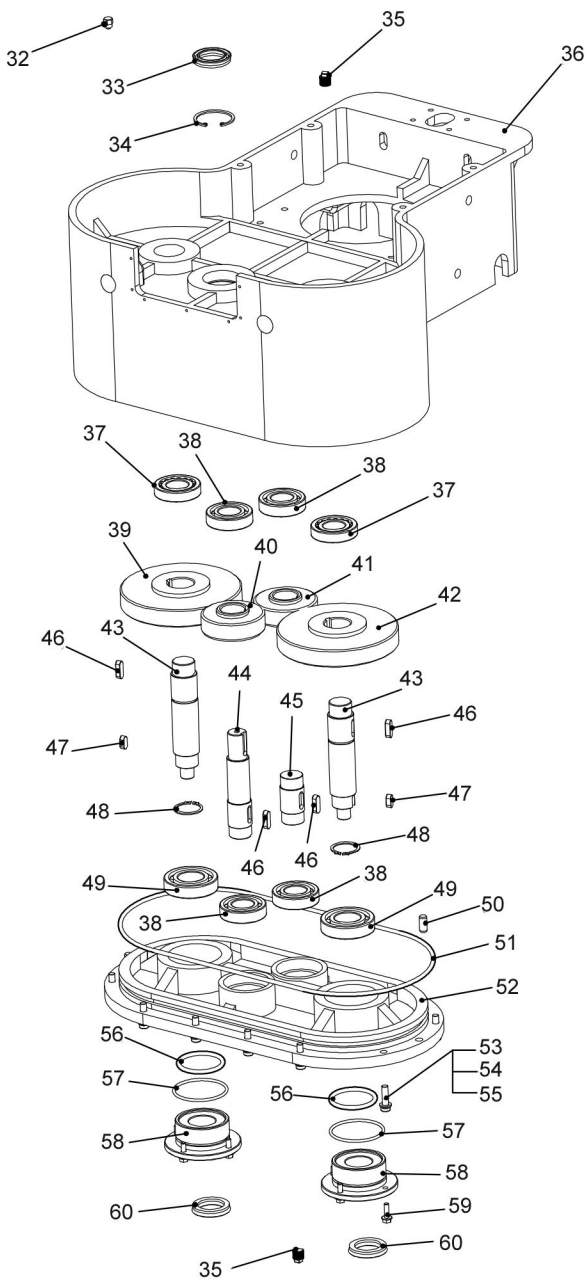


SCHEMATIC & PARTS LIST



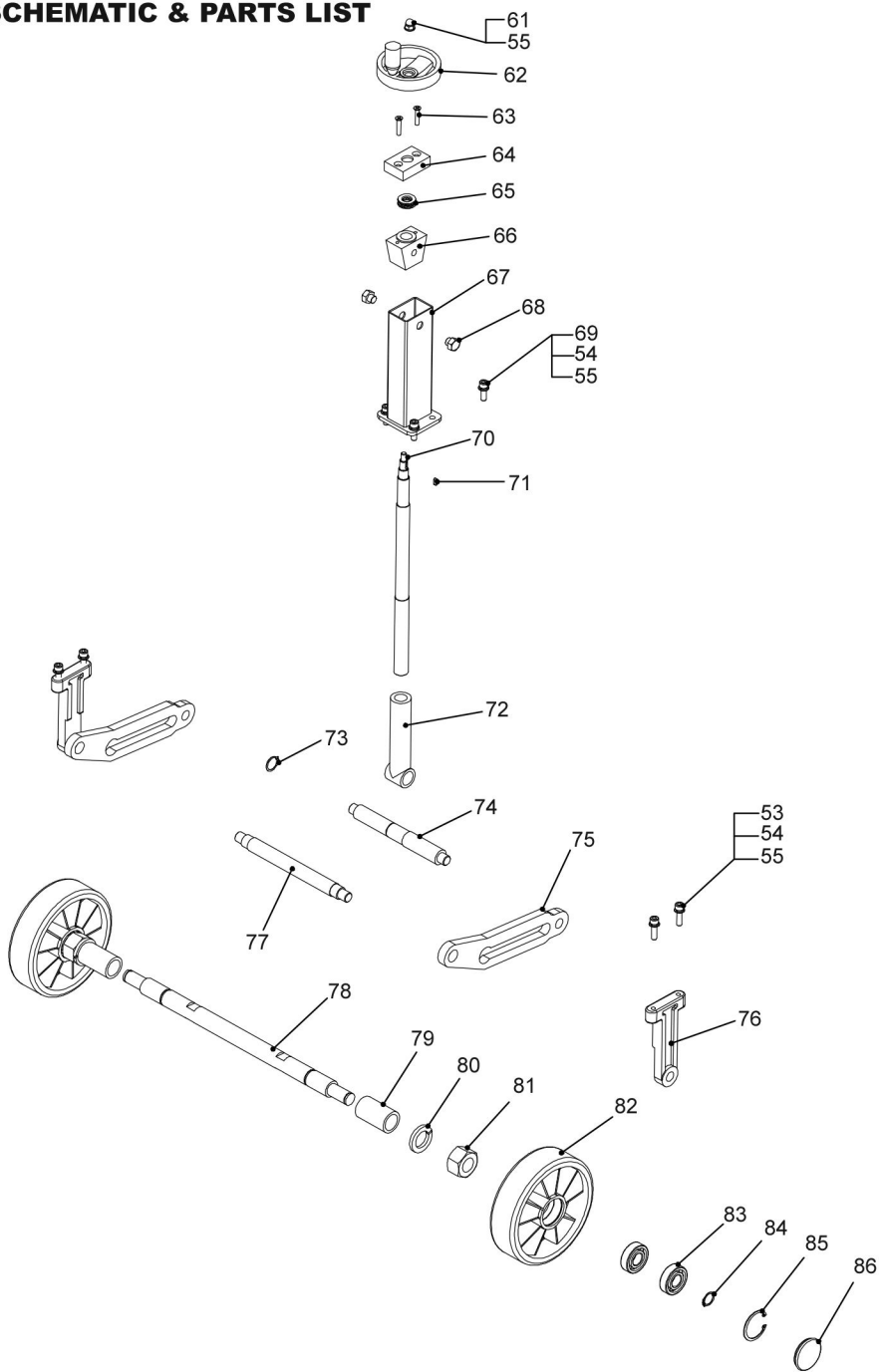


SCHEMATIC & PARTS LIST



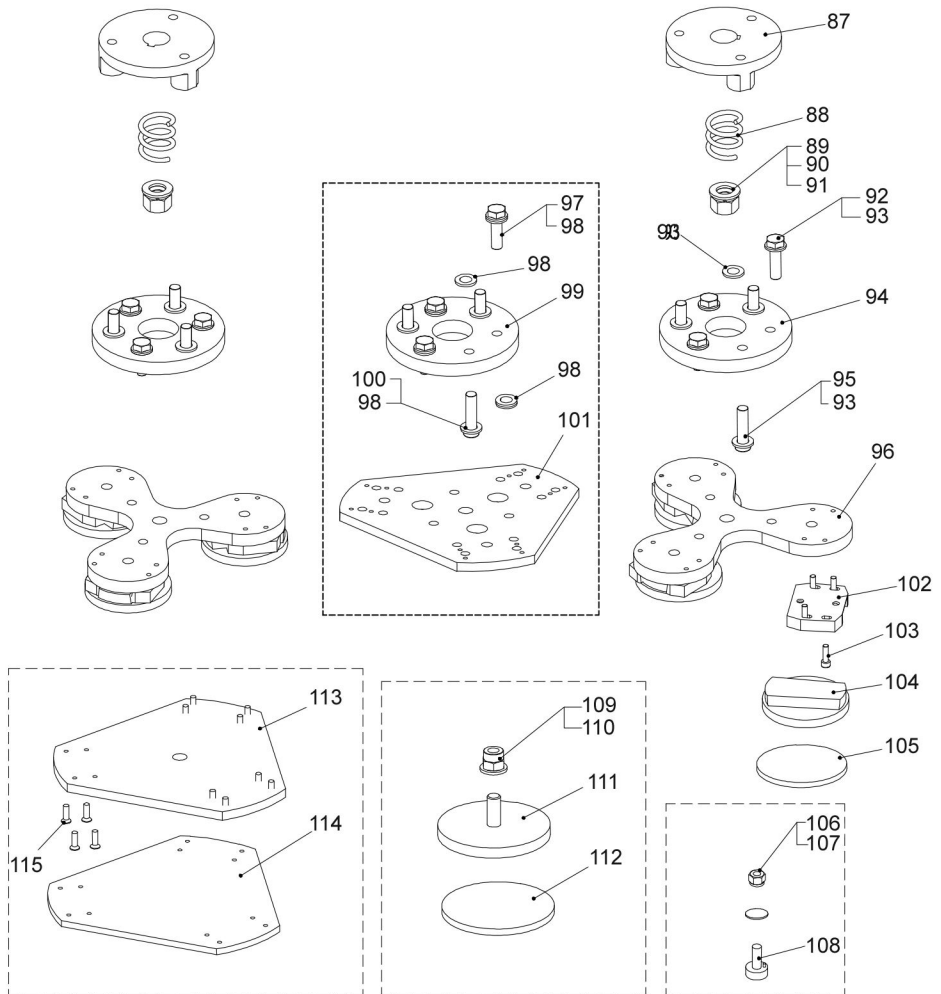


SCHEMATIC & PARTS LIST



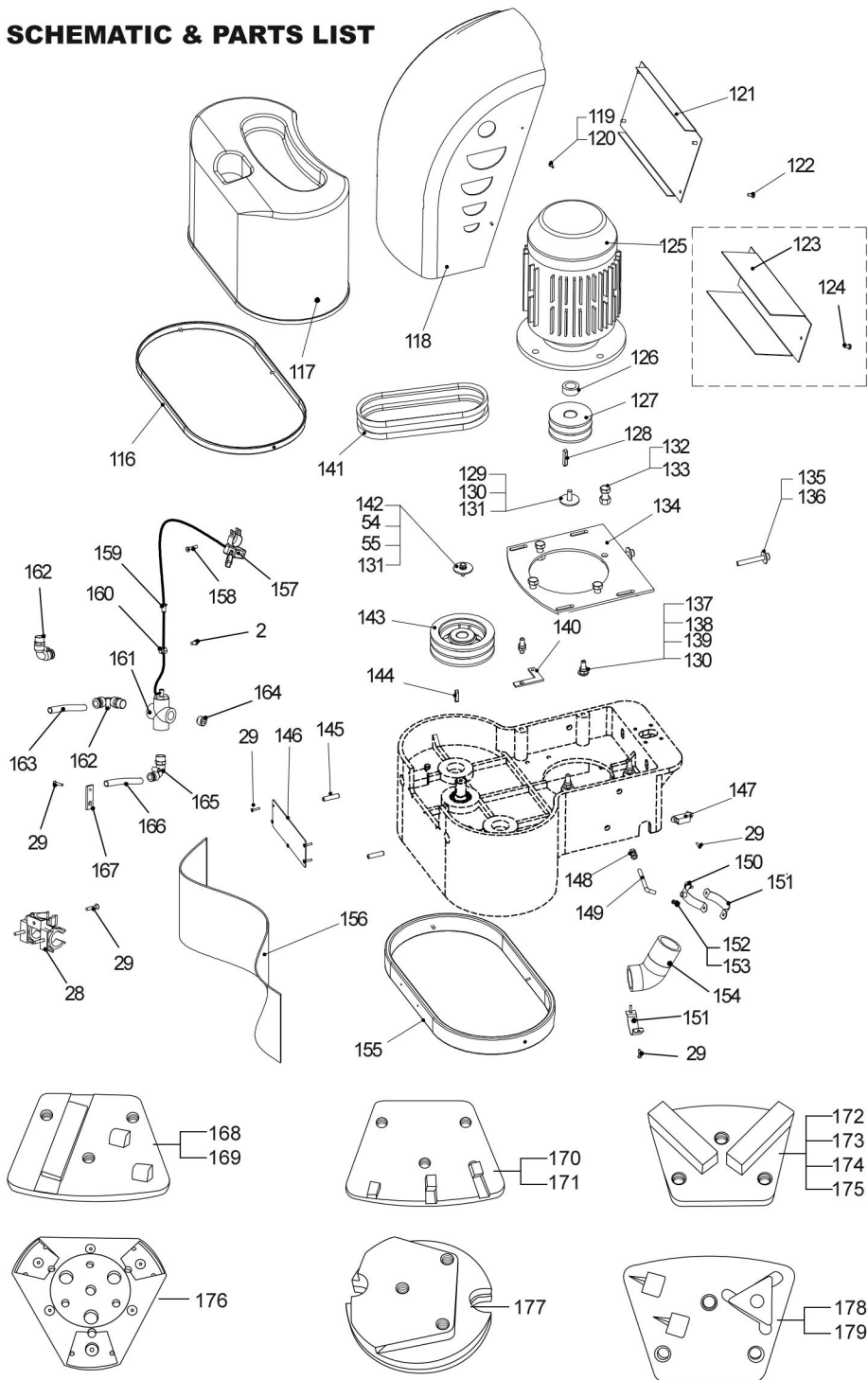


SCHEMATIC & PARTS LIST





SCHEMATIC & PARTS LIST



**SCHEMATIC & PARTS LIST**

S.No.	Description	Qty.	S.No.	Description	Qty.
1	Control Panel	1	55	Flat Gasket	1
2	Pan Head Screw	1	56	Iron Mat	1
3	Flat Gasket	1	57	O-Ring	1
4	Handle	1	58	Gear Case	1
5	Rubber Handle Grip	1	59	Hex Flange Bolts	1
6	Locknut	1	60	Grease Seal	1
7	Gasket	1	61	Cap Nut	1
8	Hex Bolt	1	62	Double Fold Handwheel	1
9	Locknut	1	63	Hex Screw	1
10	Gasket	1	64	Adjustable Bearing Seat	1
11	Handgrip	1	65	Bearing Seat	1
12	Hex Socket Cap Screws	1	66	Adjustable Holder Head	1
13	Hex Bolt	1	67	Adjustable Holder (Welding)	1
14	Hinge Pin	1	68	Lock Holder Head Bolts	1
15	Block	1	69	Hex Socket Cap Screws	1
16	Hex Socket Cap Screws	1	70	Adjustable Screw	1
17	Adjustable Spring	1	71	Flat Key	1
18	Pull Rod	1	72	Adjustable Screw Cover (Welding)	1
19	Pull Rod Head	1	73	Shaft Clip	1
20	Hex Set Screw	1	74	Wheel Holder Back Shaft	1
21	Gear Shaft	1	75	Wheel Holder Block	1
22	Flat Key	1	76	Wheel Holder Fixed Block	1
23	Handle Holder Cover	1	77	Wheel Holder Forward Shaft	1
24	Handle Holder (Welding)	1	78	Wheel Holder Axis	1
25	Handle Decorating Cover	1	79	Wheel Holder Axis Cover	1
26	Hex Screw	1	80	Spring Gasket	1
27	Lever	1	81	Hex Nut	1
28	Plastic Clamp	1	82	Gearwheel	1
29	Screw	1	83	Bearing	1
30	Hex Bolt	1	84	Shaft Clip	1
31	Spring Gasket	1	85	Hole Clip	1
32	Valve	1	86	Dust Cover	1
33	Grease Seal	1	87	Three Jaw Grinding Head	1
34	Hole Clip	1	88	Compression Spring	1
35	Greasy Blockage	1	89	Gasket	1
36	Tank	1	90	Spring Gasket	1
37	Conical Roller Bearing	1	91	Hex Nut	1
38	Deep Rroove Ball Bearing	1	92	Hex Bolt	1
39	Gear	1	93	Gasket	1
40	Gear	1	94	Plastic Disc	1
41	Gear	1	95	Hex Socket Cap Screws	1
42	Gear	1	96	Triangle Plate	1
43	Gear Output Shaft	1	97	Triangle Plate (Insertion)	1
44	Gear Centre Shaft	1	98	Triangle Plate (Diamond)	1
45	Gear Short Shaft	1	99	Triangle Plate (Diamond)	1
46	Flat Key	1	100	Hex Bolt	1
47	Flat Key	1	101	Gasket	1
48	Shaft Clip	1	102	Plastic Disc	1
49	Bearing	1	103	Hex Socket Cap Screws	1
50	Cylindrical Pin	1	104	Triangle Chassis	1
51	O-Ring	1	105	Triangle Chassis (4 Diamond)	1
52	Box Cover	1	106	Hex Nut	1
53	Hex Socket Cap Screws	1	107	Spring Gasket	1
54	Spring Gasket	1	108	Diamond Grinding Head	1

**SCHEMATIC & PARTS LIST**

S.No.	Description	Qty.	S.No.	Description	Qty.
109	Locknut	1	163	Water Pipe Holder	1
110	Gasket	1	164	End Cap	1
111	Grinding Head	1	165	Tube Connector	1
112	Hook & Loop Disc	1	166	Water Pipe	1
113	Triangle Chassis (Plastic)	1	167	Water Pipe Block	1
114	Hook & Loop Disc	1			
115	Hex Screw	1		ACCESSORIES	
116	Seal	1		2 Tooth Left Hand PCD with 1 Bar, Diamond Counterclockwise (PCD21L)	1
117	Water Tank	1			
118	Motor Cover	1		2 Tooth Right Hand PCD with 1 Bar, Diamond Counterclockwise (PCD21R)	1
119	Hex Socket Cap Screws	1			
120	Gasket	1		3PCD Left - (3PCDL)	1
121	Aluminum Plate Converter	1			
122	Pan Head Screw	1		3 PCD Right, Clockwise - (3PCDR)	1
123	Aluminum Plate Contactor	1			
124	Pan Head Screw	1		Trapezoidal Diamond Block	
125	Motor	1		20 Grit - Red - (TRAP20)	1
126	Motor Shaft Cover	1		20 Grit - Black - (TRAP36)	1
127	Motor With Wheel	1		20 Grit - Blue - (TRAP80)	1
128	Flat Key	1		20 Grit - White - (TRAP120)	1
129	Hex Bolt	1			
130	Spring Gasket	1		Quick Plate for TPSX-1 Floor Grinding Machine (TPSX1QPLATE)	1
131	Gasket	1			
132	Hex Bolt	1		Trapezoidal Magnetic Velcro Adapter for TPS Quickplate (TPSMAGADAPT)	1
133	Hex Nut	1			
134	Motor Baseplate (Welding)	1		2 Tooth PCD with 1 Triangle Carbide Cutter - Left (PCD31CL)	1
135	Hex Socket Cap Screws	1			
136	Gasket	1			
137	Hex Set Screw	1		2 Tooth PCD with 1 Triangle Carbide Cutter - Right (PCD31CR)	1
138	Locknut	1			
139	Flat Gasket	1			
140	Water Pipe Holder	1			
141	Belt	1			
142	Hex Bolt	1			
143	Follower Pulley	1			
144	Flat Key	1			
145	Hex Set Screw	1			
146	Shrouding	1			
147	Gradienter	1			
148	Hex Nut	1			
149	Vacuum Cleaner Retaining Bolt	1			
150	Clip A	1			
151	Clip B	1			
152	Pan Head Screw	1			
153	Hex Nut	1			
154	Suction Inlet	1			
155	Protection Bar	1			
156	Waterproof Deflector	1			
157	Accelerograph Switch	1			
158	Screw	1			
159	Accelerograph Copper Wire	1			
160	Accelerograph Copper Wire	1			
161	Four-Way Valve	1			
162	Tube Connector	1			