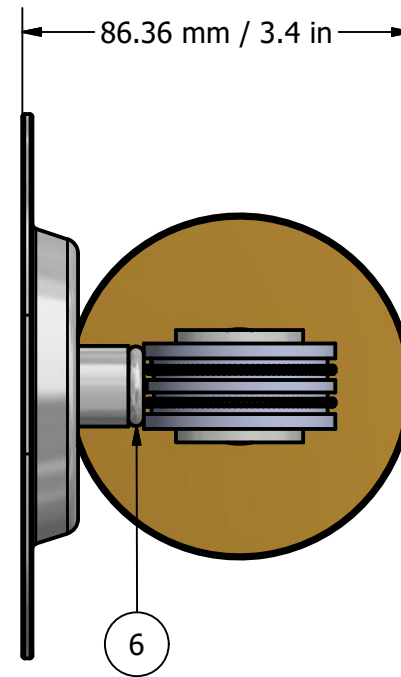
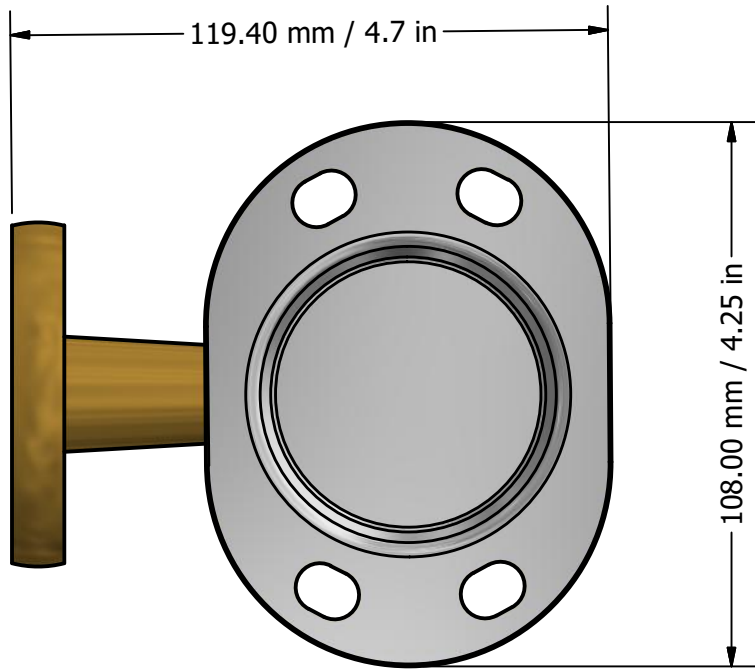
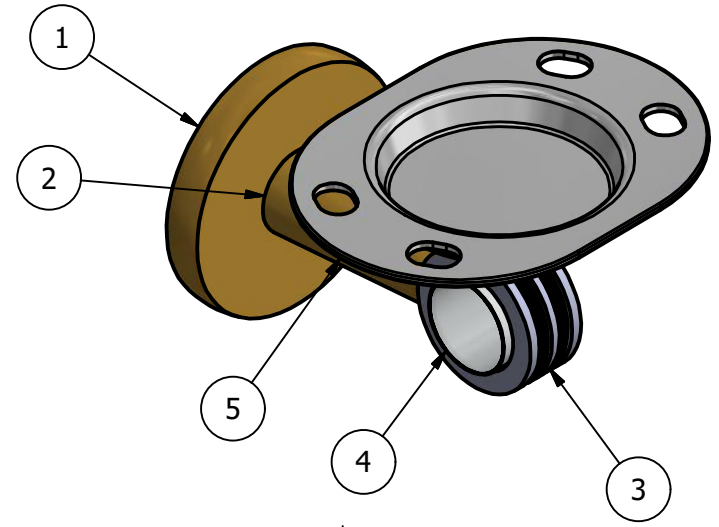


PARTS LIST			
ITEM	QTY	PART NUMBER	DESCRIPTION
1	1	BPRD	BACKPLATE
2	1	CL-TB	POST
3	1	RGDTD-1	RING WITH NEW SIZE
4	1	AC-HHUB	ACRYLIC POST
5	1	HROVT	HOLDER
6	1	CRRD-12	CHECK RING



APPROVED FOR PRODUCTION
 By: RICHARD PAUL
 Date: 10-15-18

UNLESS OTHERWISE SPECIFIED	
.X	± .3mm
.XX	± .15mm
.XXX	± .008mm

UNIT IS IN MM.

DRAWN	10-15-18	IM	COPYRIGHT @ALLIEDBRASS 2018
CHECKED	10-15-18	P.D.	
APPROVED	10-15-18	R.A.	



THIRD ANGLE PROJECTION

MATERIAL:	BRASS
DESCRIPTION:	Clearview Collection Tumbler and Toothbrush Holder w/ Dotted Accent



FINISH	TBD
QTY	TBD
DRAWING NO.	CV-26D
SCALE	1.5:1
SHEET: 1 OF 1	REV 0