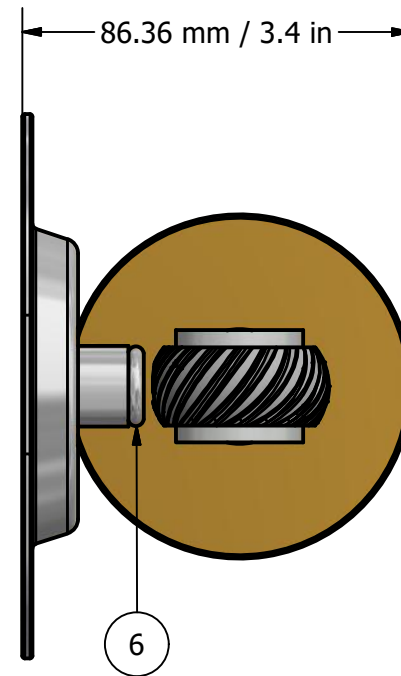
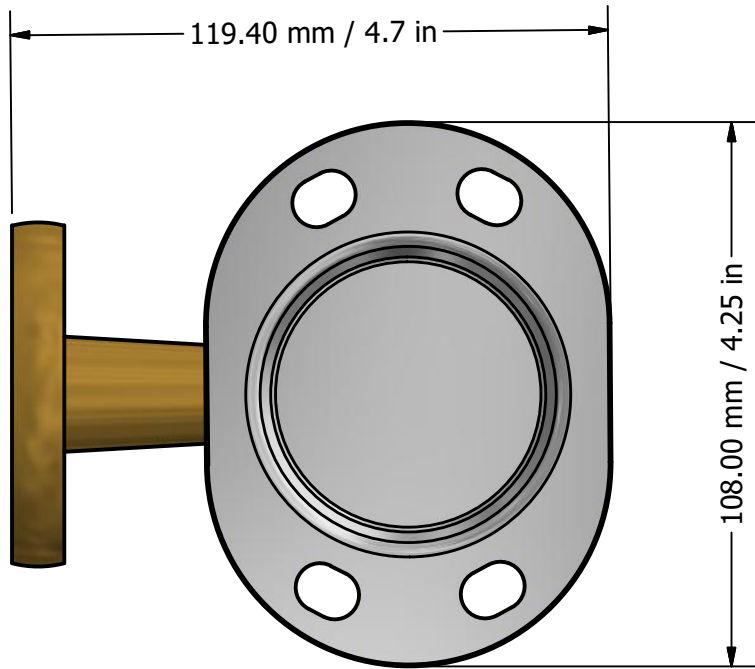
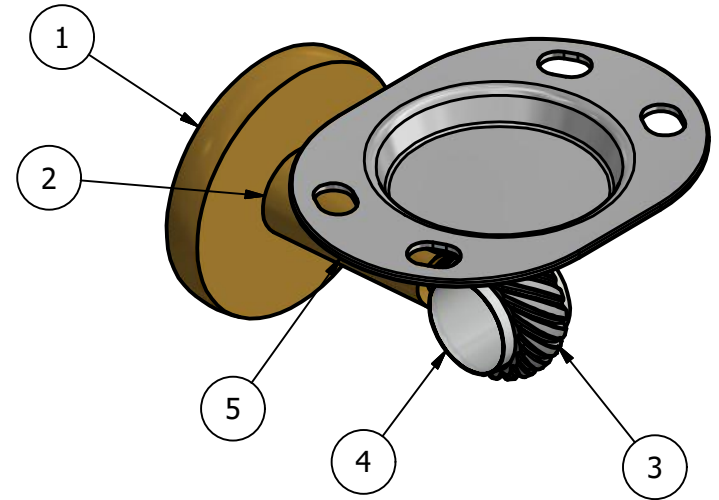


PARTS LIST			
ITEM	QTY	PART NUMBER	DESCRIPTION
1	1	BPRD	BACKPLATE
2	1	CL-TB	POST
3	1	RGDTD-1	RING WITH NEW SIZE
4	1	AC-HHUB	ACRYLIC POST
5	1	HROVT	HOLDER
6	1	CRRD-12	CHECK RING



UNLESS OTHERWISE SPECIFIED	
.X	± .3mm
.XX	± .15mm
.XXX	± .008mm

UNIT IS IN MM.

DRAWN	10-15-18	IM	CHECKED 10-15-18 P.D. APPROVED 10-15-18 R.A.
COPYRIGHT @ALLIEDBRASS 2018			
THIRD ANGLE PROJECTION			

MATERIAL:	BRASS
DESCRIPTION:	Clearview Collection Tumbler and Toothbrush Holder w/ Twisted Accent

APPROVED FOR PRODUCTION
 By: RICHARD PAUL
 Date: 10-15-18

FINISH	TBD
QTY	TBD
DRAWING NO.	REV
CV-26T	0
SCALE	1.5:1 SHEET: 1 OF 1 A4