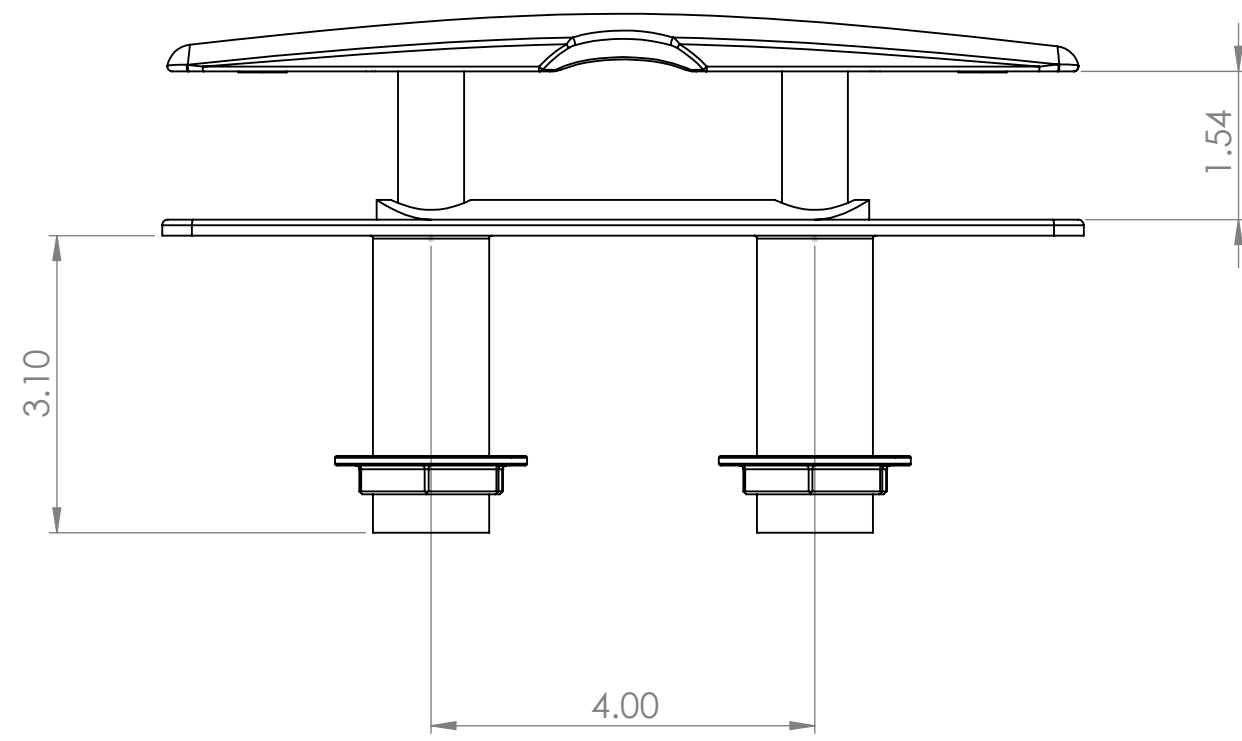
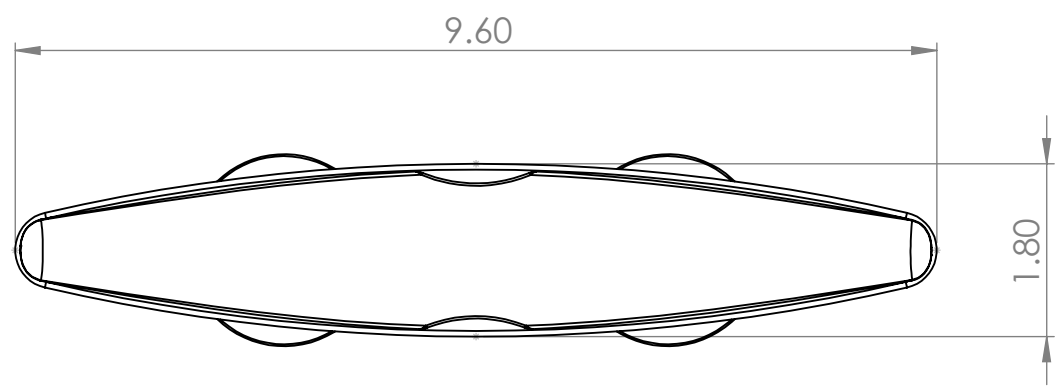


4

3

2

1



**PROPRIETARY AND CONFIDENTIAL**  
 THE INFORMATION CONTAINED IN THIS DRAWING IS THE SOLE PROPERTY OF ACCON MARINE, LLC. . ANY REPRODUCTION IN PART OR AS A WHOLE WITHOUT THE WRITTEN PERMISSION OF ACCON MARINE, LLC. IS PROHIBITED.

		UNLESS OTHERWISE SPECIFIED:		NAME	DATE
		DIMENSIONS ARE IN INCHES		DRAWN	MAR 3.21
		TOLERANCES:		CHECKED	
		FRACTIONAL ±		ENG APPR.	
		ANGULAR: MACH ± BEND ±		MFG APPR.	
		TWO PLACE DECIMAL ±		Q.A.	
		THREE PLACE DECIMAL ±		COMMENTS:	
		INTERPRET GEOMETRIC TOLERANCING PER:		<b>TITLE:</b> <b>460-10 WEBSITE</b> SIZE DWG. NO. REV <b>B 450-10-WEBSITE</b>	
		MATERIAL			
		316 S.S.			
NEXT ASSY	USED ON	FINISH		SCALE: 1:5 WEIGHT: SHEET 1 OF 1	
		POLISHED			
APPLICATION		DO NOT SCALE DRAWING			

4

3

2

1