



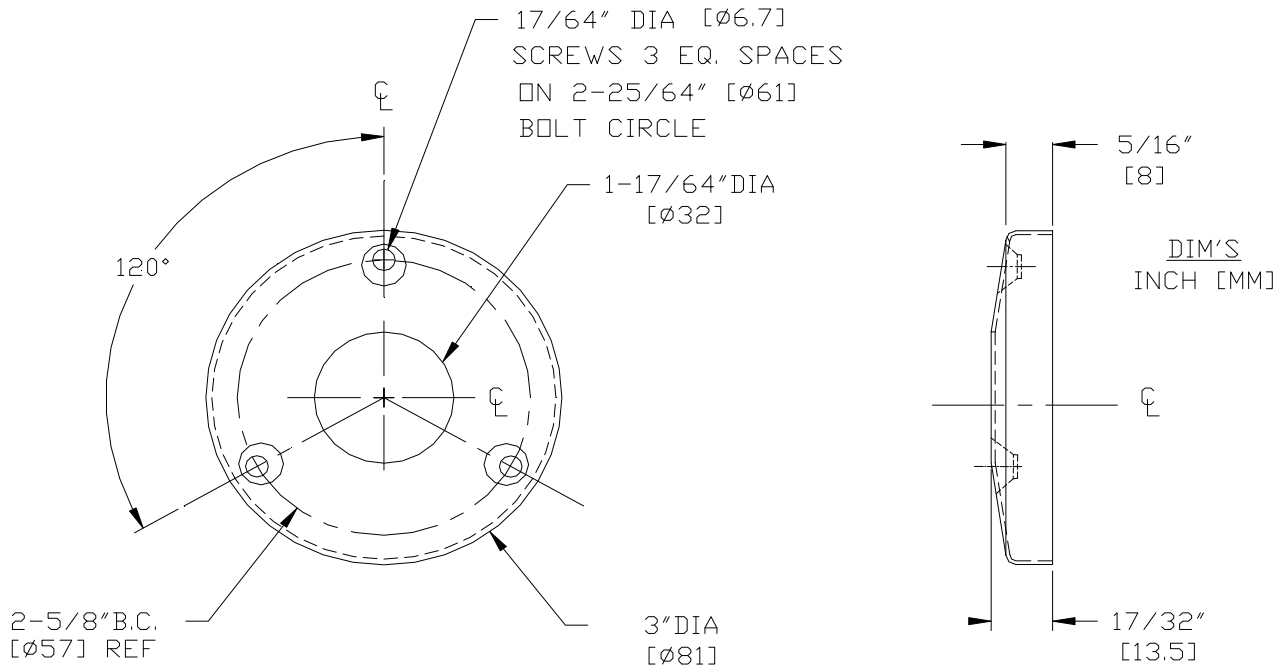
AMERICAN SPECIALTIES, INC.
 441 Saw Mill River Road, Yonkers, NY 10701
 (914) 476.9000 • (914) 476.0688
 www.americanspecialties.com

MODEL №: 1204-1

ISSUED: 5/2014

REVISED:

EXTRA HEAVY-DUTY SHOWER CURTAIN ROD FLANGES



SPECIFICATION

Extra Heavy-Duty Shower Curtain Rod Flanges shall be 20 gauge type 304 stainless steel alloy 18-8. Flanges shall have three (3) dimpled 17/64" diameter (Ø6.7) holes to accept either Ø1/4 (M6) or № 10 (M5) oval head screws (provided by others). Flanges have center holes for 1-1/4" diameter (Ø25) shower curtain rod.

Extra Heavy-Duty Shower Curtain Rod Flanges shall be Model № 1204-1 of American Specialties, Inc., 441 Saw Mill River Road, Yonkers, New York 10701-4913

INSTALLATION

Install rod in straight section between two (2) mounting flanges with no more than 1/4" (6) total wall clearance. Rods longer than 72" (1829) or other than straight may require ceiling hanger Model № 1204-C18. When used with non-straight rods flange retainers 00021731 are required. For use with standard shower curtain model Nos 1200 or 1200-V having 72" (1829) length and standard hooks (Model № 1200-SHU) install unit with rod centerline 74-1/2" (1892) maximum above finished floor (MAX AFF) or 67" (1702) above tub rim to obtain 6" (152) bottom overlap. Seal screw holes in walls under flange to prevent any sprayed water from possibly infiltrating the wall structure.

OPERATION

Rod is held captive by flanges when installed properly. Rod may rotate in flanges if turned by hand. Correctly installed rod and flanges will support specified shower curtain(s) hung on hooks 1200-SHU or others (by others). Rod will bend and pull from flanges if significant body weight is suspended.