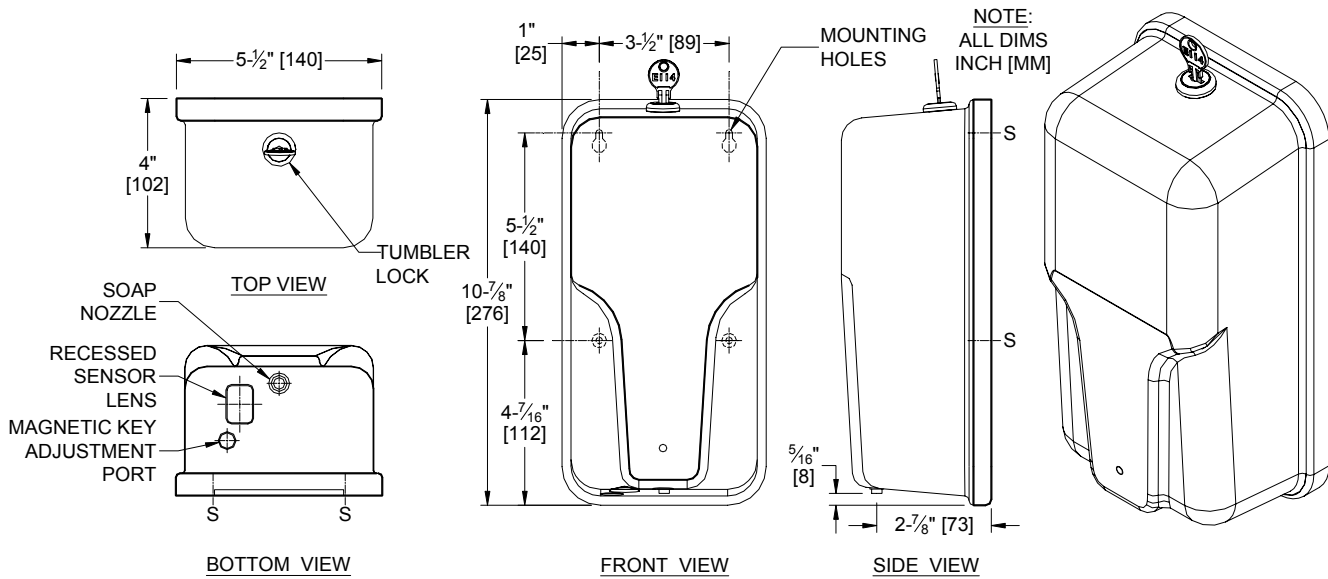




**AUTOMATIC SOAP DISPENSER**



**SPECIFICATION**

Automatic Soap Dispenser shall hold 33.8 oz (1000 ml) of soaps and lotions within the viscosity range of 50 – 3500 cP (MPa•s) and dispense in cycles of owner-adjustable single shot volume ranging from 0.02 oz to 1/2 oz (1/2 ml to 15 ml) with factory initial setting of 0.034 oz (1 ml). Operation is initiated by hands-free sensor controlled by microprocessor digital circuitry powered by four (4) AA size 1.5 V batteries (supplied by others) in a concealed compartment and locked inside unit bottom. Unit shall be fabricated of 22 gage type 304 stainless steel alloy 18-8 (.031" [0.8] thick) with a uniform satin finish over all exposed surfaces. Cover shall have lock keyed alike with other ASI washroom accessories. Unit shall have an LED to indicate function and operational condition on front face. Internal tank shall be translucent to show quantity of soap remaining at any time when cover is opened and shall have an internal shut-off valve to facilitate filling and external storage of full tanks. Owner shall easily and securely adjust dispensing cycle with magnetic fob provided. Unit shall mount to wall on concealed base plate with screws secured under locked cover. Mounting template and Owner's Manual shall be provided with unit in each carton.

**Automatic Soap Dispenser shall be Model № 20364 of American Specialties, Inc., 441 Saw Mill River Road, Yonkers, NY 10701-4913**

**INSTALLATION**

Secure concealed base plate to wall with four (4) self-tapping screws (supplied: two (2) № 8 x 3/4" (M4.5 x 20) pan head & two (2) № 8 x 3/4" (M4.5 x 20) flat head) through mounting holes provided in plate into plastic wall anchors (supplied) or other suitable mounting system (provided by others). Install four (4) AA size 1.5 V cells (supplied by others) in concealed battery compartment according to polarity indication and snap-latch battery door. Fill tank with appropriate viscosity soap to correct level and lock door. Locking door activates concealed button to initiate operation. Retain key & fob provided for future access.

**OPERATION**

Unit shall operate each time an object is positioned within the sensing distance of 3-1/8" (80) ± 3/8" (10) from unit bottom. Owner may change dispensing cycle at any time with magnetic fob provided through tamperproof port. A drop of 0.034 oz (1 ml) of soap will be pumped out of the nozzle on unit bottom if unit is left in factory setting. Unit will dispense soap on each activation while batteries are at suitable charge level (LED is not flashing) and correct viscosity soap is present in the tank. Door has lock to provide security and vandal resistance after each soap refill and battery change service interval.