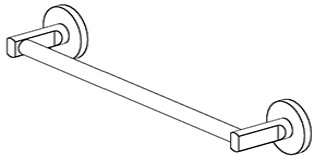
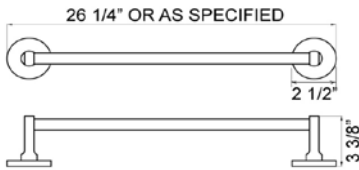
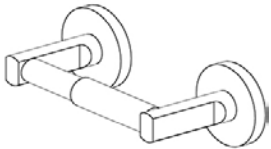
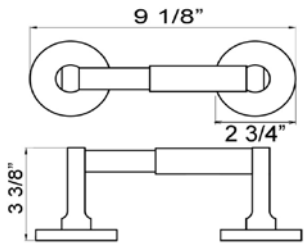

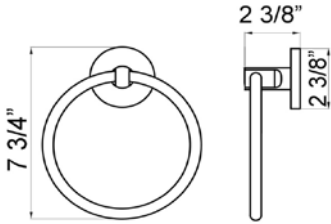
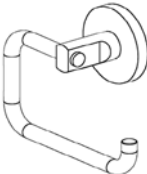
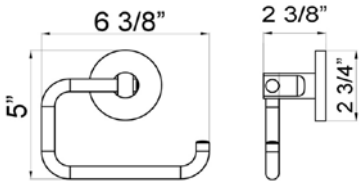
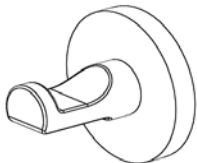
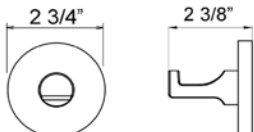


# BETTER HOME PRODUCTS

## BAKER BEACH COLLECTION SPECIFICATIONS

### 9600 SERIES CHROME FINISH

		<p><b>BHP</b> ITEM# 9624CH 24" TOWEL BAR SET</p> <p><b>Towel Bar</b> – surface mount, concealed screw application, including 2Pcs steel mounting brackets, 4Pcs #8 x 1 1/4" mounting screws and 4 Pcs plastic anchors</p> <p><b>Posts</b> – electroplated die cast zinc alloy</p> <p><b>Bar</b> – 3/4" OD, 0.025" wall thickness aluminum. Available in 18", 24" and 32" length</p>
		<p><b>BHP</b> ITEM# 9609CH PAPER HOLDER</p> <p><b>Paper Holder</b> - surface mount, concealed screw application, including 2Pcs steel mounting brackets, 4Pcs #8 x 1 1/4" mounting screws and 4 Pcs plastic anchors</p> <p><b>Posts</b> - electroplated die cast zinc alloy</p> <p><b>Roller</b> – plated metal roller with spring tension</p>
		<p><b>BHP</b> ITEM# 9604CH TOWEL RING</p> <p><b>Towel Ring</b> - surface mount, concealed screw application, including 1Pc steel mounting bracket, 2Pcs #8 x 1 1/4" mounting screws and 2 Pcs plastic anchors</p> <p><b>Post</b> - electroplated die cast zinc alloy</p> <p><b>Ring</b> – electroplated aluminum</p>
		<p><b>BHP</b> ITEM# 9607CH EURO STYLE PAPER HOLDER</p> <p><b>Paper Holder</b> - surface mount, concealed screw application, including 1Pc steel mounting bracket, 2Pcs #8 x 1 1/4" mounting screws and 2 Pcs plastic anchors</p> <p><b>Post</b> - electroplated die cast zinc alloy</p>
		<p><b>BHP</b> ITEM# 9601CH ROBE HOOK</p> <p><b>Robe Hook</b> – surface mount, concealed screw application, including 1 Pc steel mounting bracket, 2Pcs #8 x 1 1/4" mounting screws and 2 Pcs plastic anchors.</p> <p><b>Base &amp; Hook</b> - electroplated die cast zinc alloy</p>