

BETTER HOME PRODUCTS

100 SERIES HYDRAULIC DOOR CLOSERS



10 Year Mechanical Warranty and 5 Year Finish Warranty

- * Standard Duty Sized Door Closer. Sizes 2, 3, 4 and 5
- * ANSI 156.4 Grade 2. UL 10C 3 Hour Fire Rated
- * High Tensile Precision Cast Aluminum Housing
- * Hardened Steel Rack and Pinion Mechanism
- * Streamlined 9-1/16" x 3/4" Mounting Hole Fits New Construction Application and Retrofits Traditional Closer
- * Metal Screws and Wood Screws Included. Sex Bolts Optional.
- * Packed With Parallel Arm Bracket



Grade 2



LISTED

ITEM NUMBERS:

- DC102BCSN - Satin Nickel (Aluminum) Finish. Power Size 2.
- DC102BCBLK - Matte Black Finish. Power Size 2.
- DC103BCSN - Satin Nickel (Aluminum) Finish. Power Size 3.
- DC103BCBLK - Matte Black Finish. Power Size 3.
- DC104BCSN - Satin Nickel (Aluminum) Finish. Power Size 4.
- DC104BCBLK - Matte Black Finish. Power Size 4.
- DC105BCSN - Satin Nickel (Aluminum) Finish. Power Size 5.
- DC105BCBLK - Matte Black Finish. Power Size 5.

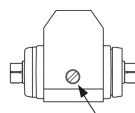
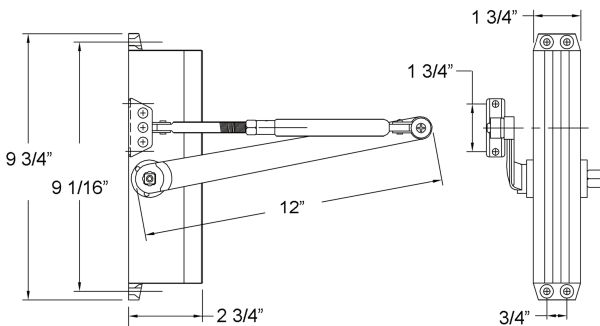
FEATURES:

- * Universal Application. Non-Handed for Standard, Top Jamb or Parallel Arm Installation
- * Standard Adjustable Back-Check Function (BC)
- * Adjustable Closing and Latching Speed by Two Separate Regulating Valves
- * For Use on Metal, Wood or Fiberglass Doors

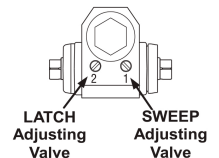
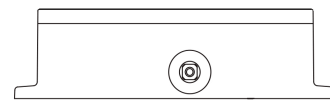
RECOMMENDED DOOR SIZES & WEIGHT:

* For doors subject to severe wind or draft conditions, or when installed with a parallel arm bracket, the next power size up, from the below chart, is needed

Power Size:	2	3	4	5
Door Wt.:	35-100 lbs	80-145 lbs	120-187 lbs	170- 245 lbs
Max Door Size:	36"	42"	48"	54"



BACK CHECK
Adjusting Valve



LATCH
Adjusting Valve
SWEEP
Adjusting Valve

CROSS REFERENCE

BHP	CALROYAL	NORTON	YALE	DORMA	LCN
100	400	1600	50	TS77&MA200	1050

CLOSER ADJUSTMENT