
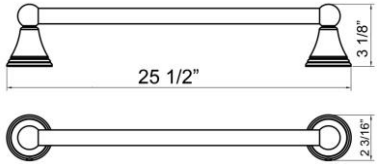
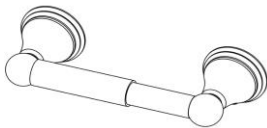
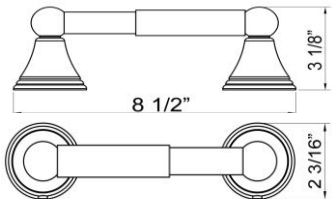

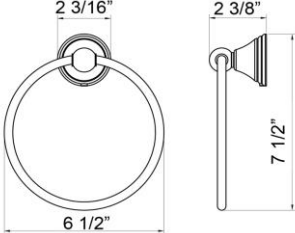
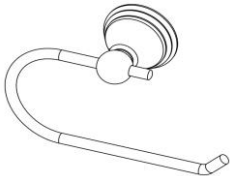
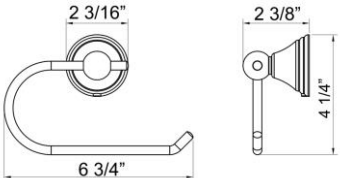
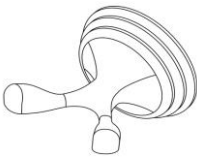
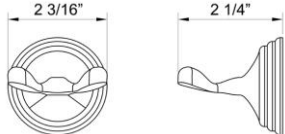


BETTER HOME PRODUCTS

LOMBARD COLLECTION

CHROME

		<p>BHP ITEM# 5424CH 24" TOWEL BAR SET</p> <p>Towel Bar – surface mount, concealed screw application, including 2Pcs steel mounting brackets and 4Pcs #8 x 1 1/4" mounting screws with plastic anchors</p> <p>Posts – electroplated die cast zinc alloy</p> <p>Bar – 3/4" OD, 0.025" wall thickness plated aluminum. Available in 18", 24" and 32" length</p>
		<p>BHP ITEM# 5409CH PAPER HOLDER</p> <p>Paper Holder - surface mount, concealed screw application, including 2Pcs steel mounting brackets and 4Pcs #8 x 1 1/4" mounting screws with plastic anchors</p> <p>Posts - electroplated die cast zinc alloy</p> <p>Roller – plated metal roller with spring tension</p>
		<p>BHP ITEM# 5404CH TOWEL RING</p> <p>Towel Ring - surface mount, concealed screw application, including 1Pc steel mounting bracket and 2Pcs #8 x 1 1/4" mounting screws with plastic anchors</p> <p>Post - electroplated die cast zinc alloy</p> <p>Ring – electroplated aluminum</p>
		<p>BHP ITEM# 5407CH PAPER HOLDER</p> <p>Paper Holder - surface mount, concealed screw application, including 1Pc steel mounting brackets and 2Pcs #8 x 1 1/4" mounting screws with plastic anchors</p> <p>Posts - plated die cast zinc alloy</p> <p>Hook - plated solid brass</p>
		<p>BHP ITEM# 5402CH DOUBLE ROBE HOOK</p> <p>Robe Hook – surface mount, concealed screw application, including 1 Pc steel mounting bracket and 2Pcs #8 x 1 1/4" mounting screws with plastic anchors. Electroplated die cast zinc alloy.</p>