

— Instruction Manual —  
**MODEL BA778**  
 Heavy Duty Playground Pole



Customer Service  
 (800) 247-7668

<b>PARTS LIST</b>					
<b>Item</b>	<b>Qty</b>	<b>Description</b>	<b>Item</b>	<b>Qty</b>	<b>Description</b>
A	1	Backboard Mounting Bracket	K	2	7/16" Flat Washer
B	3	4-1/2" Band Clamp	L	2	7/16" Lock Washer
C	2	7/16" x 2" Carriage Bolt	M	2	4-1/2" U-Bolt
D	2	3/8" x 1" Hex Bolt	N	2	Backboard Brace
E	2	3/8" Lock Washer	O	2	1/2" Set Screw, Square Head
F	2	3/8" Flat Washer	P	2	1/2" Jam Nut
G	3	5/16" x 2" Carriage Bolt	Q	4	1/2" Flat Washer
H	3	5/16" Flange Nut	R	4	1/2" Lock Washer
I	1	4-1/2" Pole Cap	S	4	1/2" Hex Nut
J	2	7/16" Hex Nut			

- ◆ Inspect all contents prior to installation. Report any missing parts to dealer immediately.
- ◆ **Read all instructions before proceeding.**

<b>TOOLS/MATERIALS REQUIRED</b>	
2 Ea. 9/16" Combination Wrench	1 Ea. Level
2 Ea. 5/8" Combination Wrench	1 Ea. Tape Measure
1 Ea. 3/4" Combination Wrench	1 Ea. 12" Post Hole Digger and/or a Shovel
1 Ea. Adjustable Wrench	8-10 Ea. 60# Bag of Premix Concrete

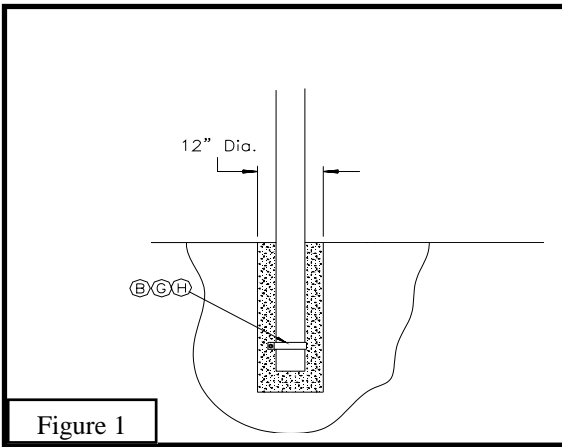


Figure 1

1. Select the location for the concrete base footing. Dig a 12" diameter hole that is a minimum of 48" deep. In areas where the normal frost line is below 48" it is advisable to dig to the normal frost line. (Consult a local concrete contractor if there is any question.)

Reference (**Figure 1**)

2. Make sure that you have a broomstick or similar pole to vibrate air pockets out of concrete. The 12" diameter by 48" deep hole will require approximately 3.25 cubic ft. of 3000 PSI concrete (8 to 10 60# bags of premix concrete). You will need to adjust the amount depending on the size of hole you prepared. Having the proper amount of concrete before you start will ensure proper strength of the footing.

3. Mix concrete according to the directions on the bag. It is advantageous to have the mixture "wet". This will increase your working time and allow batches to mix in the hole. Pour the hole full to ground level. Attach band clamp to bottom end of pole and insert pole into concrete while vibrating concrete to allow it to surround the pole completely. The pole height from the ground should be 11 feet (see **Figure 4**).
4. Clean excess concrete from pole. Level the pole in the hole and allow the footing to cure for seven (7) days. Only after the concrete has cured for seven days should you proceed.
5. Seven days have passed. Secure the Extension Arm to the pole at a distance of 9'8" to the bottom of the arm (see **Figure 4**) to the playing surface with the 4-1/2" U-bolts (M), 1/2" Flat Washers (Q), 1/2" Lock Washers (R), and 1/2" Hex Nuts (S). **NOTE:** Middle hole does not require a Flat Washer (Q) (see **Figure 2**).
6. Assemble rim and backboard to the *Backboard Mounting Bracket* (A) using the hardware provided with the rim or backboard. Slide the 4-1/2" Band Clamps (B) on to the Extension Arm and attach the *Backboard Mounting Bracket* (A) assembly containing the backboard and rim to the end of the Extension Arm with 1/2" Square Head Set Screws (O) as shown in (**Figure 2**) making sure rim is level. Fasten *Backboard Braces* (N) to the backboard with 7/16" x 2" Carriage Bolts (C), 7/16" Hex Nuts (J), 7/16" Flat Washers (K), 7/16" Lock Washers (L), or the 3/8" x 1" Hex Bolt (D), 3/8" Lock Washer (E) and 3/8" Flat Washer (F), then to the 4-1/2" Band Clamps (B) with 5/16" x 2" Carriage Bolts (G), and 5/16" Flange Nuts (H) as shown in (**Figure 3**).

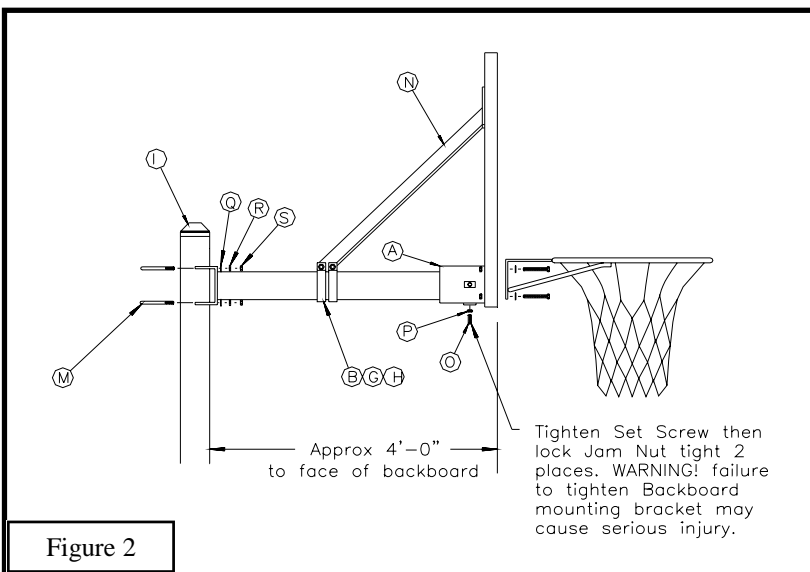


Figure 2

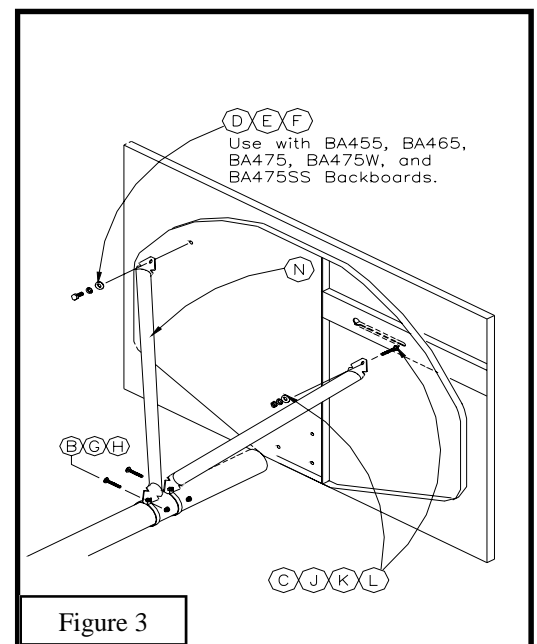


Figure 3

NOTE: Some bending of Backboard braces may be required for installation.

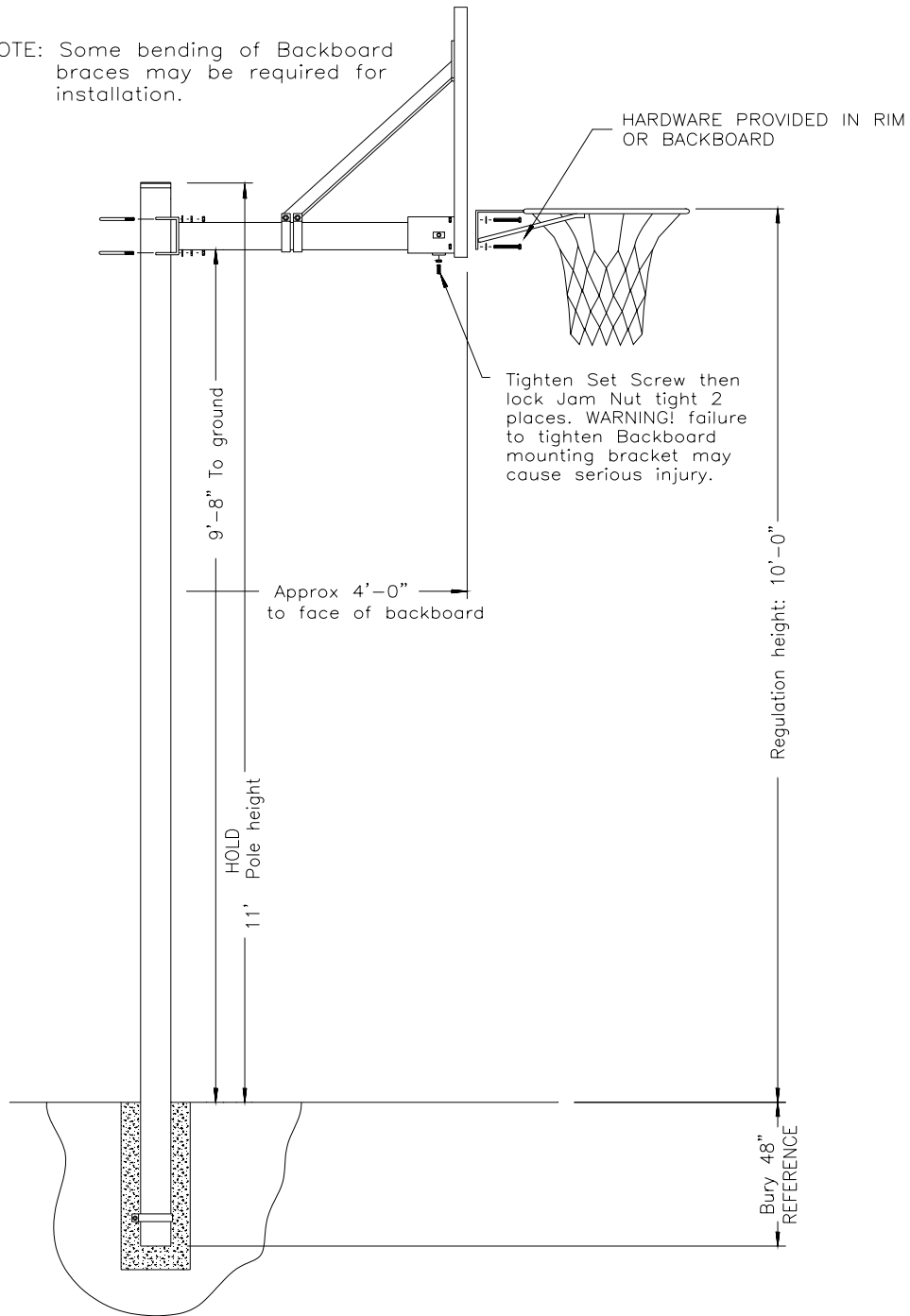


Figure 4