

# Instruction Manual

# MAX™



Max Portable/Adjustable Basketball System

Customer Service  
(800) 247 7668

BA853A, BA853G AND BA853GXL

PARTS LIST					
Item	Qty	Description	Item	Qty	Description
A	1	Base Assembly	P	1	Height Adjustment Crank
B	1	Left Hand Protection Pad	Q	7	Shock Bushings
C	1	Right Hand Protection Pad	R	2	1/2" x 6" Hex Bolt (pre-installed on system)
D	1	Center Protection Pad	S	1	1/2" x 4 1/2 Hex Bolt
E	1	Pole Protection Pad	T	6	1/2" Lock Nut
F	2	4" Square U-Bolt	U	2	1/2" x 8" Hex Bolt
G	12	1/4" Flat Washer	V	1	1/2" x 4" Hex Bolt
H	4	1/2" Hex Nut	W	1	Rim Height Indicator
I	4	1/2" Lock Washer	X	1	Backboard Padding (if appropriate)
J	12	1/4" x 1" Hex Bolt	Y	1	Backboard (appropriate to system)
K	1	Weight Cover	Z	1	Rim (appropriate to system)
L	1	Vertical Pole	AA	1	Backboard Mounting H-Frame (appropriate to system)
M	1	Horizontal Extension Arm	BB	10	1/2" Flat Washer
N	1	Horizontal I-Rod	**	1	Hardware Supplied w/ Backboard Mounting H-Frame
O	3	Safety Shock			

- ◆ Inspect all contents prior to installation. Report any missing parts to dealer immediately.
- ◆ Read all instructions before proceeding.
- ◆ Save this instruction in the event that the manufacturer must be contacted in the future.

### Warning!

While gym floor installers and refinishers often indicate floors are OK to walk or play on in 7-10 days after oil based polyurethane finishes are applied, in reality, it can actually take up to 30 days for all the chemicals in the polyurethane to dissipate. Chemical reactions between the floor finish and certain materials including urethane feet contacting the floor can cause permanent discoloration. Placement of this product on floors prior to the 30-day final cure period may risk discoloration that would not be covered by the manufacturer's warranty.

### Warning!

Young players are at risk when they slam dunk on popular lowered height basketball systems.  
PLEASE take responsibility for controlling dangerous activity.

**Warning!**

Assembly or operation without required 850# of weight (not included) in position under weight cover will result in unit tipping over.

1. The roll around *Base Assembly* (A) is shipped pre-assembled and ready for installation of the 4" square pole system, backboard and goal. See Figure 1.
2. Make sure the *Base Assembly* (A) rolls freely by pulling outward on the handle in the center of the front triangle. This will engage the front caster and allow easy movement. When the handle is returned to its front feet, it is ready for play. These feet have been factory leveled, however they are adjustable if necessary. See Figure 1.
3. Stand 25 each 4" X 8" X 16" solid concrete blocks (850# not provided) on the base and install the *Weight Cover* (K). DANGER! Do not proceed with assembly until the weights are installed. See Figure 1.

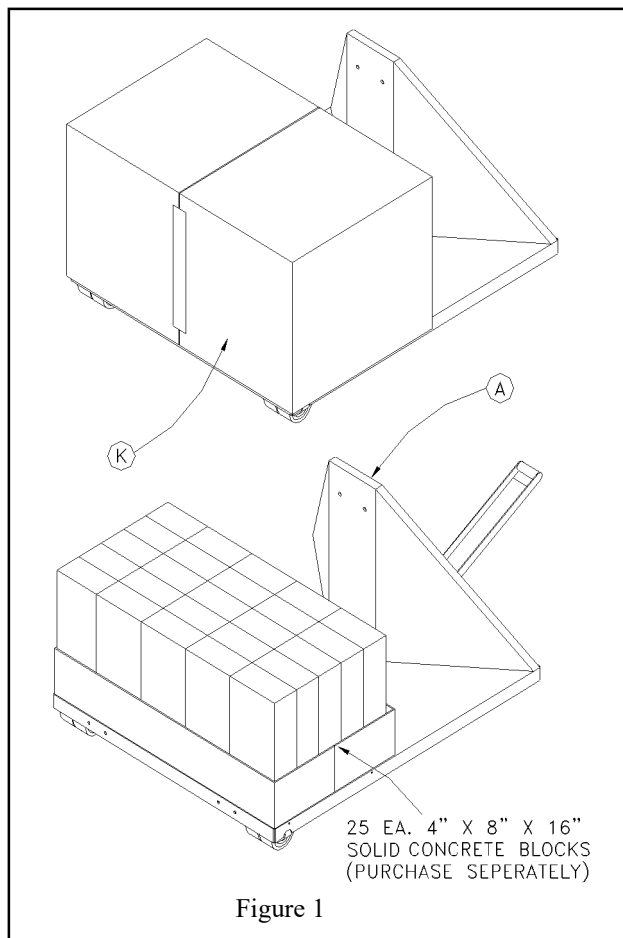


Figure 1

4. Attach the *Vertical Pole* (L) to the base using the 4" *Square U-Bolts* (F), 1/2" *Lock Washers* (I) and 1/2" *Hex Nuts* (H) provided. Make sure the *Vertical Pole* (L) is square and plumb before tightening. See Figure 2.
5. Attach *Left Hand Protection Pad* (B), *Right Hand Protection Pad* (C), *Center Protection Pad* (D) and *Pole Protection Pad* (E) using 1/4" *Flat Washers* (G) and 1/4" X 1" *Hex Bolts* (J) provided. The holes are threaded for easy installation. See Figure 2.

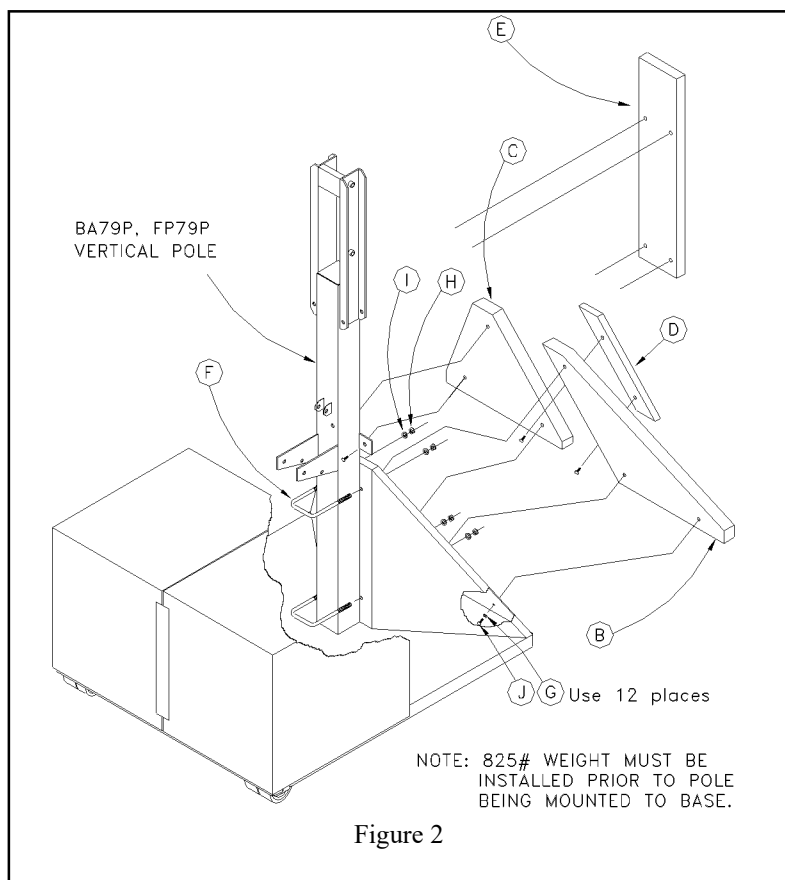
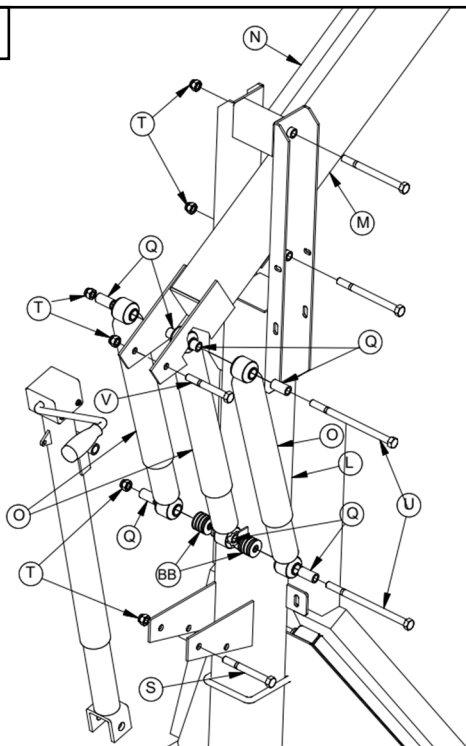


Figure 3



6. Slide the *Horizontal Extension Arm (M)* through the opening in the *Vertical Pole (L)*. Assemble with *1/2" X 6" Hex Bolt (R)* and *1/2" Lock Nut (T)*. See Figure 3.
7. Install bottom of three *Safety Shocks (O)* using *1/2" X 8" Hex Bolts (U)*, *1/2" Lock Nuts (T)*, Ten *1/2" Flat Washers (BB)* and three *Shock Bushings (Q)* onto the small tabs on the *Vertical Pole (L)*.
8. Attach top of *Safety Shocks (O)* to *Horizontal Extension Arm (M)* using *1/2" X 8" Hex Bolt (U)*, *1/2" Lock Nut (T)* and four *Shock Bushings (Q)*. See Figure 3.

**NOTE:** Safety Shocks should be mounted with the outer telescoping tube at the top. See Figure 3.

9. Install *Height Adjustment Crank (P)* with handle at the top using *1/2" X 4" Hex Bolt (V)* and *1/2" Lock Nut (T)* onto the *Horizontal Extension Arm (M)*. Use *1/2" X 4 1/2" Hex Bolt (S)* and *1/2" Lock Nut (T)* to attach at *Vertical Pole (L)*. See Figure 3.

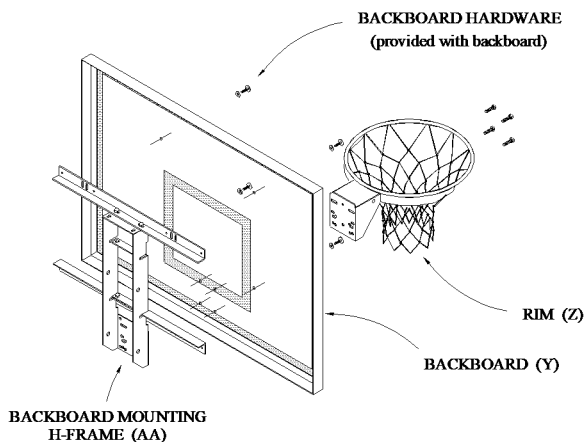
**NOTE:**  
Leave all *1/2" Lock Nuts (T)* installed from instruction #6 through #9 loose enough so that all components move freely.

10. Install the *Horizontal I-Rod (N)* to the *Vertical Pole (L)* with *1/2" X 6" Hex Bolt (R)* and *1/2" Lock Nut (T)*. See Figure 3.

11. Use the instructions supplied with the *Backboard Mounting H-Frame (AA)* you have purchased and pre-assemble the *Backboard (Y)* and the *Backboard Mounting H-frame (AA)*. See Figure 4A and 4B.
12. Mount the selected *Rim (Z)* to the backboard/mounting H-frame assembly using the hardware provided with the *Rim (Z)*. See Figure 4A and 4B.

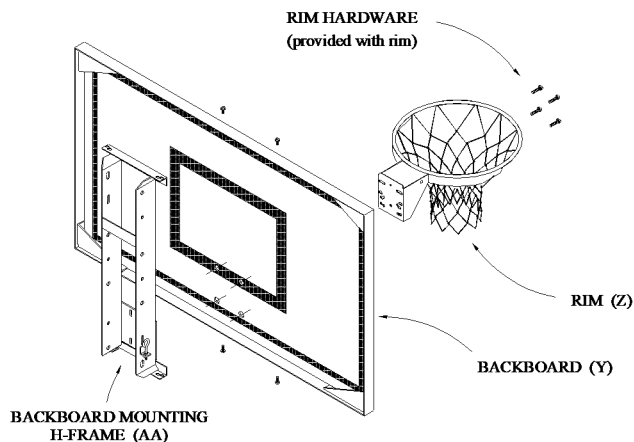
**WARNING! Do not overtighten the bolts that protrude through the backboard on systems with BA46AW Acrylic Backboards.**

Figure 4A



BA853A System

Figure 4B



BA853G and BA853GXL System

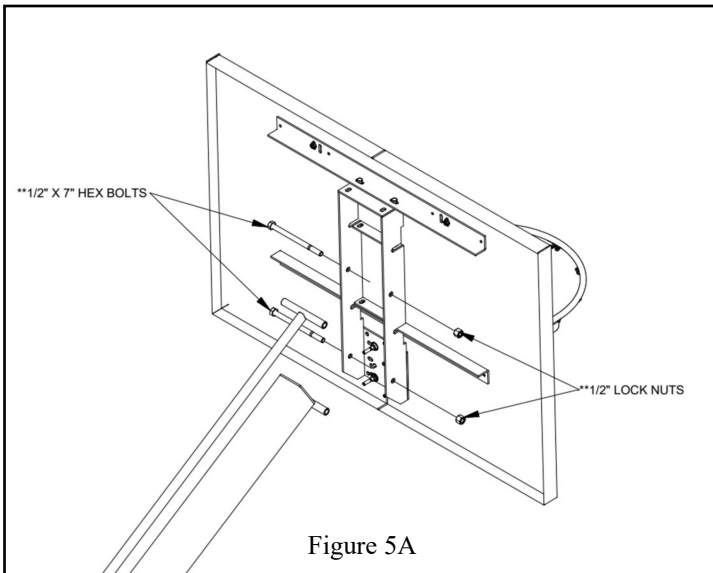


Figure 5A

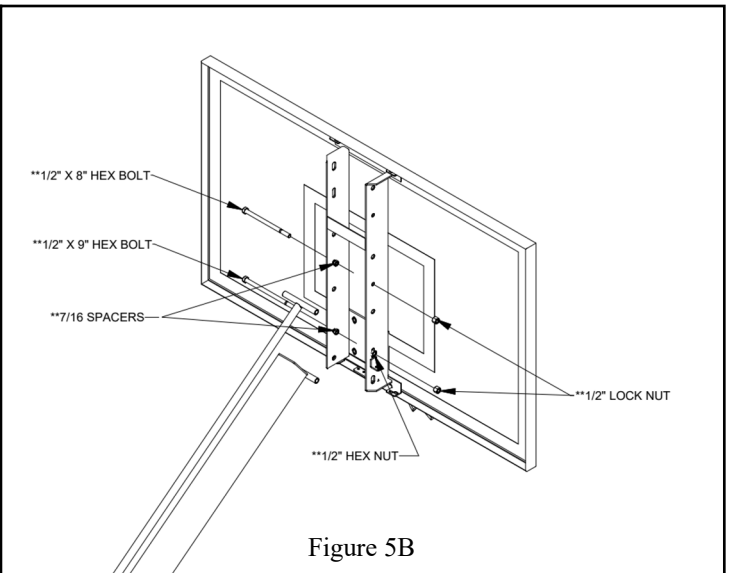


Figure 5B

13. Tighten all hardware installed from instructions #10 and #11 making sure that the *Rim (Z)*, *Backboard (Y)* and the *Backboard Mounting H-Frame (AA)* are square to each other.
14. Mount the entire rim/board/mounting H-frame assembly to the *Horizontal Extension Arm (M)* and the *Horizontal I-Rod (N)* using hardware included with *Backboard Mounting H-Frame (AA)*. This task is most easily accomplished when the pole has been cranked to the lowest possible position and the bottom bolt is inserted first. (\*\* refers to hardware supplied w/ Backboard Mounting H-frame.)  
See Figure 5A and 5B.

For BA18AHF Backboard Mounting Frame (Figure 5A)		For BA36GHF Backboard Mounting Frame (Figure 5B)	
**	2 each 1/2" X 7" Hex Bolts	**	1 each 1/2" X 8" Hex Bolt
**	2 each 1/2" Lock Nuts	**	1 each 1/2" x 9" Hex Bolts
		**	2 each Small 7/16" Spacer
		**	2 each 1/2" Lock Nut
		**	1 each 1/2" Hex Nut

15. Once all hardware has been installed, check the squareness of the board in every direction. The perpendicularity of the board face in relationship to the playing surface can be adjusted in one of two ways. First, check to make sure the *Backboard (Y)* is parallel to the face of the *Backboard Mounting H-Frame (AA)*. If not, adjust using the slots in the bracket and board mounting angle. Alternatively, if the *Vertical Pole (L)* is not perpendicular to the playing surface, it can be adjusted at the base using the adjustable foot pads underneath the front two corners of the base.
16. When it is determined that everything is square, check to make sure that all hardware has been tightened. If the adjustment up and down with the hand crank is too stiff, it is probable that you have overtightened one of the bolts at the pivot points creating a bind.

**WARNING!**  
**OVERTIGHTENING OF PIVOT POINT BOLTS WILL RESULT IN NON-WARRANTABLE  
 DAMAGE TO THIS BASKETBALL SYSTEM**

17.. To attach the *Rim Height Indicator Label* (W), first crank up the unit until the top of the rim is 10' from the playing surface. Using a pencil, make a line on the *Safety Shock* (O) at the bottom end of the outer tube. Crank the unit to its lowest possible position and affix the label to the inner shock tube lining up the pencil mark and the 10' indicator line on the label. See Figure 6.

